
**Kaishan Technologies
Rotary Screw Air
Compressor**

**KRSB 10-15HP
Parts Manual**

October 2022

Serial numbers ending with S01 or 6 digit

(115PSI/125PSI/150PSI/190PSI/208-230V/460V/575V/60HZ/BELT/ASME/CRN/UL/CUL)

TABLE OF CONTENTS

Service Parts	3
Serial Number	3
Fluid Specification	4
Spare Parts	5
Airend and Inlet valve.....	6
Base Mounting.....	8
Reservoir	10
Driving System and Electrical Motor	12
Air Cooler	14
Fluid Piping.....	16
Air Piping.....	18
Cabinet.....	20
Electrical Enclosure	22
Decals	28
Standard Terms and Conditions.....	31
Appendix.....	34
Contact Information	37

Service Parts


The following information must be provided for ordering service parts:

1. The serial number of unit must be provided. It will be verified to ensure correct replacement parts are ordered.
2. Service parts must be ordered from closest authorized distributor.
3. Exact part number, quantity and delivery method must be provided.

All service parts must be ordered through nearest authorized distributor. Insist on genuine manufacturer parts only. Failure to do so may void product warranty.

Serial Number

The unit serial number can be found on serial number tag, which is located on the cabinet corner post of the unit. The serial number tag is shown as follows.

	SCREW AIR COMPRESSOR
MODEL	<input type="text"/>
SERIAL NUMBER	<input type="text"/>
MOTOR POWER	<input type="text"/> HP
DATE OF MFG	<input type="text"/>
KAISHAN COMPRESSOR, Loxley, AL USA	
04001 10008 22	

Fluid Specification

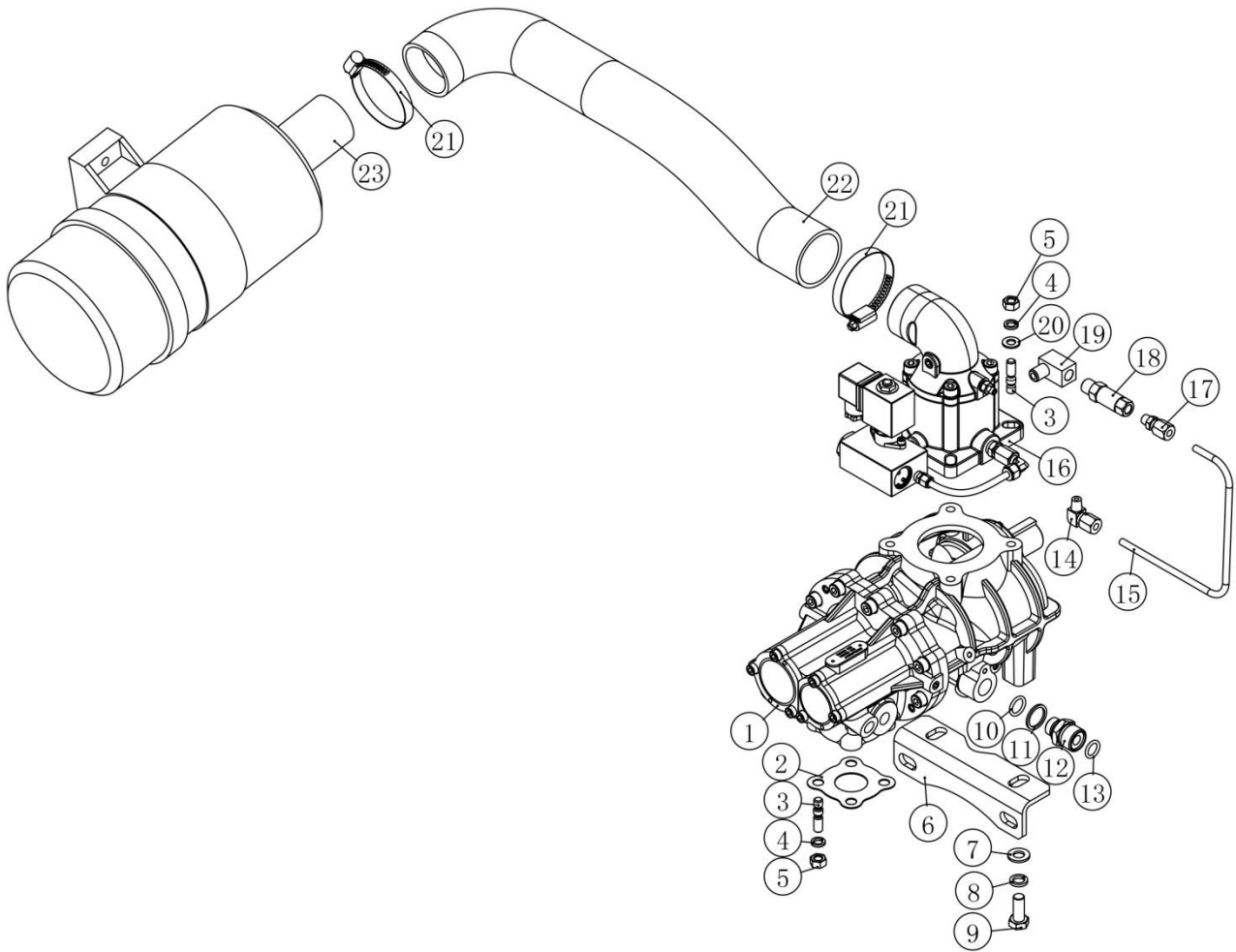
All KRSB Compressors must use Kaishan Technologies recommended fluid for maintenance.

Spare Parts

Recommended spare parts are shown as follows:

ITEM	No.	QTY	PART NUMBER	DESCRIPTION		
1		1	537702 320210	Air filter element		
2		1	07709 94172 00	Oil filter		
3		1	07704 30141 77	Fluid/air separator element		

Airend and Inlet valve



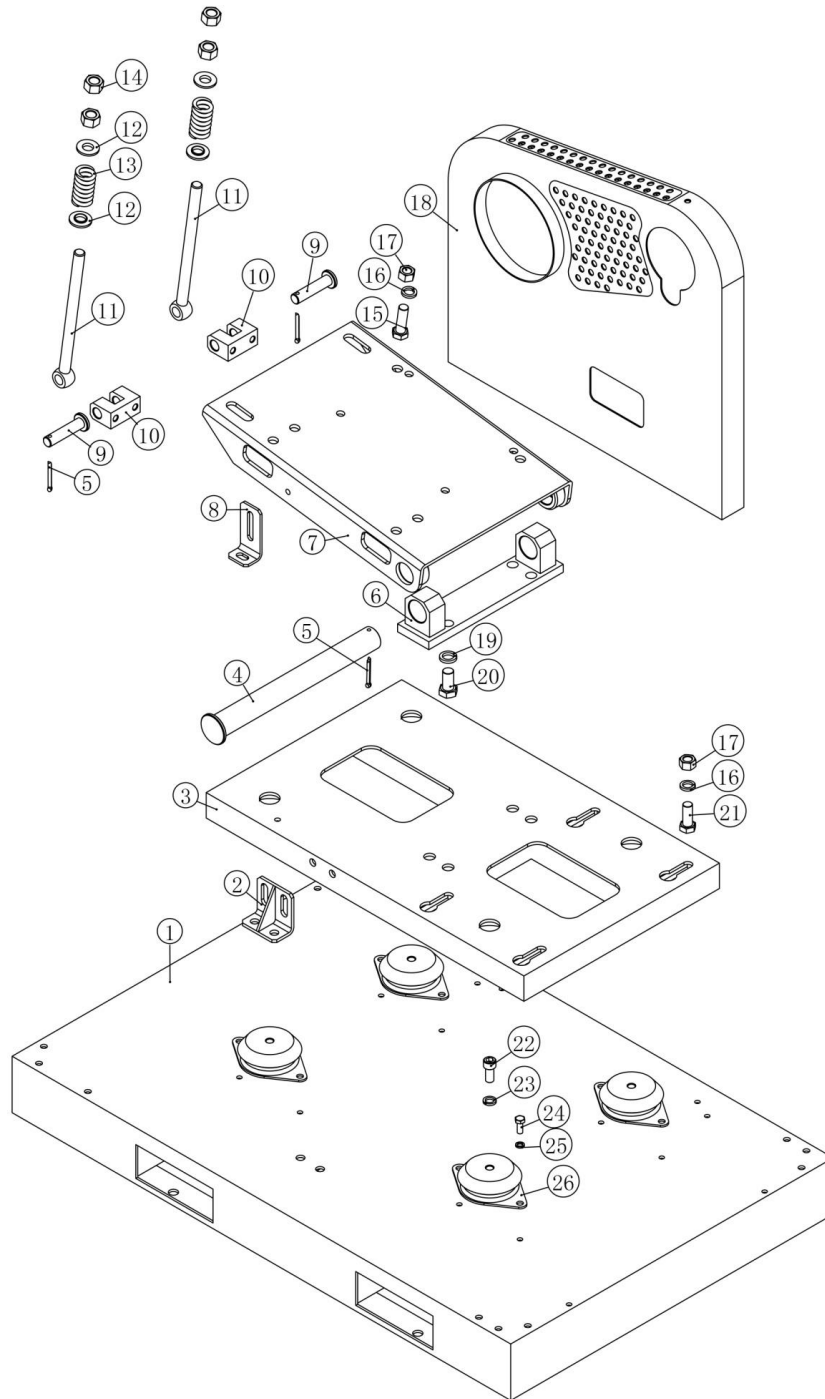
Airend and Inlet valve

(GROUP PN:)

NO.	PN	DESCRIPTION	QTY	REMARK
1	1240101	Airend	1	
2	02217 06004 16	Gasket		
3	01391 08025 00	Stud	2	M8x25
4	01365 08000 00	Washer	2	8
5	01322 08000 00	Nut	2	M8
6	84219 01001 00	Airend support	1	
7	01366 10000 00	Washer	1	10
8	01365 10000 00	Washer	1	10
9	01307 10025 00	Bolt	1	M10X25
10	02901 01450 20	O-ring	1	14.5X2.65
11	02201 01615 02	Screw washer	1	
12	84219 06009 60	Joint	1	
13	02901 01250 20	O-ring	1	12.5X2.65
14	01513 06100 00	Joint	1	
15	84219 01002 00	Oil return pipe	1	
16	01608 04016 07	Inlet valve	1	
16A *	04002 00040 00	Inlet valve kit	1	Spring A, Spring B, O' ring 29.82x2.62, Piston ring, Sealer, O' ring 82.22x2.62
16B *	01605 00110 00	Blowdown solenoid valve	1	
17	01512 06100 00	Joint	1	
18	01610 03000 00	Check vlave	1	
19	98042 00007 00	Joint	1	1/4
20	01366 08000 00	Washer	1	8
21	04401 04607 00	Hoop	2	
22	02907 05050 46	Flexible pipe	1	
23	537702 320200	Air filter	1	
	537702 320210	Air filter element		

*Items not shown on the drawing.

Base Mounting

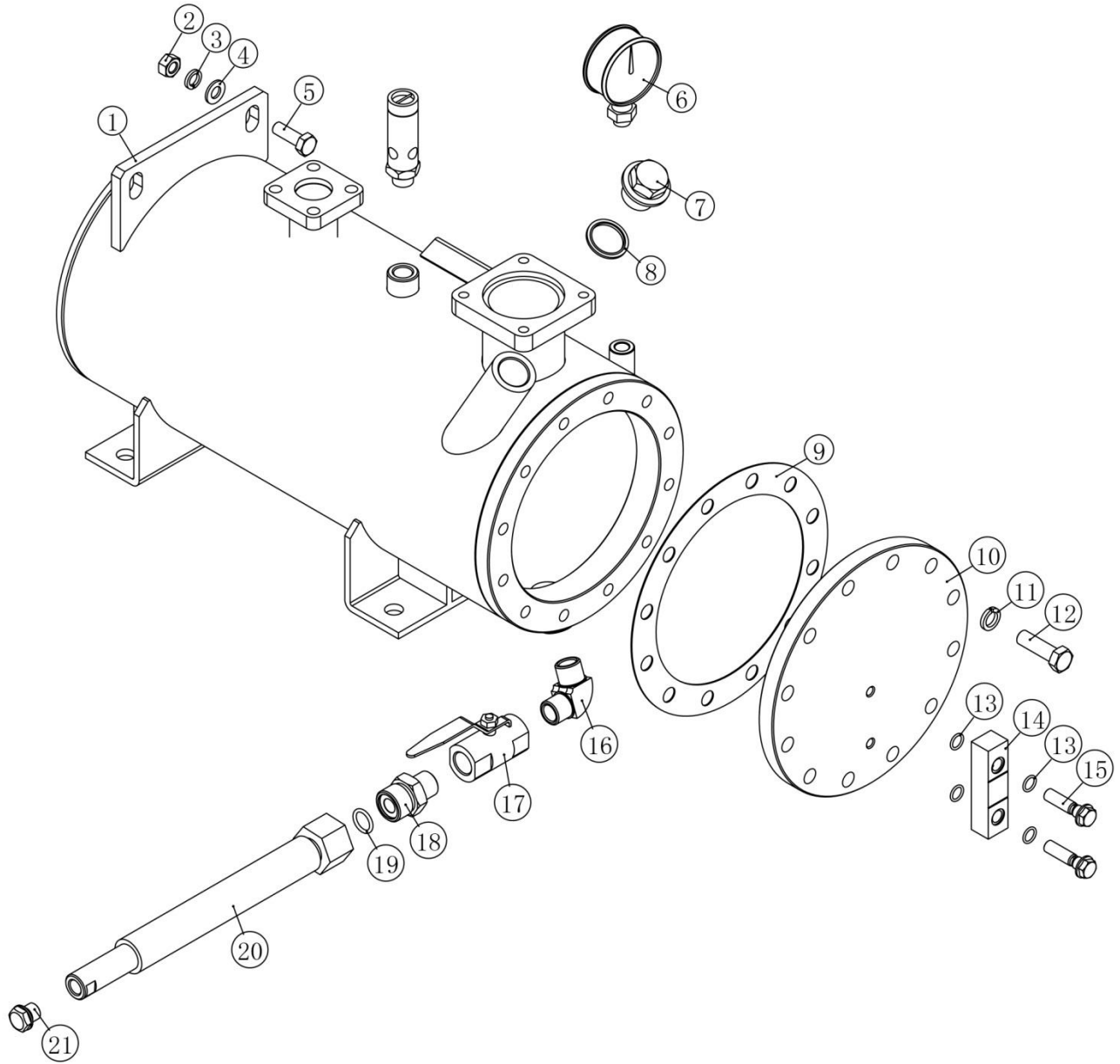


Base Mounting

(GROUP PN:)

NO.	PN	DESCRIPTION	QTY	REMARK
1	84219 02010 00	Base	1	
2	12419 02002 00	Fixing plate, shipping	1	
3	84219 02030 00	Support seat	1	
4	12333 02004 92	Pin	1	
5	01384 50040 00	Cotter pin	3	5X40
6	12333 02005 92	Support	1	
7	84219 02020 00	Motor base	1	
8		Fixing plate, shipping	1	
9	13340 02003 00	Pin	2	
10	13340 02002 00	Support block	2	
11	13323 02001 00	Ball valve	2	
12	13323 02003 00	Washer	4	
13	13323 02002 00	Spring	2	
14	01322 16000 00	Nut	4	M16
15	01307 14045 00	Bolt	1	M14X45
16	01365 14000 00	Washer	2	14
17	01322 14000 00	Nut	2	M14
18	84219 02008 00	Enclosure	1	15HP
	83219 02008 00			10HP
19	01365 16000 00	Washer	1	16
20	01307 16030 00	Bolt	1	M16X30
21	01307 14035 00	Bolt	1	M14X35
22	01344 12025 00	Screw	1	M12X25
23	01365 12000 00	Washer	1	12
24	01307 08020 00	Bolt	1	M8X20
25	01365 08000 00	Washer	1	8
26	02905 00006 00	Absorber	4	

Reservoir

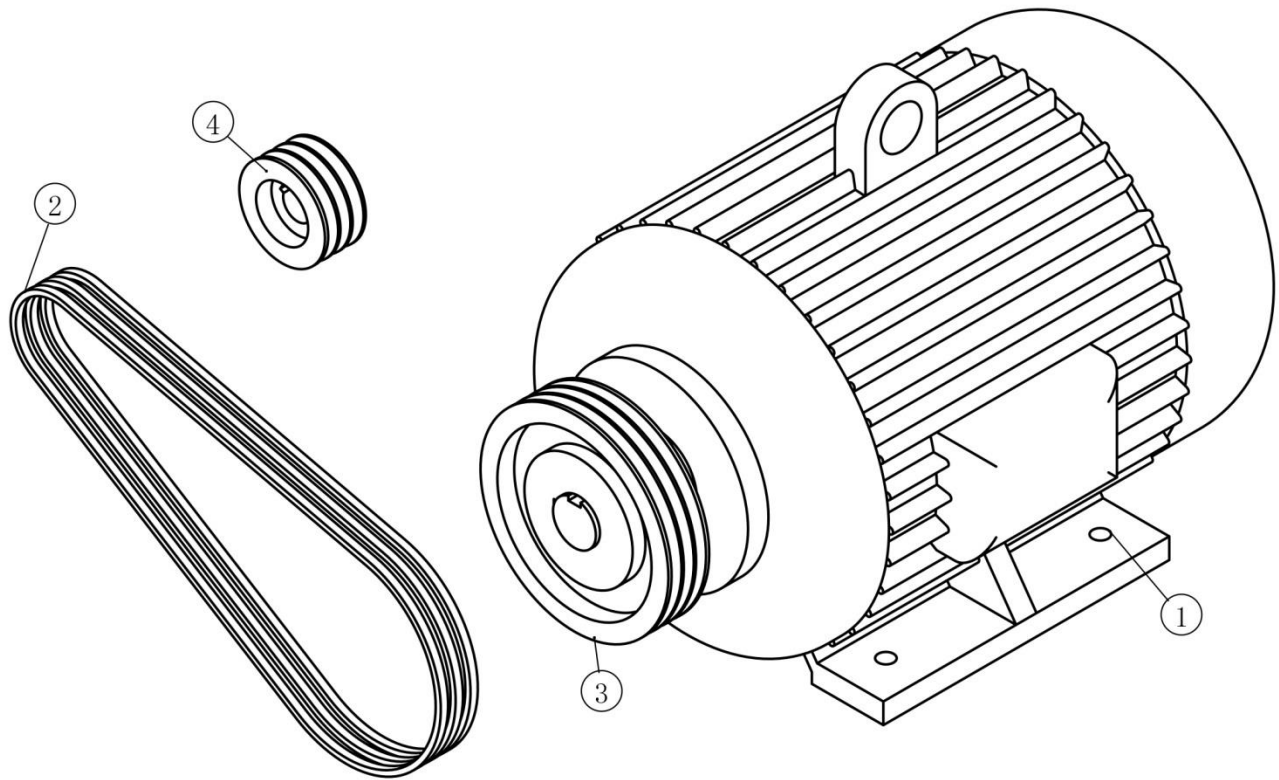


Reservoir

(GROUP PN:)

NO.	PN	DESCRIPTION	QTY	REMARK
1	84219 03010 00	Reservoir	1	ASME
	84219 03010 92			GB
2	01322 10000 00	Nut	1	M10
3	01365 10000 00	Washer	1	10
4	01366 10000 00	Washer	1	10
5	01310 10030 00	Bolt	1	M10X30
6	02801 06306 00	Pressure gauge	1	
7	01535 27200 00	Plug	1	M27X2
8	01534 27000 00	Bond washer	1	27
9	84219 03003 06	Gasket	1	
10	84219 03002 00	Top cover	1	
11	01365 12000 00	Washer	1	12
12	01307 12040 00	Bolt	1	M12X40
13	02901 01060 10	O-ring	4	10. 6X1. 8
14	13315 03002 04	Oil sight glass	1	
15	13315 03001 00	Hollow bolt	2	M10X40
16	99121 03002 00	Elbow	1	
17	01613 01500 00	Ball valve	1	DN15
18	13315 03006 00	Joint	1	
19	02901 01600 20	O-ring	1	16X2. 65
20	84219 03001 00	Drain pipe	1	
21	13315 03005 00	Plug	1	M14X1. 5
*	01601 10175 07	Relief valve	1	

Driving System and Electrical Motor

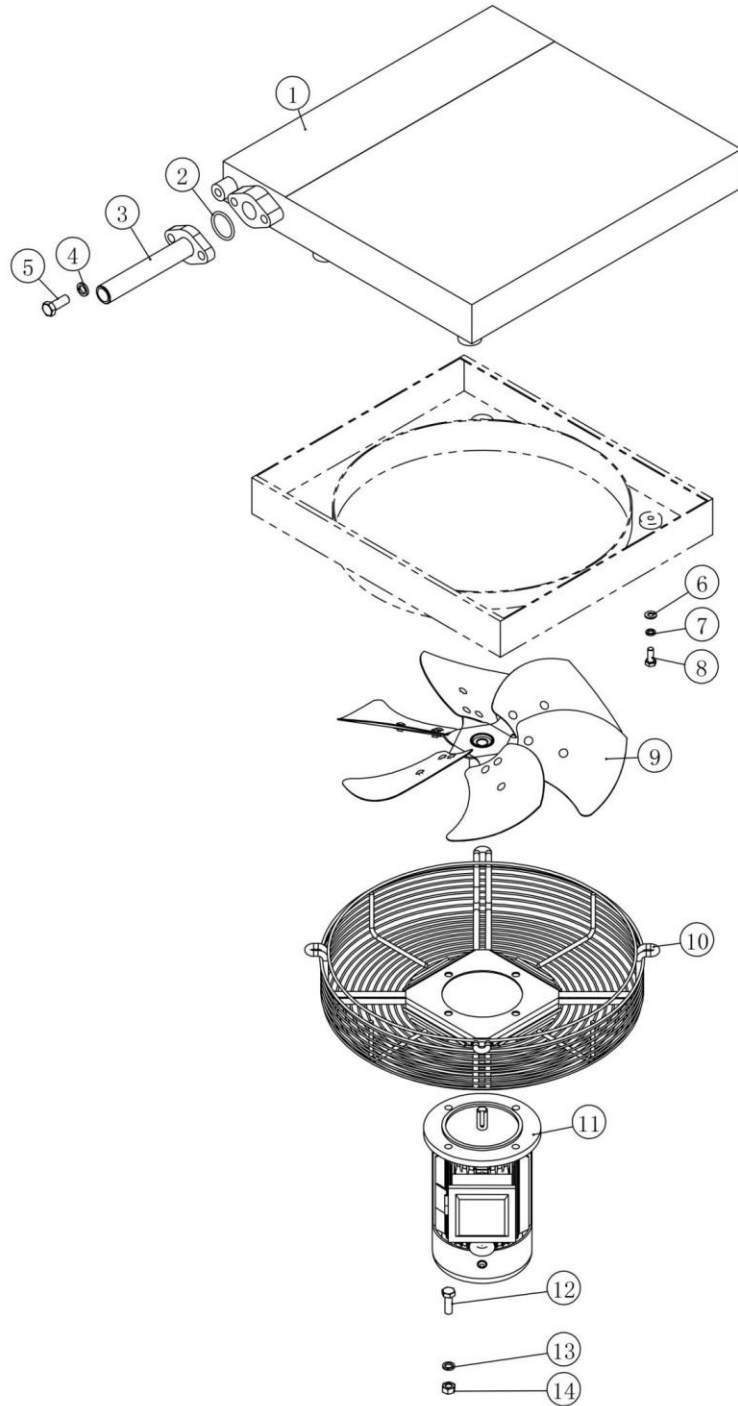


Driving System and Electrical Motor

(GROUP PN:)

NO.	PN	DESCRIPTION	QTY	REMARK
1	62011 37633 20	11kW Motor	1	208-230/460V、IE3
	62011 58633 24			575V/IE3
	62007 37631 21	7.5kW Motor		208-230/460V、IE3
	62007 58631 21			575V/IE3
2	01808 00987 00	Belt	3	10-150/175; 15-125
	01808 01000 00			15-175/175; 15-115
	01808 01012 00			10-115/125
3	01812 15030 42	Motor sheave	1	15-125/150
	01812 16030 42			15-115
	01812 14030 42			15-175
	01812 13230 38			10-115、125
	01812 11830 38			10-150
	01812 10630 38			10-175
4	01812 08030 28	Airend sheave	1	15-115/125
	01812 09030 28			15-150
	01812 10030 28			15-175/10-115
	01812 10630 28			10-125/150
	01812 11230 28			10-175

Air Cooler



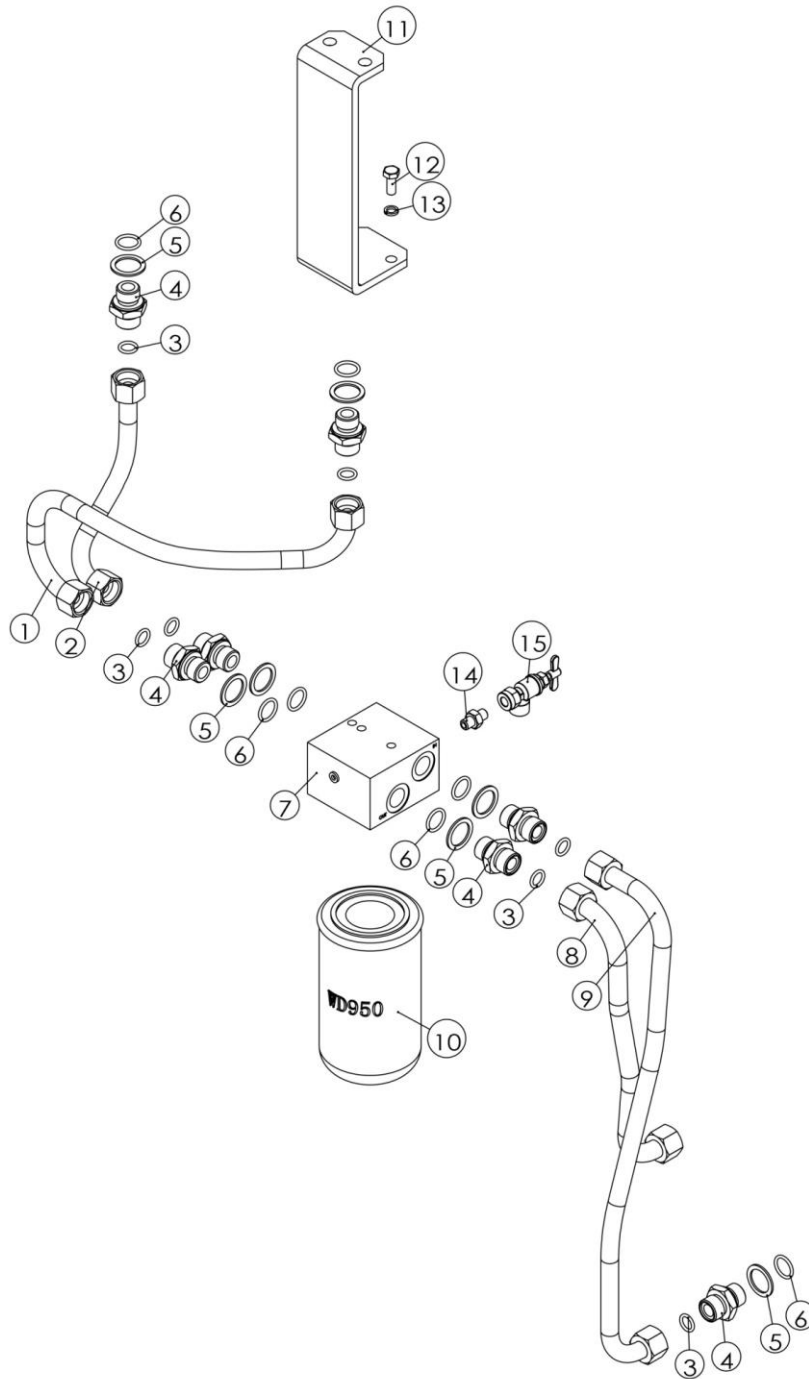
Air Cooler

(GROUP PN:)

NO.	PN	DESCRIPTION	QTY	REMARK
1	84219 05010 00	Cooler	1	
2*	02901 03550 30	O-ring	1	35.5*3.55
	13323 05002 06	Gasket	1	
3	84219 05001 00	Connecting pipe	1	
4	01365 12000 00	Washer	1	12
5	01307 12030 00	Bolt	1	M12X30
6	01366 08000 00	Washer	1	8
7	01365 08000 00	Washer	1	8
8	01307 08020 00	Bolt	1	M8X20
9	07204 40005 00	Impeller	1	
10	07205 40071 00	Net cover	1	
11	66118 37651 25	Motor	1	0.18kW/208-230/460V
	66118 58651 25		1	575V
12	01307 10030 00	Bolt	4	M10X30
13	01365 10000 00	Washer	4	10
14	01322 10000 00	Nut	4	M10

*Newer units come with o'ring. O'ring or gasket can be used.

Fluid Piping



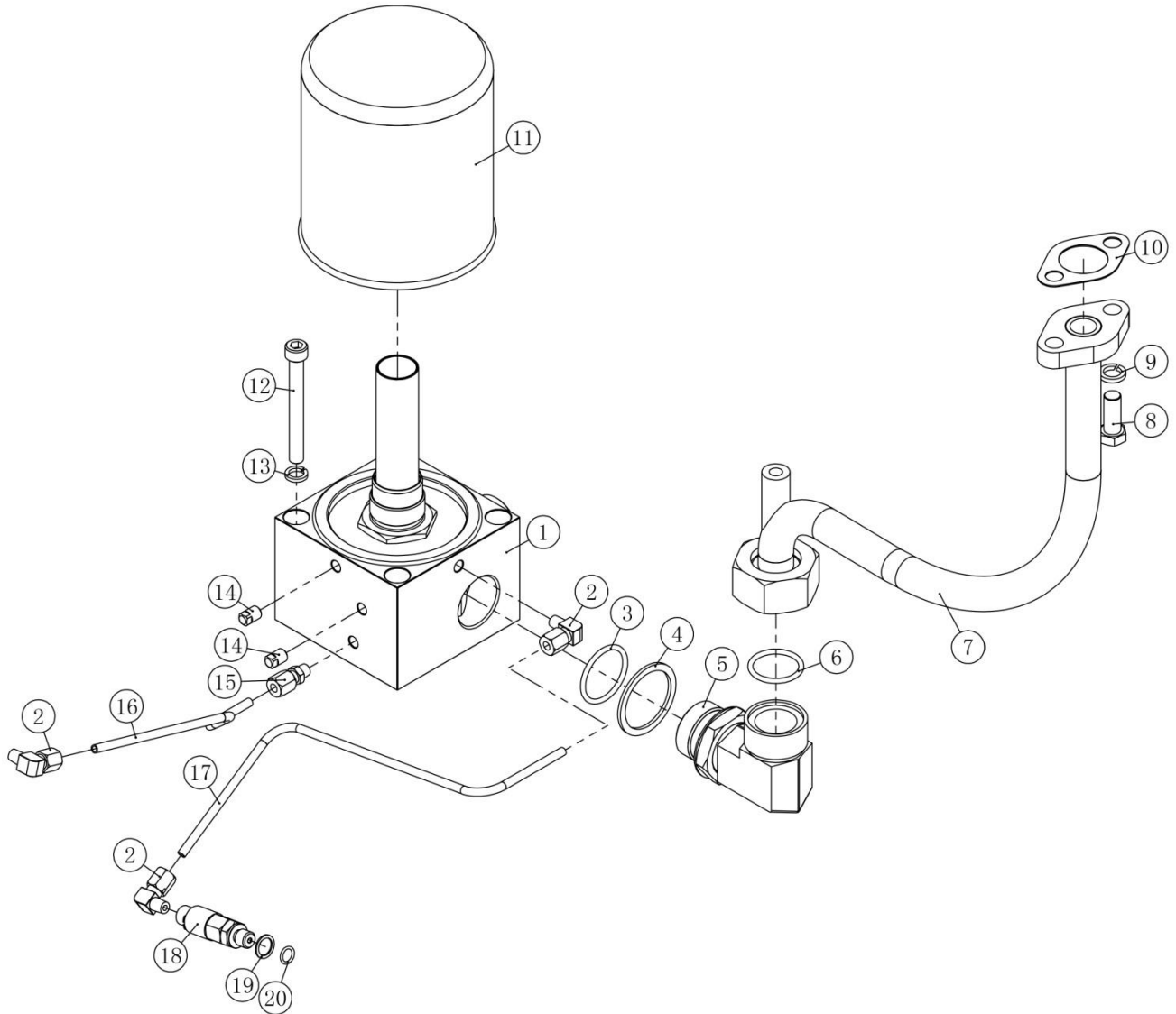
Fluid Piping

(GROUP PN:)

NO.	PN	DESCRIPTION	QTY	REMARK
1	84219 06001 00	Oil pipe	1	Outlet cooler
2	84219 06002 00	Oil pipe	1	Inlet cooler
3	02901 01250 20	O-ring	7	12.5X2.65
4	84219 06006 00	Joint	7	
5	02201 00015 00	Screw washer	7	
6	02901 01800 20	O-ring	7	18X2.65
7	01611 01583 03	Thermal valve	1	
7A*	04004 15083 00	Thermal valve kit	1	O-ring 31.9x2.62, Valve element, Sleeve, Spring.
8	84219 06003 00	Oil pipe	1	Inlet airend
9	84219 06004 00	Oil pipe	1	Inlet thermal vlave
10	07709 94172 00	Oil filter	1	
11	84219 06005 00	Oil filter support	1	
12	01307 08020 00	Bolt	1	M8X20
13	01365 08000 00	Washer	1	8
14	98018 07011 06	Joint	1	
15	01613 00600 99	Sample valve	1	

*Items not shown on the drawing.

Air Piping



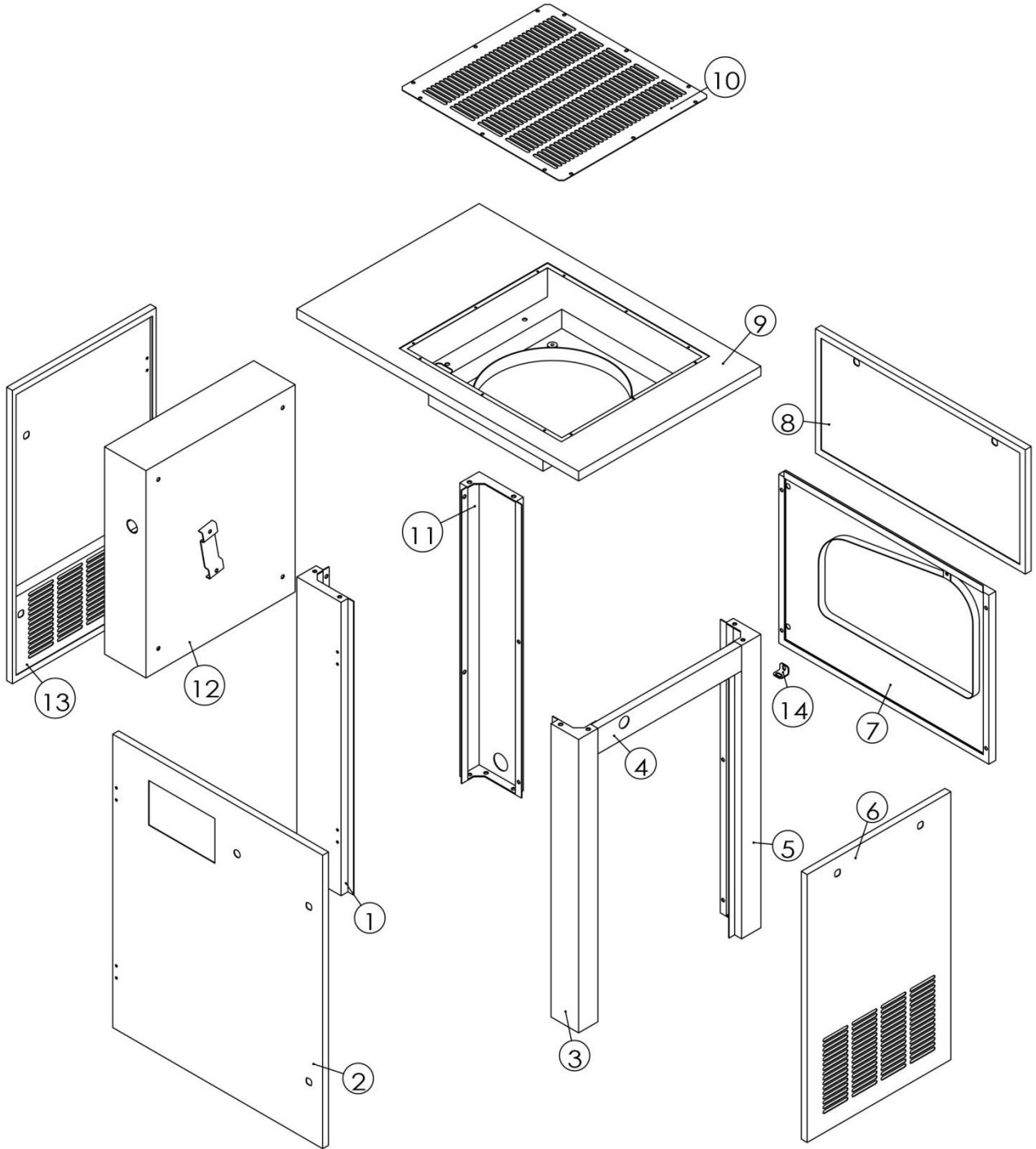
Air Piping

(GROUP PN:)

NO.	PN	DESCRIPTION	QTY	REMARK
1	01617 00025 08	Combination valve	1	
1A*	04002 00025 01	Combination valve kit	1	O'ring 34x3, o'ring 39x3, Valve element A, Check spring, Valve element B, o'ring 25x2.62, spring, o'ring 104.37x3.53
2	01513 06100 00	Joint	3	
3	02901 03870 30	O-ring	1	38.7X3.55
4	02201 00032 00	Screw washer	1	
5	22435 06200 25	Adjustable elbow	1	G1.25-M45X2
6	02901 03250 30	O-ring	1	32.5X3.55
7	84219 07001 00	Discharge pipe	1	
8	01307 12030 00	Bolt	1	M12X30
9	01365 12000 00	Washer	1	12
10	13323 05002 06	Gasket	1	
11	07704 30141 77	Fluid/air separator element	1	
12	01344 10090 00	Screw	1	M10X90
13	01365 10000 00	Washer	2	10
14	02103 00006 00	Plug	1	
15	01512 06100 00	Joint	1	
16	84219 07003 00	Control pipe	1	
17	84219 07002 00	Oil return pipe	1	
18	01610 01010 01	Oil sight check valve	1	
19	02201 01215 00	Screw washer	1	
20	02901 00950 10	O-ring	1	9.5X1.8

*Items not shown on the drawing.

Cabinet

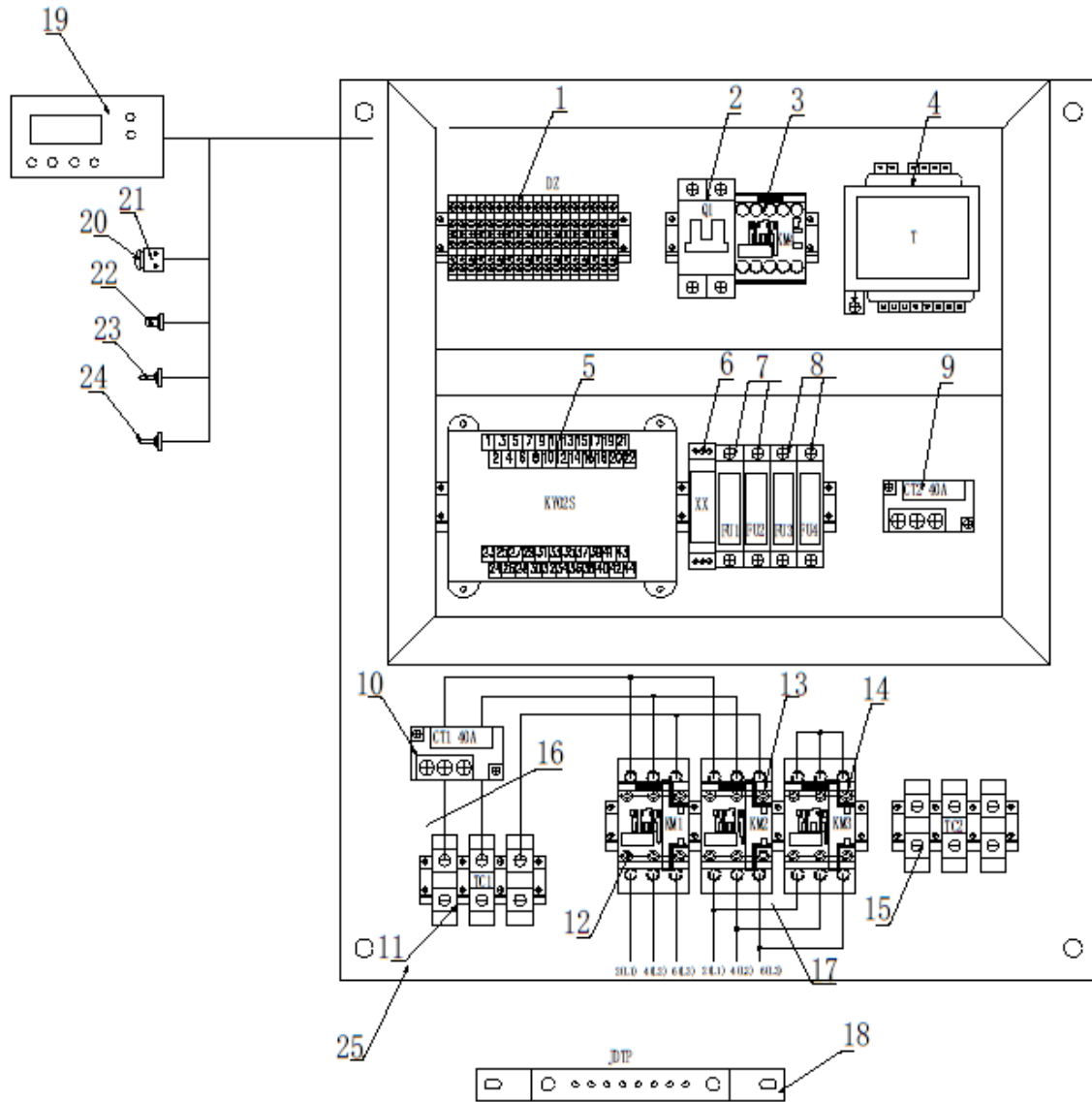


Cabinet

(GROUP PN:)

NO.	PN	DESCRIPTION	QTY	REMARK
1	84219 08001 00	Support	1	
2	84219 08002 00	Door	1	
3	84219 08003 00	Support	1	
4	84219 08130 00	Beam	1	
5	84219 08007 00	Support	1	
6	84219 08004 00	Door	1	
7	84219 08008 00	Baffle	1	
8	84219 08009 00	Door	1	
9	84219 08100 00	Top cover	1	
10	84219 08110 00	Top net cover	1	
11	84219 08005 00	Support	1	
12	84219 08120 00	Electric cabinet	1	
13	84219 08006 00	Air inlet plate	1	
14	84219 08140 00	Fixing plate	1	

Electrical Enclosure



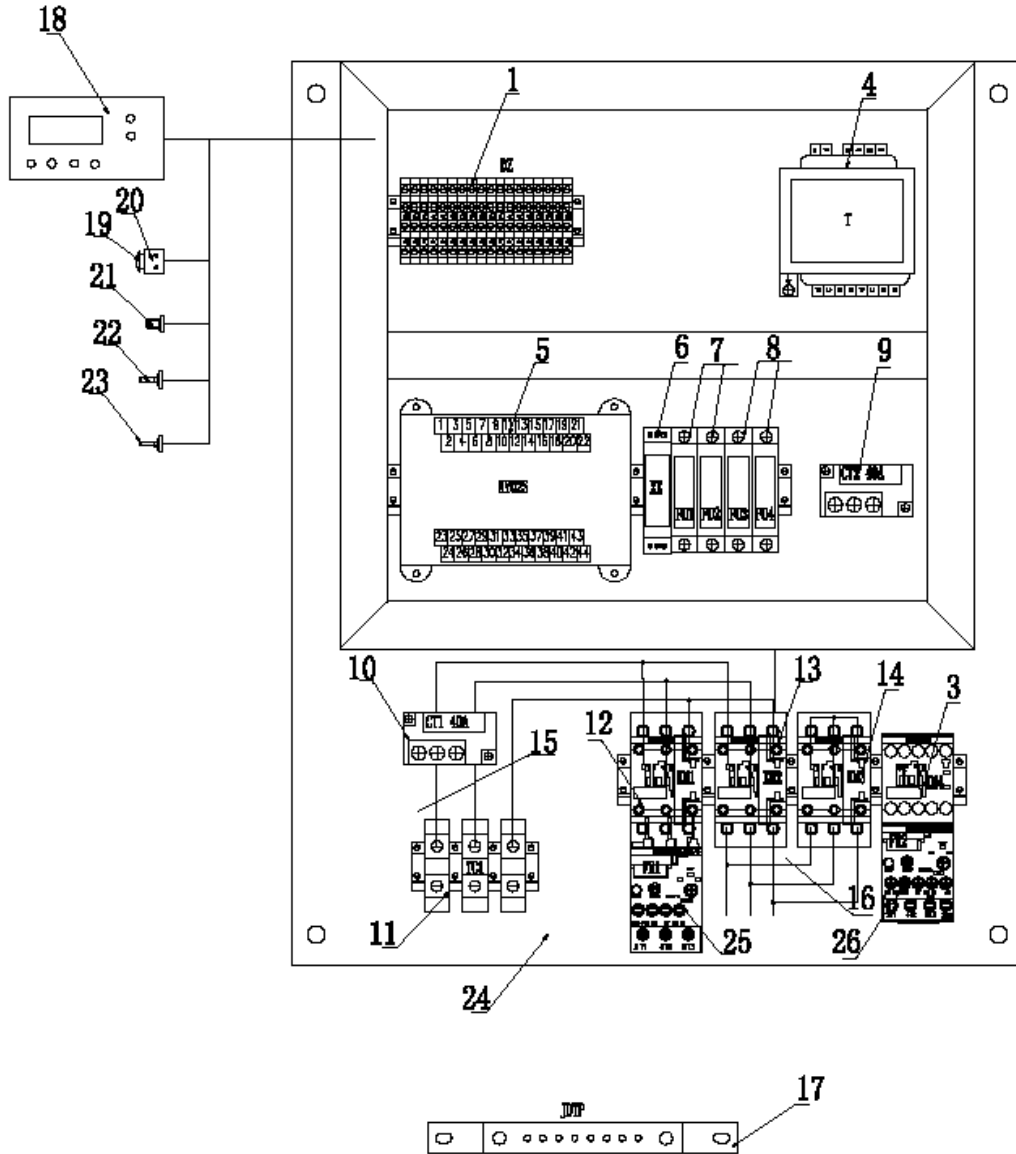
Electrical Enclosure

(10HP/208-230/460V)

NO.	PN	DESCRIPTION	QTY	REMARK
1	08703 00004 00	Terminal block	18	DZ
2	02819 06526 00	Miniature breaker	1	Q1
3	02825 60038 00	AC contactor	1	KM4
4	02818 01000 10	Transformer	1	T
5	02811 00204 55	Host controller	1	PLC
6	02814 00080 00	Phase sequence protector	1	XX
7	02820 00001 00	Fuse block	2	FU1-FU2
8	02820 00001 00	Fuse block	2	FU3-FU4
9	02824 20040 00	Fan motor current transformer	1	CT2
10	02824 10040 00	Current transformer	1	CT1
11	08703 00035 00	Terminal block	3	TC1
12	02825 60025 01	AC contactor	1	KM1
13	02825 60025 01	AC contactor	1	KM2
14	02825 60018 01	AC contactor	1	KM3
15	08703 00035 00	Terminal block	3	TC2
16	08704 10006 00	Cable	0.6M	BVR
17	08704 12004 00	Cable	1.2M	BVR
18	02829 32020 60	Grounding copper bar	1	JDTP
19	02815 00202 02	Monitor	1	XSQ
20	02827 04844 00	Emergency button	1	JT
21	02827 04104 00	Emergency button support	1	JT
22	02810 00016 00	Pressure sensor	1	DP
23	02810 10004 00	Temperature sensor	1	DT
24	02810 10004 00	Temperature sensor	1	ST
25		Electric control board	1	DKB
*26	02821 10002 00	Fuse	4	FU1-FU4

Note: * Items are not shown on the drawing.

Electrical Enclosure



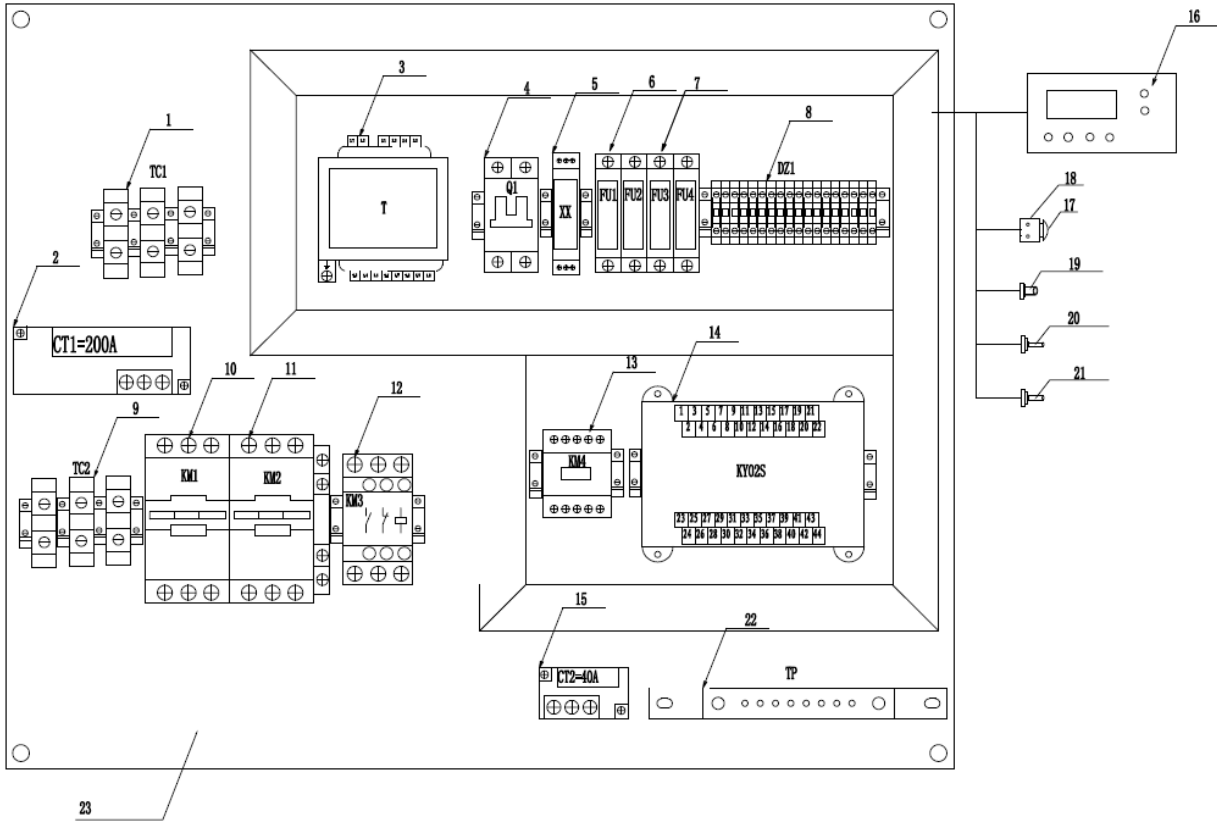
Electrical Enclosure

(10HP/575V)

NO.	PN	DESCRIPTION	QTY	REMARK
1	08703 00004 00	Terminal block	18	DZ
3	02825 60038 00	Fan motor contactor	1	KM4
4	02818 01000 10	Transformer	1	T
5	02811 00204 59	Controller	1	PLC
6	02814 05169 00	Phase sequence protector	1	XX
7	02820 00001 00	Fuse block	2	FU1-FU2
8	02820 00001 00	Fuse block	2	FU3-FU4
9	02824 20040 00	Fan motor transformer	1	CT2
10	02824 10040 00	Main motor transformer	1	CT1
11	08703 00035 00	Terminal block	3	TC1
12	02825 60018 01	AC contactor	1	KM1
13	02825 60018 01	AC contactor	1	KM2
14	02825 60012 01	AC contactor	1	KM3
15	08704 12004 00	Cable	0.6M	BVR
16	08704 12002 50	Cable	1.2M	BVR
17	02829 32020 60	Grounding copper bar	1	JDTP
18	02815 00201 04	Monitor	1	XSQ
19	02827 04844 00	Emergency stop button	1	JT
20	02827 04104 00	Emergency stop button seat	1	JT
21	02810 00016 00	Pressure sensor	1	DP
22	02810 10004 00	Temperature sensor	1	DT
23	02810 10004 00	Temperature sensor	1	ST
24	/	Electric control board	1	DKB
25	02814 35126 11	Thermal relay	1	FR1
25	02814 35116 00	Thermal relay	1	FR2
*26	02821 10002 00	Fuse	4	FU1-FU4

Note: * Items are not shown on the drawing.

Electrical Enclosure



Electrical Enclosure

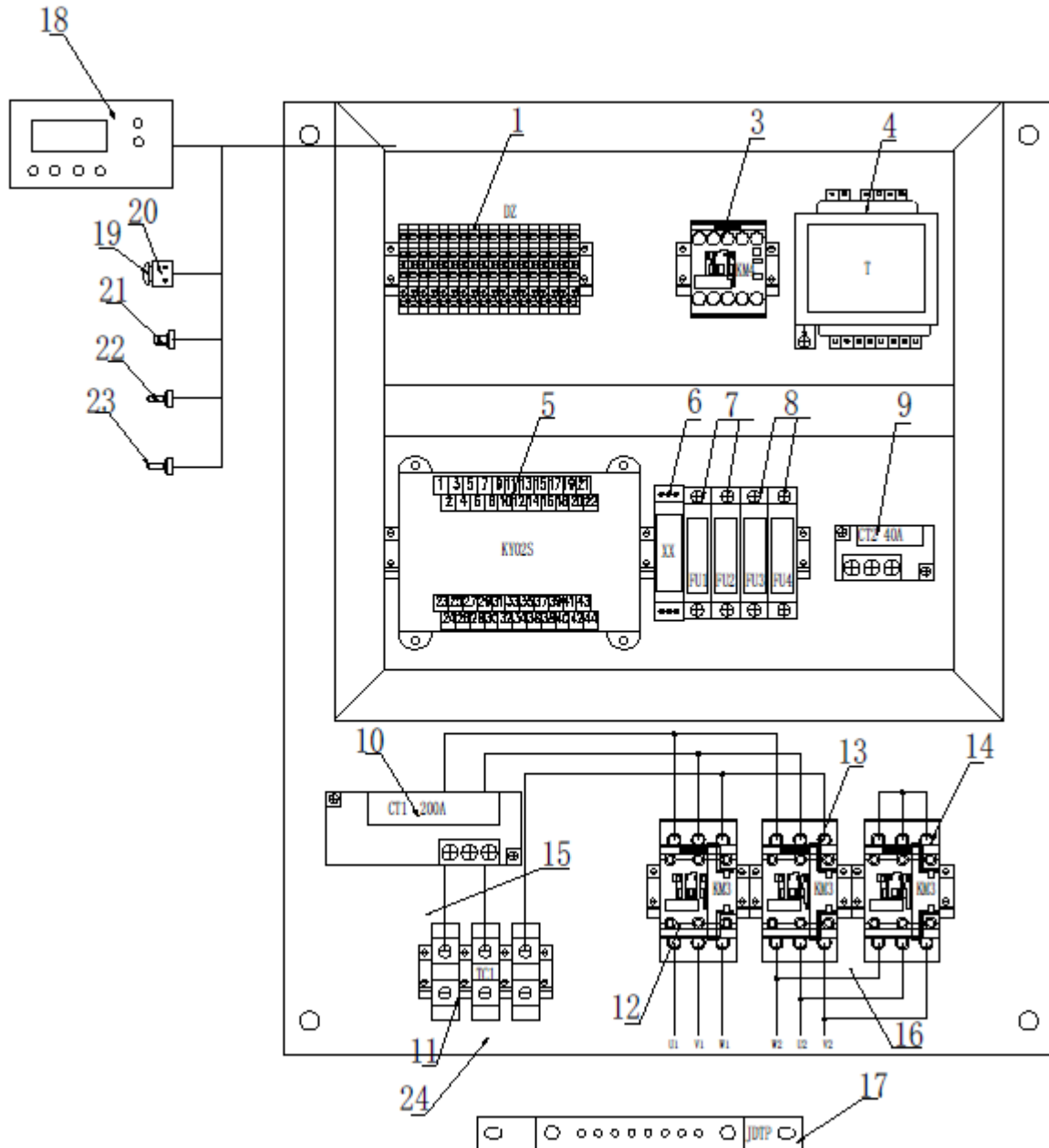
(15HP/208-230/460V)

NO.	PN	DESCRIPTION	QTY	REMARK
1	08703 00035 00	TERMINAL BLOCK	3	TC1
2	02824 00200 00	MOTOR CURRENT TRANSFORMER	1	CT1
3	02818 01000 10	TRANSFORMER	1	T
4	02819 06526 00	BREAKER	1	Q1
5	02814 00080 00	PHASE MONITOR	1	XX
6	02820 00001 00	FUSE BLOCK	2	FU1-FU2
7	02820 00001 00	FUSE BLOCK	2	FU3-FU4
8	08703 00004 00	TERMINAL	18	DZ
9	08703 00035 00	TERMINAL BLOCK	3	TC2
10	02825 00341 00	CONTACTOR	1	KM1
11	02825 00341 00	CONTACTOR	1	KM2
12	02825 60025 01	CONTACTOR	1	KM3
13	02825 60038 00	CONTACTOR	1	KM4
14	02811 00210 55	CONTROLLER	1	PLC
15	02824 20040 00	FAN MOTOR CURRENT TRANSFORMER	1	CT2
16	02815 00202 02	CONTROL PANEL	1	XSQ
17	02827 04844 00	EMERGENCY BUTTON	1	JT
18	02827 04104 00	EMERGENCY BUTTON BASE	1	JT
19	02810 00016 00	PRESSURE SENSOR	1	DP
20	02810 10004 00	TEMP. SENSOR, AIR OUTLET	1	DT
21	02810 10004 00	TEMP. SENSOR	1	ST
22	02829 32020 60	GROUNDING COPPER BAR	1	JDTP
23	12415 09008 02	ELECTRIC PLATE	1	DKB
*24	02821 10002 00	FUSE	2	FU1-FU2
*25	02821 10002 00	FUSE	2	FU3-FU4

Note: * Items are not shown on the drawing.

Electrical Enclosure

(15HP/575V)



Electrical Enclosure

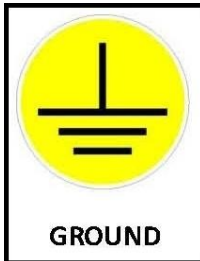
(15HP/575V)

NO.	PN	DESCRIPTION	QTY	REMARK
1	08703 00004 00	Terminal block	18	DZ
3	02825 60038 00	Fan motor contactor	1	KM4
4	02818 01000 10	Transformer	1	T
5	02811 00210 55	Controller	1	PLC
6	02814 05169 00	Phase sequence protector	1	XX
7	02820 00001 00	Fuse block	2	FU1-FU2
8	02820 00001 00	Fuse block	2	FU3-FU4
9	02824 20040 00	Fan motor transformer	1	CT2
10	02824 00200 00	Motor Transformer	1	CT1
11	08703 00035 00	Terminal block	3	TC1
12	02825 60025 01	AC contactor	1	KM1
13	02825 60025 01	AC contactor	1	KM2
14	02825 60018 01	AC contactor	1	KM3
15	08704 10006 00	Cable	0.6M	BVR
16	08704 12004 00	Cable	1.2M	BVR
17	02829 32020 60	Grounding copper bar	1	JDTP
18	02815 00202 02	Monitor	1	XSQ
19	02827 04844 00	Emergency stop button	1	JT
20	02827 04104 00	Emergency stop button seat	1	JT
21	02810 00016 00	Pressure sensor	1	DP
22	02810 10004 00	Temperature sensor	1	DT
23	02810 10004 00	Temperature sensor	1	ST
24		Electric control board	1	DKB
*25	02821 10002 00	Fuse	4	FU1-FU4

Note: * Items are not shown on the drawing.

Decals

Decals information is shown as following.



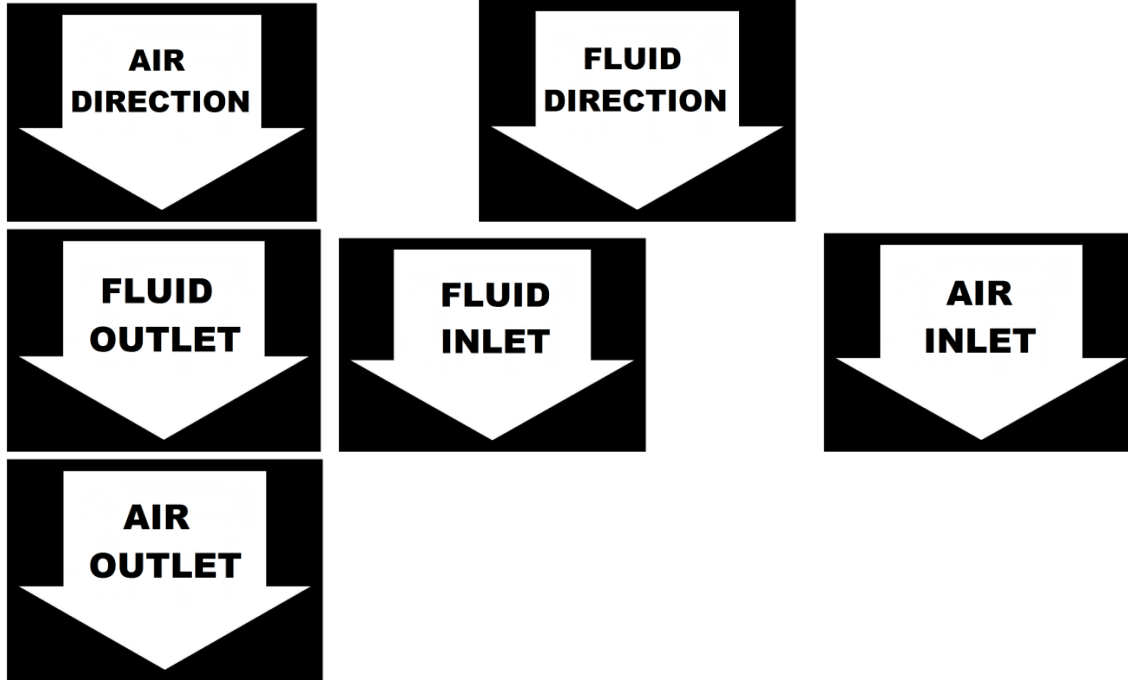
Decals



NOTE:

1. DECALS P/N : 142939

Decals



NOTE:

1. DECALS P/N : 142939

Standard Terms and Conditions

These terms and conditions govern the sale of Products (“Rotary Screw Air Compressors and parts”) and provisions of services by Kaishan Technologies Compressor Co. Ltd (Seller) and its authorized representative or buyer. These terms and conditions (“Agreement”) take precedence over Buyer’s supplemental or conflicting terms and conditions to which notice of objection is hereby given. Neither Seller’s commencement of performance or delivery shall be deemed or construed as acceptance of Buyer’s supplemental or conflicting terms and conditions. Kaishan Technologies Compressor’s failure to object to conflicting or additional terms will not change or add to the terms of this agreement. Buyer’s acceptance of the Products and/or Services from Seller shall be deemed to constitute acceptance of the terms and conditions contained herein.

Orders: All orders placed by Buyer are subject to acceptance by Seller. Orders may not be canceled or rescheduled without Seller’s written consent. All orders must identify the products, unit quantities, part numbers, applicable prices and requested delivery dates of the Products being purchased. Seller may at its sole discretion allocate Product among its Buyer. Seller may designate certain Products and Services as non-cancelable, non-returnable and the sale of such Products shall be subject to the special terms and conditions contained in Seller’s Customer Acknowledgement or Non-Returnable Product Form, which shall prevail and supersede any inconsistent terms and conditions contained herein or elsewhere.

Prices: The prices of the Products are those prices specified on the front of the invoice or contained within an agreed written contract. Price quotations shall automatically expire in thirty (30) days from the date issued, or as otherwise stated in the quotation.

Taxes: Unless otherwise agreed to in writing by Seller, all prices quoted are exclusive of transportation and insurance costs, duties, and all taxes including federal, state and local sales, excise and value added, goods and services taxes, and any other taxes. Buyer agrees to indemnify and hold Seller harmless for any liability for tax in connection with the sale, as well as the collection or withholding thereof, including penalties and interest thereon. When applicable, transportation and taxes shall appear as separate items on Seller’s invoice.

Payment: Payment may be made by check, money order, credit card, or wire transfer (all fees are borne by the Buyer). Where Seller has extended credit to Buyer, terms of payment shall be net thirty (30) days from date of invoice, without offset or deduction. On any past due invoice, Seller may impose a monthly interest rate. If Buyer fails to make the required payments the Seller will impose the interest rate each month. If Buyer fails to make each payment when it is due, Seller reserves the right to withdraw credit and thereby suspend or cancel performance under any or all purchase orders or agreements in which Seller has extended credit to Buyer. In the event of default by Buyer, Seller shall be entitled to costs, fees, and expenses including but not limited to recovery of attorney fees, court costs and fees, and collections costs.

Standard Terms and Conditions

Delivery and Title: The locations of shipment delivery will be made according to the Seller and Buyer agreement. Title and risk of loss pass to the Buyer upon delivery of the Product to the carrier. Seller's delivery dates are estimates only and Seller is not liable for delays in delivery or for failure to perform due to causes beyond the reasonable control of the Seller, nor shall the carrier be deemed an agent of the Seller. A delayed delivery of any part of an Order does not entitle Buyer to cancel other deliveries. Kaishan Technologies Compressor will comply with various federal, state and local laws and regulation concerning occupational health, safety and environment concerns. Buyer has full responsibility to comply with those laws and regulations during the installation and operation of the equipment.

Acceptance / Returns: Shipments will be deemed to have been accepted by Buyer upon delivery of the said shipments to Buyer unless rejected upon receipt. Buyer shall perform all inspections and tests. Buyer deems necessary as promptly as possible but in no event later than 7 days after receipt of Products, at which time Buyer will be deemed to have irrevocably accepted the Products. Any discrepancy in shipment quantity must be reported within 7 days after receipt of Products. Buyer may not return Products without a Return Material Authorization ("RMA") number. RMA's valid for 30 days from the date issued.

Standard Warranty: Buyer will honor Product warranties and indemnities authorized by the manufacturer, including any transferable. 90 days warranty is given for service parts from receipt date. Seller warrants to Buyer that Products purchased hereunder will conform to the applicable manufacturer's specifications for such products and that any value-added work performed by Seller on such Products will conform to applicable Buyer's specifications. If Seller breaches this warranty, Buyer's remedy is limited to (at Seller's election) (1) refund of Buyer's purchase price for such Product (without interest), (2) repair of such Products, or (3) replacement of such Products provided that such Products must be returned to Seller, along with acceptable evidence of purchase within 13 days from date of delivery, transportation charges prepaid. No warranty will apply if the Product has been subject to misuse, neglect, accident or modification.

Limitation of Liabilities: Buyer shall not be entitled to, and Seller shall not be liable for, loss of profit or revenue, promotional or manufacturing expenses, overheads expenses, business interruption cost, loss of data, removal or reinstallation costs, injury to reputation of buyer, punitive damages, loss of contractor orders or any indirect, special, incidental or consequential damages of any nature. Buyer's recovery from seller for any claim shall not exceed the purchase price paid for the affected products irrespective of the nature of the claim whether in contract, tort, warranty, or otherwise. Buyer will indemnify, defend and hold seller harmless from any claims based on (a) Seller's compliance with buyer's designs, specifications, or instructions, (b) Modification of any products by anyone other than Seller, or (c) use in combination with other products not supplied by seller.

Standard Terms and Conditions

Use of Products: Unless otherwise specified. Products sold by Seller are not designed, intended or authorized for use in life support, life sustaining, nuclear, or other applications in which the failure of such Products could reasonably be expected to result in personal injury, loss of life or catastrophic property damage. If buyer uses or sales the Products for use in any such applications: (1) Buyer acknowledges that such use or sale is at Buyer's sole risk; (2) Buyer agrees that Seller and the manufacturer of the Products are not liable, in whole or in part, for any claim or damage arising from such use; and (3) Buyer agrees to indemnify, defend and hold Seller and the manufacturer of the Products harmless from and against any and all claims, damages, losses, costs, expenses and liabilities arising out of or in connection with such use or sale.

Force Majeure: Seller is not liable for failure to fulfill its obligations for any accepted Order or for delays in delivery due to causes beyond Seller's reasonable control including, but not limited to, acts of God, natural or artificial disaster, riot, war, strike, delay by carrier, shortage of Product, acts or omissions of other parties, acts or omissions of civil or military authority, Government priorities, changes in law, material shortages, fire, strikes, floods, epidemics, quarantine restrictions, acts of terrorism, delays in transportation or inability to obtain labor, materials or products through its regular sources, which shall be considered as an event of force majeure excusing Seller from performance and barring remedies for non-performance. In an event of force majeure condition, the Seller's time for performance shall be extended for a period equal to the time lost as a consequence of the force majeure condition without subjecting Seller to any liability or penalty. Seller may, at its option, cancel the remaining performance, without any liability or penalty, by giving notice of such cancellation to the Buyer.

General: (a) Seller will comply with state law for any dispute from buyer. (b) Buyer may not assign this Agreement without the prior written consent of Seller. Seller or its affiliates may perform the obligations under this Agreement. This Agreement is binding on successor and assigns, (c) Products, including software or other intellectual property, are subject to any applicable rights of third parties, such as patents, copyrights and/or user licenses.

Appendix

(If your machine is standard, this page is blank.)

Contact Information

Kaishan Compressor, LLC.,
Add.: 7650-A Stanton St., Daphne, AL, Post code: 36526
Office number: +1 251-202-0577
www.KaishanUSA.com