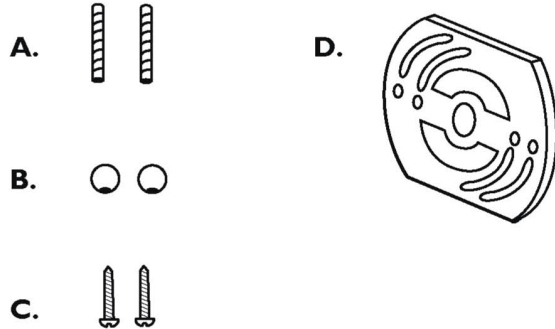


**IMPORTANT**

- Justice Design recommends that a licensed electrician install this lighting fixture
- Installation must comply with all building, safety, and electrical codes and requirements
- Disconnect power to the junction box prior to installation
- Do not reconnect power until this fixture is properly installed
- This fixture is designed to mount to a standard metal 4-0 octagonal junction box
- For outdoor use the junction box must be contained within a “covered ceiling” as specified by Underwriters Laboratory and local building codes. Contact your local building inspector if you have questions.
- Fixture must be sealed to mounting surface using high-quality 20-year silicone. Approximately 2 fluid ounces of silicone will be required per fixture.
- Prepare surface for silicone adhesive according to silicone manufacturer’s directions.
- Mounting surface must be clean and flat. Shingles and heavy relief textures such as stone surfaces must be modified to insure a waterproof seal.
- Bisque (unfinished) fixtures must be painted with high quality exterior grade paint and allowed to dry thoroughly prior to installation. (See enclosed painting instructions for details.)

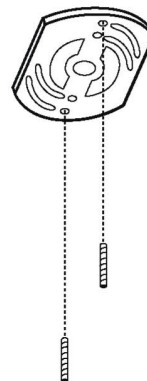


**Hardware Pack contains:**

- A. 2 - 1 3/4” long 8/32 All-Thread Posts
- B. 2 - Finials
- C. 2 - 3/4” long 8/32 Screws
- D. 1 - Universal Mounting Ring

**I**

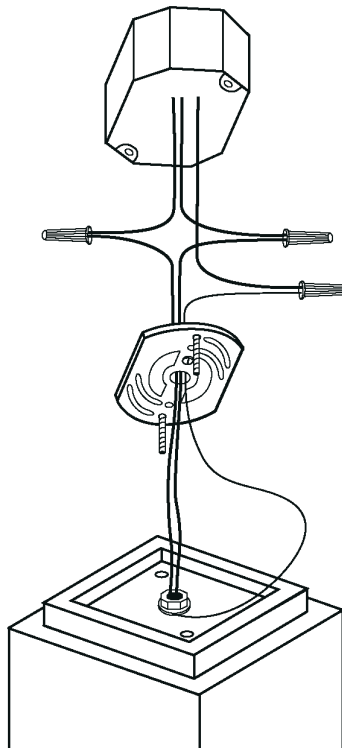
Screw two (2) All-Thread Posts into outer pair of holes in Universal Mounting Ring. Leave enough length to insure All-Thread Posts will protrude through canopy of fixture.



## Flush Mount ceiling fixtures

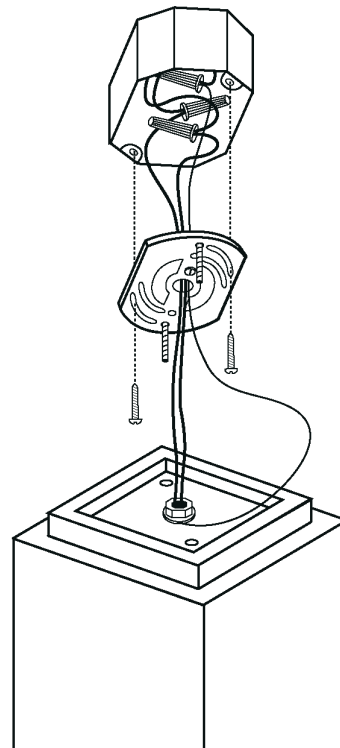
2

Pull fixture wires through center hole of Universal Mounting Ring. Connect fixture wires to supply wires using wire nuts (not included). Observe polarity: black to power, white to neutral, and bare copper to green ground.



3

Tuck wires and wire nuts into junction box. Secure Universal Mounting Ring to junction box using two (2) 8/32 Screws.



4

Attach fixture to Universal Mounting Ring by placing fixture onto two (2) All-Thread Posts. Secure fixture with two (2) Finials. Be careful not to overtighten Finials or you may damage fixture.

