



Juno SlimBasics JSBT Tapered LED Surface Mount Disk Light

4" and 6" Round Disk Lights for JBox Installation

JSBT 4IN/6IN Series



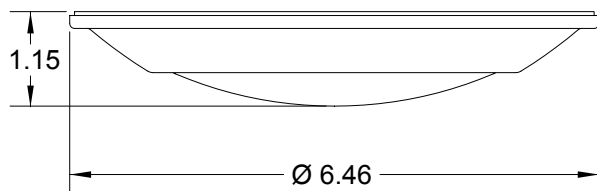
JSBT 4IN



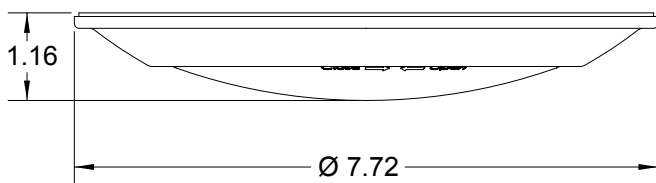
JSBT 6IN



Dimensions



JSBT 4IN



JSBT 6IN

Project:
Fixture Type:
Location:
Contact/Phone:

Product Features

The SlimBasics™ JSBT Slim Tapered LED Disk Lights are low-profile and the perfect economic solution for any junction box installation. Available in 4in and 6in sizes, the JSBT mounts directly over standard junction boxes allowing the fixture to be installed below the ceiling resulting in a budget friendly install. Additionally, these surface mount disk lights bring an aesthetically pleasing design element that blends with any décor.

Applications

- Suitable for wet locations (indoor covered ceilings): perfect for closet, showers, bathrooms, and outdoor soffits and ceiling covering applications
- Residential and Light Commercial applications including multi-family and hospitality
- Ideal for use in corridors, foyers, living spaces, closets, hallways, pantries, stairways and much more
- Installs directly into industry standard junction boxes
- Suitable for use in closets, compliant when installed to NFPA® 70 NEC® Section 410.16 (A)(1) and (C)(1)

Performance

Delivered Lumens	JSBT 4IN = 700L JSBT 6IN = 950L
Led Color Temperature	2700K
CRI	90+
Voltage	Dedicated 120V
Dimming	Phase Dimming down to 10%

Delivered Lumens	JSBT 4IN = 750L JSBT 6IN = 990L
LED Color Temperature	3000K
CRI	90+
Voltage	Dedicated 120V
Dimming	Phase Dimming down to 10%

Specifications

	Width	Depth
JSBT 4IN	6.46	1.15
JSBT 6IN	7.72	1.16

All dimensions are in Inches



Juno SlimBasics JSBT Tapered LED Surface Mount Disk Light

4" and 6" Round Disk Lights for JBox Installation



JSBT 4IN



JSBT 6IN

ORDERING INFORMATION

Slim Tapered LED Disk Light

Example: JSBT 6IN 30K 90CRI WL MW M6

Series	Color Temperature	CRI	Wet Location	Color Finish
JSBT 4IN 4" Juno Slim Tapered Disk Light	27K 2700K	90CRI 90CRI	WL Wet Location	MW Matte White
JSBT 6IN 6" Juno Slim Tapered Disk Light	30K 3000K			

ACCESSORIES

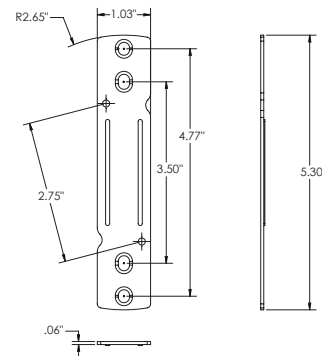
JSBTADPTR 4IN CNDA M50	Canadian 4" JBOX Adapter
------------------------	--------------------------

JBOX Compatibility

	3-1/2" Octagon Box Steel	4" Drawn Octagon 1-1/2" Deep Steel	3-1/2" Drawn Round Ceiling Pan Steel / Old Work	4" Round Plastic / New York	4" Drawn Round Ceiling Pan Steel	4" Round Plastic / New Work	4" Dia. Ceiling Box With Bar Plastic / New York
Exterior LXWXH	3.2" x 3.2" x 1.55"	3.54" x 3.54" x 1.55"	3.38" Rd. x 0.5" Dep.	4" Dia. x 2.3"	4" Dia. x 0.5" Dep.	4" Dia. x 2.375"	14.5" x 4.5" x 4"
Mounting Dimension	2.75"	3.5"	2.75"	2.75" / 3.5"	3.5"	2.75" / 3.5"	2.75" / 3.5"
Fixture	JSBT 4IN / JSBT 6IN	JSBT 6IN	JSBT 4IN / JSBT 6IN	JSBT 4IN / JSBT 6IN	JSBT 6IN	JSBT 4IN / JSBT 6IN	JSBT 4IN / JSBT 6IN

	4" Square Box	WiringPro 4" Square Box	Iberville 4" Octagonal Box
Exterior LXWXH	4" x 4" x 1.5"	4" X 4" X 1.5"	4" x 4" x 1.5"
Mounting Dimension	4"	4"	4"
Fixture	JSBT 4IN	JSBT 4IN	JSBT 4IN

Canadian 4IN J-Box Bracket





Juno SlimBasics JSBT Tapered LED Surface Mount Disk Light

4" and 6" Round Disk Lights for JBox Installation

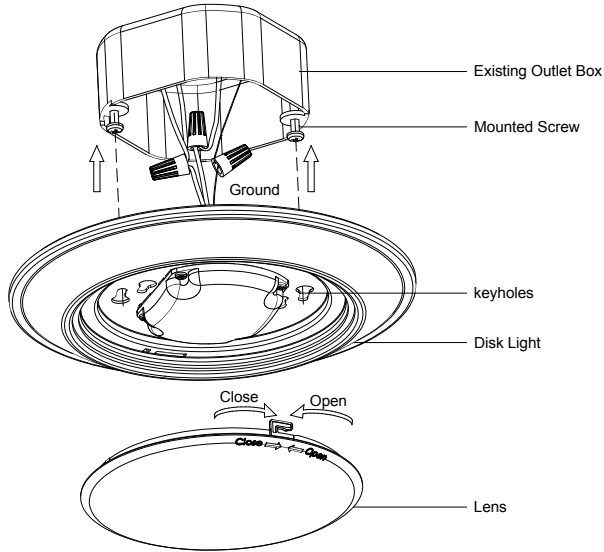


JSBT 4IN



JSBT 6IN

Exploded Drawing View



- Installs directly into industry standard junction boxes
- Compatible boxes include 3-1/2" and 4" octagon junction boxes (1-1/2" minimum depth), round mud rings with 2-3/4" mounting centers and 3" and 4" diameter non-metallic boxes
- Suitable for ceiling mount
- Suitable for use in closets, compliant when installed to NFPA® 70 NEC® Section 410.16 (A)(1) and (C)(1)

Dimmer Compatibility

Forward Phase Dimmers	Reverse Phase Dimmers	Acuity Brands Dimmers
Lutron Maestro® STCL-153	Lutron Diva ELV® DVELV-300P	Acuity SensorSwitch® Forward phase paddle dimmer/WPD WH
Lutron RadioRa® RRD-10ND	Lutron Maestro ELV® MAELV-600	
Lutron Diva® DVCL-153P		
Lutron Vive® MRF2S-6ND		
Lutron Caseta® PD-6WCL		
Leviton SureSlide® IPMO6-1LZ		
Leviton Illumatech® IPL06-1OZ		



Juno SlimBasics JSBT Tapered LED Surface Mount Disk Light

4" and 6" Round Disk Lights for JBox Installation



JSBT 4IN



JSBT 6IN

Specifications

Construction

Low profile tapered aluminum trim frame with matte finish • Molded polycarbonate, UV stabilized diffuser dome lens conceals the LEDs from direct view and provides uniform lens luminance.

LED Light Engine

LED board mounted directly to aluminum housing designed to provide superior thermal management and ensure long life • 2700K and 3000K LED color temperatures • LED's binned for 4-step MacAdam ellipse color consistency • 90 CRI minimum • Accommodates 120 volts AC at 60Hz • Dimmable with most standard magnetic low voltage and electronic low voltage dimmers.

Electrical Connections

Fixture provided with leads for direct wire connection in JBox.

Installation

Junction Box Mounting

The driverless JSBT installs directly into industry standard junction boxes that requires no separate mounting bracket for installation • Compatible boxes include 3-1/2" and 4" octagon junction boxes (1-1/2" minimum depth), round mud rings with 2-3/4" mounting centers, and 3" & 4" diameter non-metallic boxes • Provides fast installation of fully assembled fixture to JBox • Suitable for ceiling mount • Suitable for use in closets, compliant when installed to NFPA® 70 NEC® Section 410.16 (A)(1) and (C)(1).

Life

High performance, long functional life of 50,000 hrs (L70).

Labels

ETL listed for US and Canada • ENERGY STAR® Certified • Suitable for indoor wet locations • Certified to the high efficacy requirements of California T24 JA8-2019.

Testing

All reports are based on published industry procedures; field performance may differ from laboratory performance.

Warranty 5-year limited warranty. This is the only warranty provided and no other statements in this specification sheet create any warranty of any kind. All other express and implied warranties are disclaimed. Complete warranty terms located at: www.acuitybrands.com/support/warranty/terms-and-conditions

Note: Actual performance may differ as a result of end-user environment and application.

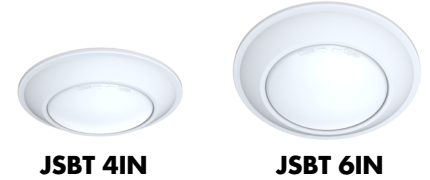
All values are design or typical values, measured under laboratory conditions at 25 °C.

Specifications subject to change without notice.



Juno SlimBasics JSBT Tapered LED Surface Mount Disk Light

4" and 6" Round Disk Lights for JBox Installation



PHOTOMETRICS

Distribution Curve

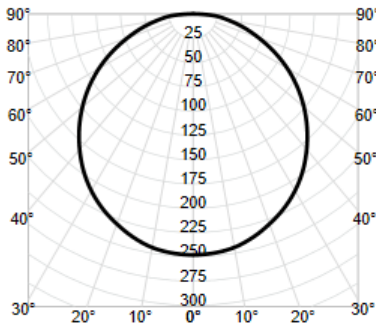
Distribution Data

Output Data

Coefficient of Utilization

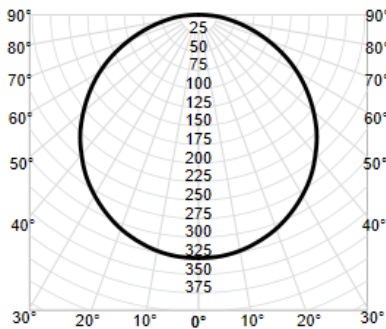
Illuminance Data at 30" Above Floor for a Single Luminaire

JSBT 4IN 30K 90CRI WL MW M6 Input Watts: 10.5, Delivered Lumens: 740, LPW: 70.5, S/MH: 1.25



CP Summary		Zonal Lumen Summary		Coefficients of Utilization								Cone of Light			Luminance (cd/sq.m)				
0°	Zone	Lumens	% Fixture	pf pc	80%		20%		50%		Mounting Height	Initial FC Center Beam	Beam Diameter	Average Luminance					
				pw	50%	30%	10%	50%	30%	10%	50%	30%	10%						
0°	248	0° - 30°	197	27%	0	117	117	117	114	114	114	109	109	109	6.0	6.9	18.4	0°	31,211
5°	247	0° - 40°	321	43%	1	101	97	93	99	95	91	95	92	88	8.0	3.9	24.5	45°	29,544
15°	238	0° - 60°	567	77%	2	88	81	75	86	80	74	83	77	73	10.0	2.5	30.6	55°	28,743
25°	221	0° - 90°	740	100%	3	77	69	62	76	68	62	73	66	61	12.0	1.7	36.7	65°	27,396
35°	197	90° - 180°	0	0%	4	68	59	53	67	59	52	64	57	52	14.0	1.3	42.9	75°	26,257
45°	166	0° - 180°	740	100%	5	61	52	45	60	51	45	58	50	45				85°	33,211
55°	131				6	55	46	40	54	45	39	52	45	39	Beam Angle: 113.7°				
65°	92				7	50	41	35	49	41	35	47	40	35	Field Angle: 168.7°				
75°	54				8	45	37	31	45	37	31	43	36	31					
85°	23				9	42	34	28	41	33	28	40	33	28					
90°	0				10	39	31	25	38	31	25	37	30	25					

JSBT 6IN 30K 90CRI WL MW M6 Input Watts: 14.4, Delivered Lumens: 981, LPW: 68.1, S/MH: 1.26



CP Summary		Zonal Lumen Summary		Coefficients of Utilization								Cone of Light			Luminance (cd/sq.m)				
0°	Zone	Lumens	% Fixture	pf pc	80%		20%		50%		Mounting Height	Initial FC Center Beam	Beam Diameter	Average Luminance					
				pw	50%	30%	10%	50%	30%	10%	50%	30%	10%						
0°	328	0° - 30°	261	27%	0	118	118	118	115	115	115	110	110	110	6.0	9.1	19.2	0°	17,981
5°	327	0° - 40°	425	43%	1	102	98	94	100	96	92	96	92	89	8.0	5.1	25.6	45°	17,521
15°	316	0° - 60°	755	77%	2	89	82	76	87	80	75	83	78	73	10.0	3.3	32.0	55°	17,108
25°	295	0° - 90°	981	100%	3	78	69	63	76	68	62	73	67	61	12.0	2.3	38.4	65°	16,474
35°	265	90° - 180°	0	0%	4	69	60	53	67	59	53	65	58	52	14.0	1.7	44.8	75°	15,250
45°	226	0° - 180°	981	100%	5	61	52	46	60	52	45	58	51	45				85°	16,354
55°	179				6	55	46	40	54	46	40	53	45	39	Beam Angle: 116.0°				
65°	127				7	50	41	35	49	41	35	48	40	35	Field Angle: 166.8°				
75°	72				8	46	37	31	45	37	31	44	36	31					
85°	26				9	42	34	28	41	34	28	40	33	28					
90°	0				10	39	31	26	38	31	26	37	30	25					



Juno SlimBasics JSBT Tapered LED Surface Mount Disk Light

4" and 6" Round Disk Lights for JBox Installation



PHOTOMETRICS

Distribution Curve

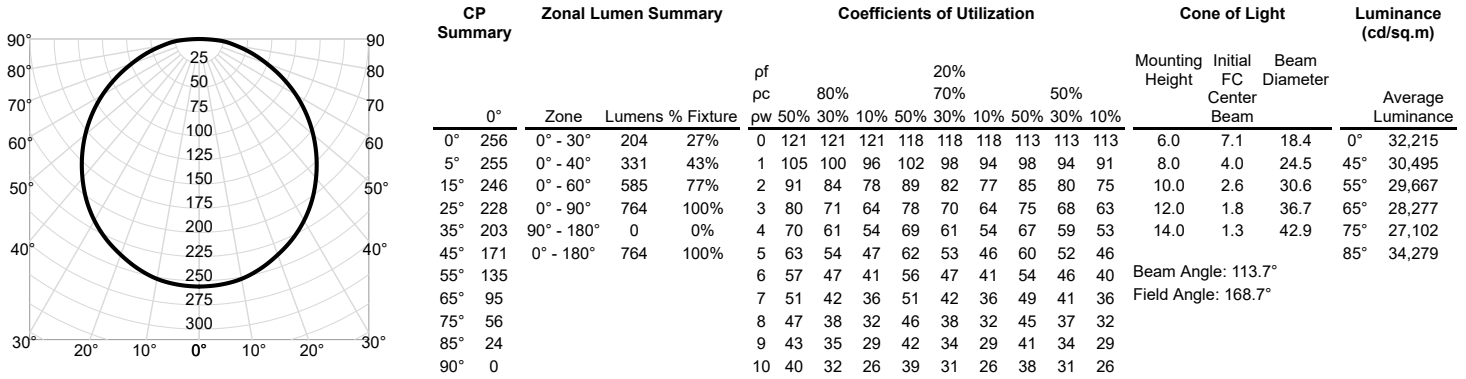
Distribution Data

Output Data

Coefficient of Utilization

Illuminance Data at 30" Above Floor for a Single Luminaire

JSBT 4IN 27K 90CRI MW WL M6 Input Watts: 10.5, Delivered Lumens: 764, LPW: 72.8, S/MH: 1.25



JSBT 6IN 27K 90CRI MW WL M6 Input Watts: 14.5, Delivered Lumens: 996, LPW: 68.7, S/MH: 1.26

