



Catalog Number
Notes
Type

Contractor Select™

RB4A SWW5

RetroBasics™ 4" Adjustable Switchable White LED Trim Kit

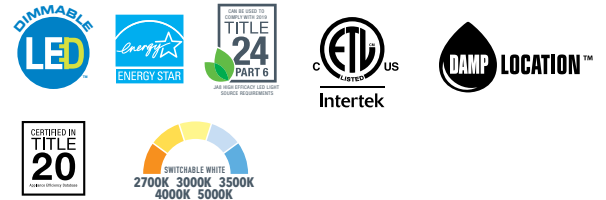
RetroBasics 4" Adjustable LED trim kits provide the most economical solution for efficiently lighting a space using LED technology with virtually zero maintenance. This LED adjustable module is designed to work in 4" housings and can be used for accent lighting and wall washing in any room. Use as an option to replace legacy incandescent technology in an already installed housing or pair with the quick connect LED housings for a low-cost LED downlight solution. The LED trim maintains at least 70% light output for 50,000 hours.



RB4A

FEATURES:

- 5 switchable white color temperatures to choose from via switch; 2700K, 3000K, 3500K, 4000K, 5000K CCT; 90 CRI. Switch is factory preset at 3000K CCT
- Dimmable flicker-free dimming from 100% to 10%
- Adjustable gimbal design provides 35° vertical aiming. Installs easily using friction springs to allow for aiming at any horizontal position in the housing.
- Robust die cast aluminum trim frame for years of trouble free operation
- Flood optic (91 beam) with regressed, diffused lens provides even light distribution for accent lighting
- Trim features quick connect plug for easy electrical connection in seconds
- Retention springs are pre-installed and designed to fit into most 4" compatible recessed housings



APPLICATIONS:

- Retrofit into existing recessed housings or use with quick connect housings for new construction or remodel applications
- Adjustable trim allows the user to aim the light which is perfect for accent lighting artwork, objects or other architectural details
- For use with housings installed in IC rated applications (direct contact with insulation)

Catalog Number	UPC	Description	Replaces Up To	Lumens	Input Watts	CCT	CRI	Voltage	Finish	Dimming Protocol	Pallet qty.
RB4A SWW5 MW M6	00196182971563	4" Adjustable Switchable White LED Trim Kit	65W Incandescent	700	8W	2700K-5000K	90	120V	White	100% to 10%	702



Pairs perfectly with Juno housings for a complete downlight solution: Order housings as separate catalog number.

QC4 Series - New Construction Quick Connect LED Housing



QC4R Series - Remodel Quick Connect LED Housing



IC1FW LEDT24 - Firewall Fire Rated Quick Connect LED Housing



PERFORMANCE DATA

RB4A	
Input Voltage	120V
Input Power Typical	8W (+/-5%)
Power Factor	.9
Frequency	60 Hz
EMI/RFI	FCC Title 47, Part 15 Class B (consumer)
Minimum Starting Temp	-20°C (-4°F) minimum

Note: Actual performance may differ as a result of end-user environment and application. All values are design or typical values, measured under laboratory conditions at 25° C

LIGHTING PERFORMANCE DATA	
DONNÉES SUR LE RENDEMENT DE L'ÉCLAIRAGE	
Light Appearance (CCT) Aspect de la lumière (CCT)	
2700K soft white blanc doux	
700 lumens 88 lumens per watt	
3000K warm white blanc chaud	
720 lumens 90 lumens per watt	
3500K neutral white blanc neutre	
730 lumens 91 lumens per watt	
4000K cool white blanc froid	
720 lumens 90 lumens per watt	
5000K daylight blanc neutre	
700 lumens 88 lumens per watt	
Watts	8
Color Accuracy (CRI) Précision des couleurs (CRI)	90



Specifications

ADJUSTABLE LED TRIM KIT:

Cast aluminum trim flange in matte white with hybrid aluminum plastic housing • Up to 35° vertical adjustment • Friction springs allows for horizontal placement anywhere within the round housing • Pressed-in diffusing lens optimized for concealing the LEDs from direct view in the on and off state • All-in-one design where LED light engine mounts directly to the trim for ease of installation into existing 4" recessed housings with medium base sockets or quick connect LED housings • Provided with push-in friction springs

LED LIGHT ENGINE:

LEDs are mounted directly to housing providing superior thermal management to ensure long life • Switchable white LED color temperature technology offers 2700K, 3000K, 3500K, 4000K, 5000K all in one trim • Switch factory set at 3000K • 90 CRI minimum • Accommodates 120 volts AC at 60Hz • Dimmable with most standard incandescent, magnetic low voltage and electronic low voltage dimmers • For a list of compatible dimmers, see [JUNORBSERIES-DIM](#)

OPTICAL SYSTEM:

Regressed, diffused lens at end of mixing chamber to provide even light distribution for accent lighting • Nominal 700L is equivalent to 65W BR30 lamp

ELECTRICAL CONNECTIONS:

Trim features quick connect plug installed as standard for installation into Juno quick connect housings with mating connector • Trim ships with a medium base socket adapter whip for installation into 4" incandescent housings with medium base sockets.

LIFE:

Rated for 50,000 hours at 70% lumen maintenance.

LABELS:

ETL certified to US and Canadian safety standards • ENERGY STAR® certified product • Suitable for damp location • NOM Certified • Can be used to comply with California Title 24 Part 6 High Efficacy LED Light Source Requirements • T20 Certified.

TESTING:

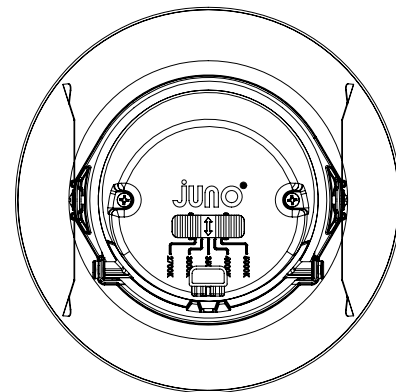
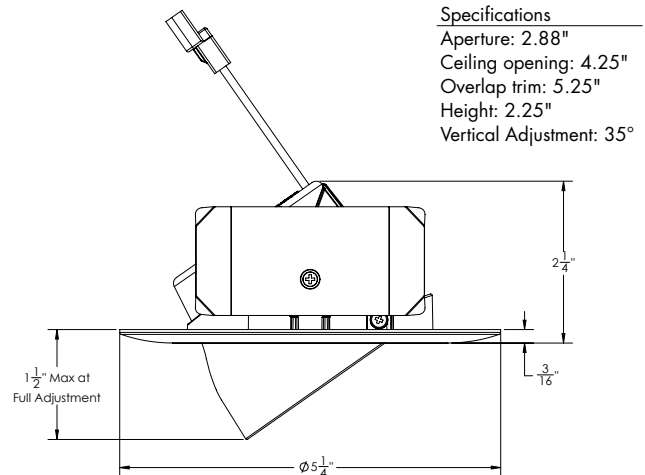
All reports are based on published industry procedures; field performance may differ from laboratory performance.

WARRANTY:

5-year limited warranty. This is the only warranty provided and no other statements in this specification sheet create any warranty of any kind. All other express and implied warranties are disclaimed. Complete warranty terms located at: www.acuitybrands.com/support/warranty/terms-and-conditions

Note: Actual performance may differ as a result of end-user environment and application. All values are design or typical values, measured under laboratory conditions at 25 °C. Specifications subject to change without notice.

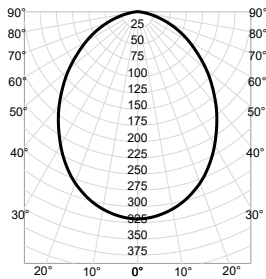
Dimensions





PHOTOMETRICS

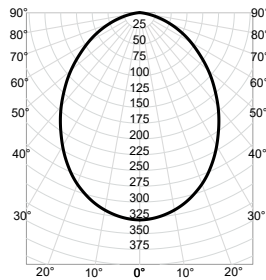
RB4A SSW5 MW M6 - 2700K Input Watts: 8.0, Delivered Lumens: 700, LPW: 87.5, S/MH: 1.12, Test No: 22-552-1P1



CP Summary				Zonal Lumen Summary				Coefficients of Utilization								Cone of Light			Luminance (cd/sq.m)
								pf	20%				Mounting Height	Initial FC Center Beam	Beam Diameter	Average Luminance			
								pc	80%	70%	50%								
0°	Zone	Lumens	% Fixture	pw	50%	30%	10%	50%	30%	10%	50%	30%	10%						
0°	0° - 30°	233	33%	0	119	119	119	116	116	111	111	111	111	6.0	8.9	12.2	0° 69,997		
5°	0° - 40°	366	52%	1	106	102	98	103	100	97	99	96	94	8.0	5.0	16.3	45° 50,351		
15°	0° - 60°	593	85%	2	93	87	82	91	86	81	88	83	79	10.0	3.2	20.4	55° 43,270		
25°	0° - 90°	700	100%	3	83	75	69	81	74	69	78	72	67	12.0	2.2	24.5	65° 36,371		
35°	90° - 180°	0	0%	4	74	66	60	73	65	59	70	64	58	14.0	1.6	28.6	75° 25,921		
45°	0° - 180°	700	100%	5	67	58	52	66	58	52	63	56	51				85° 8,528		
55°	113					6	60	52	46	59	51	46	58						
65°	70					7	55	47	41	54	46	41	53						
75°	31					8	50	42	37	50	42	37	49						
85°	3					9	47	39	33	46	38	33	45						
90°	0					10	43	35	30	43	35	30	42						

Beam Angle: 91.1°
Field Angle: 149.3°

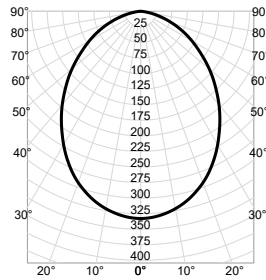
RB4A SSW5 MW M6 - 3000K Input Watts: 8.0, Delivered Lumens: 720, LPW: 90.0, S/MH: 1.12, Test No: 22-552-1P2



CP Summary				Zonal Lumen Summary				Coefficients of Utilization								Cone of Light			Luminance (cd/sq.m)
								pf	20%				Mounting Height	Initial FC Center Beam	Beam Diameter	Average Luminance			
								pc	80%	70%	50%								
0°	Zone	Lumens	% Fixture	pw	50%	30%	10%	50%	30%	10%	50%	30%	10%						
0°	0° - 30°	240	33%	0	119	119	119	116	116	111	111	111	111	6.0	9.1	12.2	0° 71,997		
5°	0° - 40°	377	52%	1	106	102	98	103	100	97	99	96	94	8.0	5.1	16.3	45° 51,790		
15°	0° - 60°	610	85%	2	93	87	82	91	86	81	88	83	79	10.0	3.3	20.4	55° 44,506		
25°	0° - 90°	720	100%	3	83	75	69	81	74	69	78	72	67	12.0	2.3	24.5	65° 37,410		
35°	90° - 180°	0	0%	4	74	66	60	73	65	59	70	64	58	14.0	1.7	28.6	75° 26,662		
45°	0° - 180°	720	100%	5	67	58	52	66	58	52	63	56	51				85° 8,769		
55°	116					6	60	52	46	59	51	46	58						
65°	72					7	55	47	41	54	46	41	53						
75°	31					8	50	42	37	50	42	37	49						
85°	3					9	47	39	33	46	38	33	45						
90°	0					10	43	35	30	43	35	30	42						

Beam Angle: 91.1°
Field Angle: 149.3°

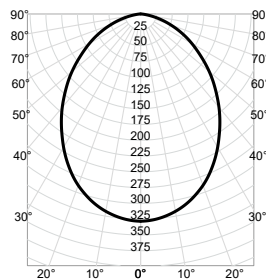
RB4A SSW5 MW M6 - 3500K Input Watts: 8.0, Delivered Lumens: 730, LPW: 91.3, S/MH: 1.12, Test No: 22-552-1P3



CP Summary				Zonal Lumen Summary				Coefficients of Utilization								Cone of Light			Luminance (cd/sq.m)
								pf	20%				Mounting Height	Initial FC Center Beam	Beam Diameter	Average Luminance			
								pc	80%	70%	50%								
0°	Zone	Lumens	% Fixture	pw	50%	30%	10%	50%	30%	10%	50%	30%	10%						
0°	0° - 30°	243	33%	0	119	119	119	116	116	111	111	111	111	6.0	9.2	12.2	0° 72,997		
5°	0° - 40°	382	52%	1	106	102	98	103	100	97	99	96	94	8.0	5.2	16.3	45° 52,509		
15°	0° - 60°	618	85%	2	93	87	82	91	86	81	88	83	79	10.0	3.3	20.4	55° 45,124		
25°	0° - 90°	730	100%	3	83	75	69	81	74	69	78	72	67	12.0	2.3	24.5	65° 37,929		
35°	90° - 180°	0	0%	4	74	66	60	73	65	59	70	64	58	14.0	1.7	28.6	75° 27,032		
45°	0° - 180°	730	100%	5	67	58	52	66	58	52	63	56	51				85° 8,891		
55°	118					6	60	52	46	59	51	46	58						
65°	73					7	55	47	41	54	46	41	53						
75°	32					8	50	42	37	50	42	37	49						
85°	4					9	47	39	33	46	38	33	45						
90°	0					10	43	35	30	43	35	30	42						

Beam Angle: 91.1°
Field Angle: 149.3°

RB4A SSW5 MW M6 - 4000K Input Watts: 8.0, Delivered Lumens: 720, LPW: 90.0, S/MH: 1.12, Test No: 22-552-1P4



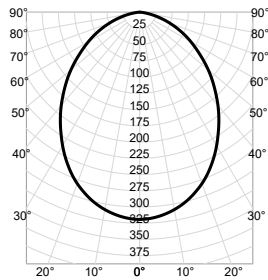
CP Summary				Zonal Lumen Summary				Coefficients of Utilization								Cone of Light			Luminance (cd/sq.m)
								pf	20%				Mounting Height	Initial FC Center Beam	Beam Diameter	Average Luminance			
								pc	80%	70%	50%								
0°	Zone	Lumens	% Fixture	pw	50%	30%	10%	50%	30%	10%	50%	30%	10%						
0°	0° - 30°	240	33%	0	119	119	119	116	116	111	111	111	111	6.0	9.1	12.2	0° 71,997		
5°	0° - 40°	377	52%	1	106	102	98	103	100	97	99	96	94	8.0	5.1	16.3	45° 51,790		
15°	0° - 60°	610	85%	2	93	87	82	91	86	81	88	83	79	10.0	3.3	20.4	55° 44,506		
25°	0° - 90°	720	100%	3	83	75	69	81	74	69	78	72	67	12.0	2.3	24.5	65° 37,410		
35°	90° - 180°	0	0%	4	74	66	60	73	65	59	70	64	58	14.0	1.7	28.6	75° 26,662		
45°	0° - 180°	720	100%	5	67	58	52	66	58	52	63	56	51				85° 8,769		
55°	116					6	60	52	46	59	51	46	58						
65°	72					7	55	47	41	54	46	41	53						
75°	31					8	50	42	37	50	42	37	49						
85°	3					9	47	39	33	46	38	33	45						
90°	0					10	43	35	30	43	35	30	42						

Beam Angle: 91.1°
Field Angle: 149.3°



PHOTOMETRICS

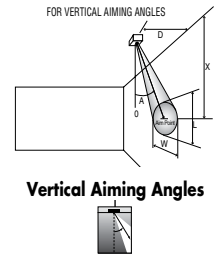
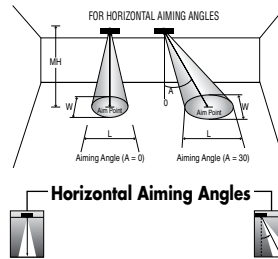
RB4A SWW5 MW M6 - 5000K Input Watts: 8.0, Delivered Lumens: 700, LPW: 87.5, S/MH: 1.12, Test No: 22-552-1P5



CP Summary		Zonal Lumen Summary		Coefficients of Utilization								Cone of Light			Luminance (cd/sq.m)			
0°	Zone	Lumens	% Fixture	pf	20%				50%				Mounting Height	Initial FC Center Beam	Beam Diameter	Average Luminance		
				pc	50%	30%	10%	50%	30%	10%	50%	30%	10%					
0°	0° - 30°	233	33%	0	119	119	119	116	116	111	111	111	111	6.0	8.9	12.2	0°	69,997
5°	0° - 40°	366	52%	1	106	102	98	103	100	97	99	96	94	8.0	5.0	16.3	45°	50,351
15°	0° - 60°	593	85%	2	93	87	82	91	86	81	88	83	79	10.0	3.2	20.4	55°	43,270
25°	0° - 90°	700	100%	3	83	75	69	81	74	69	78	72	67	12.0	2.2	24.5	65°	36,371
35°	90° - 180°	0	0%	4	74	66	60	73	65	59	70	64	58	14.0	1.6	28.6	75°	25,921
45°	0° - 180°	700	100%	5	67	58	52	66	58	52	63	56	51				85°	8,526
55°	113			6	60	52	46	59	51	46	58	51	45					
65°	70			7	55	47	41	54	46	41	53	46	40					
75°	31			8	50	42	37	50	42	37	49	41	36					
85°	3			9	47	39	33	46	38	33	45	38	33					
90°	0			10	43	35	30	43	35	30	42	35	30					

CBCP • Centerbeam candlepower
FC • Footcandles at beam center (aim point)

In vertical aiming applications, aim point (X) is determined by dividing distance from the wall (D) by the tangent of the desired aim angle (A) (0.5774 for 30°, 1.0 for 45°).



FIXTURE	BEAM SPREAD°	CBCP	0°				30°			30°				
			MH	FC	L	W	FC	L	W	D	FC	X	L	W
RB4A SWW5 MW M6 - 3000K	91°	328	3	36	6.1	6.1	24	12.5	7.1	1	43	1.7	*	4.0
			4	21	8.2	8.2	13	16.6	9.4	2	10	3.5	*	8.2
			5	13	10.2	10.2	9	20.8	11.8	3	5	5.2	*	12.2
			6	9	12.2	12.2	6	24.9	14.1	4	3	6.9	*	16.3
			7	7	14.3	14.3	4	29.1	16.5	5	2	8.7	*	20.5

*Covers full length of wall based on typical mounting heights of 8-12 feet.