

# JUNO®

Project: \_\_\_\_\_

Fixture Type: \_\_\_\_\_

Location: \_\_\_\_\_

Contact/Phone: \_\_\_\_\_

## 6" IC 600 LUMEN LED DOWNLIGHT NEW CONSTRUCTION

IC22LED (G4 06LM) RECESSED HOUSING



### OPEN TRIMS



### PRODUCT DESCRIPTION

Dedicated LED, Air-Loc® sealed new construction housing with integral light engine

- Shallow housing allows for fit in 2 x 6 construction
- Can be completely covered with insulation
- Fully sealed housing stops infiltration and exfiltration of air, reducing heating and air cooling costs without the use of additional gaskets
- LED housing is designed to provide 50,000 hours of life and is compatible with many standard Juno trims
- 5 year limited warranty on LED components.

### ENVIRONMENTALLY FRIENDLY, ENERGY EFFICIENT

- No harmful ultraviolet or infrared wavelengths
- No lead or mercury
- Comparable light output to 65W BR30 incandescent

### PRODUCT SPECIFICATIONS

**LED Light Engine** LED array integrated to thermally conductive housing provides uninterrupted heat transfer to ensure long life of the LED

- Replaceable light engine mounts directly to housing and incorporates the latest generation, high lumen output LED array
- LEDs are binned within a 3-step MacAdam Ellipse exceeding ENERGY STAR® requirements for superior fixture to fixture color uniformity
- 2700K, 3000K, 3500K or 4000K color temperature available
- 90 CRI minimum.

**Optical System** Computer-optimized reflector design with high reflectance white finish coupled with a high transmission diffusing lens conceals the LEDs and produces uniform aperture luminance

- Deep regression of lens produces a low glare, efficient system that can produce over 600 lumens with select trims (see page 2 for details) using less than 9W\*
- Wide flood distribution (>70°) shipped as standard with optional optic accessories available and sold separately.

**Aesthetic Trim Selections** Compatible with wide selection of existing Juno trims

- Shadow free, knife edge design blends seamlessly into ceiling.

**LED Driver** Choice of dedicated 120 volt (120) driver or universal voltage (MVOLT) driver that accommodates input voltages from 120-277 volts AC at 50/60Hz

- Power factor > 0.9 at 120V input
- 120 volt only dimmable with the use of most incandescent, magnetic low voltage and electronic low voltage wall box dimmers
- Universal voltage driver is dimmable with the use of most 0-10V wall dimmers

For a list of compatible dimmers, see [JUNOICLED-DIM](#)

- Mounted between the j-box and housing for easy access and cool operation.

**Life** Rated for 50,000 hours at 70% lumen maintenance.

**Labels** ENERGY STAR® Certified when used with select baffle and cone trims

- Certified to the high efficacy requirements of California T24 JA8-2016 with select trims
- UL listed for U.S. and Canada through-branch wiring, damp locations
- Union made
- UL and cUL.

**Testing** All reports are based on published industry procedures; field performance may differ from laboratory performance.

Specifications subject to change without notice.

### HOUSING FEATURES

**Housing** Designed for use in IC (insulated ceiling) or non-IC construction

- Aluminum housing sealed for Air-Loc® compliance
- Housing is vertically adjustable to accommodate up to a 2" ceiling thickness.

**Junction Box** Pre-wired junction box provided with (5) 1/2" and (1) 3/4" knockouts, (4) knockouts for 12/2 or 14/2 NM cable and ground wire

- UL listed and cUL listed for through-branch wiring, maximum 8 #12 branch circuit conductors
- Junction box provided with removable access plates
- Knockouts equipped with pryout slots

- Quick connect electrical connectors supplied as standard for fast, secure installation.

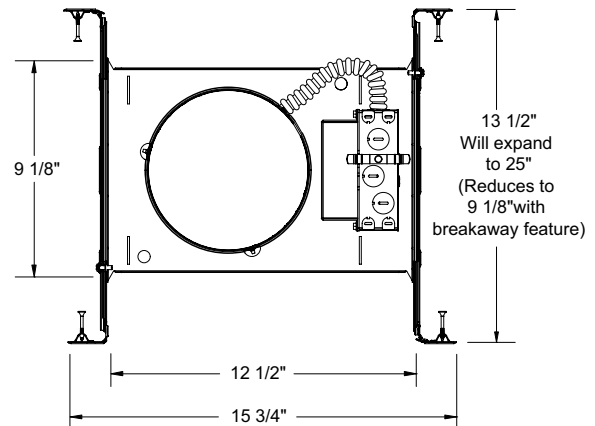
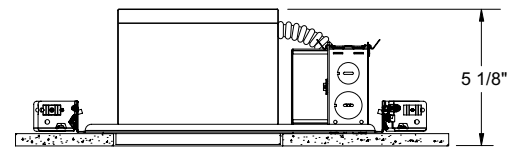
**Mounting Frame** 22-gauge die-formed galvanized steel mounting frame

- Rough-in section (junction box, mounting frame, housing and bar hangers) fully assembled for ease of installation.

**Real Nail 3 Bar Hangers** Telescoping Real Nail® 3 system permits quick placement of housing anywhere within 24" O.C. joists or suspended ceilings

- Includes removable nail for repositioning of fixture in wood joist construction
- Integral T-bar notch and clip for suspended ceilings
- Design covered under US Patent D552,969.

### DIMENSIONS



6 7/8" CEILING CUTOUT

### ELECTRICAL DATA

#### Dedicated 120V Only Driver Option

120V	
Input Power	8.6W (+/-5%)
Input Current	0.07A
Frequency	50/60Hz
EMI/RFI	FCC Title 47 CFR, Part 15 Class B (residential)
Minimum starting temp	-25°C

### ELECTRICAL DATA

#### Universal Voltage

	120V	277V
Input Power	8.7W (+/-5%)	8.9W (+/-5%)
Input Current	0.07A	0.04A
Frequency	50/60Hz	50/60Hz
EMI/RFI	FCC Title 47 CFR, Part 15 Class A (commercial)	FCC Title 47 CFR, Part 15 Class A (commercial)
Minimum starting temp	-40°C	-40°C

# 6" IC 600 LUMEN LED DOWNLIGHT NEW CONSTRUCTION

## IC22LED (G4 06LM) RECESSED HOUSING OPEN TRIMS

**ORDERING INFORMATION** Housing and trim can be ordered together or separate, but will always ship separately.

**Example:** IC22LED G4 06LM 27K 90CRI 120 FRPC

Series	Generation	Lumens	Color Temperature	CRI	Voltage	Driver
IC22LED 6" LED New Construction Downlight	G4 Generation 4	06LM 600 Nominal Lumens	27K 2700K	90CRI 90+ CRI	120 120V	FRPC Forward/Reverse Phase Cut
			30K 3000K			
			35K 3500K			
			40K 4000K			
					MVOLT Multi-Volt (120-277V)	ZT 0-10V Dimming Driver

Notes: Order 120 with FRPC only, Order MVOLT with ZT only.

### Trim/Description

	<b>24 BABZ</b> <sup>1,2</sup> 6" Downlight Tapered Black Baffle, Classic Aged Bronze Trim Ring		<b>9024 WWH</b> White Octagonal w/ White Baffle
	<b>24 BBL</b> <sup>1,2</sup> 6" Downlight Tapered Black Baffle, Black Trim Ring		<b>9324 SC</b> Luminous Disk (Frosted)
	<b>24 BSC</b> <sup>1,2</sup> 6" Downlight Tapered Black Baffle, Satin Chrome Trim Ring		<b>9524 SC</b> Chrome Band
	<b>24 BWH</b> <sup>1,2</sup> 6" Downlight Tapered Black Baffle, White Trim Ring		<b>9702</b> Luminous Collar (Frosted)
	<b>24 WWH</b> 6" Downlight Tapered White Baffle, White Trim Ring		
	<b>27 BWH</b> <sup>1,2</sup> 6" Downlight Tapered Black Cone, White Trim Ring		
	<b>27 CWH</b> 6" Downlight Tapered Clear Cone Alzak®, White Trim Ring		
	<b>27 GWH</b> 6" Downlight Tapered Gold Cone, White Trim Ring		
	<b>27 HZWH</b> 6" Downlight Tapered Haze Cone, White Trim Ring		
	<b>27 PTSC</b> 6" Downlight Tapered Pewter Cone, Satin Chrome Trim Ring		
	<b>27 WHZABZ</b> 6" Downlight Tapered Wheat Haze Cone, Classic Aged Bronze Trim Ring		
	<b>27 WHZWH</b> 6" Downlight Tapered Wheat Haze Cone, White Trim Ring		
	<b>27 WWH</b> 6" Downlight Tapered White Cone, White Trim Ring		

Trim Size: 24, 27, 9324, 9524 - 7 $\frac{3}{8}$ " O.D.; 9702 - 7 $\frac{3}{4}$ " O.D.; 9024 - 8" O.D.

Alzak is a registered trademark of Alcoa Corp.

Note: In Canada when insulation is present, Type IC fixtures must be used.

<sup>1</sup> Not ENERGY STAR® Certified

<sup>2</sup> 120V and Multi-Volt: T24 @ 30K, 35K, 40K only

### Accessories (ordered separately)

Catalog Number	Description
LEDOPTICG3 MFL	Medium Flood Optic (50°)
LEDOPTICG3 NFL	Narrow Flood Optic (37°)
LEDOPTICG3 SP	Spot Optic (10°)

To order, specify catalog number.

Catalog Number	Description
TR6 ABZ	6" Trim Ring - Classic Aged Bronze
TR6 BL	6" Trim Ring - Black
TR6 SC	6" Trim Ring - Satin Chrome
TR6 WH	6" Trim Ring - White

To order, specify catalog number.

\*TR6 available for 24 and 27 trim series only

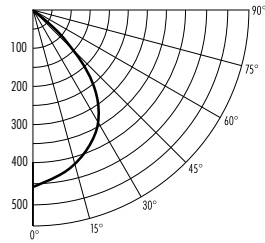
# 6" IC 600 LUMEN LED DOWNLIGHT NEW CONSTRUCTION

IC22LED (G4 06LM) RECESSED HOUSING  
OPEN TRIMS

## PHOTOMETRICS

### PHOTOMETRIC REPORT

**Test Report #:** PT02141401  
**Catalog No:** IC22LED G4 06LM 35K with  
24 WWH Trim and standard wide flood optic  
**Luminaire Spacing Criterion:** 1.16  
**Luminaire LPW:** 85



### CANDLEPOWER DISTRIBUTION (Candelas)

Degrees Vertical	0°
0	455
5	451
15	424
25	378
35	297
45	134
55	59
65	29
75	17
85	4
90	0

Multiplier: 27K - 0.89  
30K - 0.94  
40K - 1.03

### AVERAGE INITIAL FOOTCANDLES

Multiple Units (Square Array, 60'x60' room)  
Ceiling 80% Wall 50% Floor 20%

Spacing	RCR1	RCR3	RCR5
4.0'	49	41	34
5.0'	32	26	22
6.0'	22	18	15
7.0'	18	15	12
8.0'	14	12	10
9.0'	11	9	7
10.0'	8	7	5

### INITIAL FOOTCANDLES (One Unit, 8.6W , 78.8° Beam)

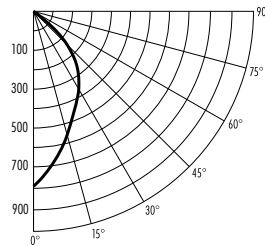
Distance to Illuminated Plane (Feet)	Footcandles Beam Center	Beam Diameter
4	28.4	6.6'
6	12.6	9.9'
8	7.1	13.1'
10	4.5	16.4'

### LUMINANCE (Average cd/m<sup>2</sup>)

Degrees	Average Luminance
45	10410
55	5634
65	3758
75	3756
85	2451

### PHOTOMETRIC REPORT

**Test Report #:** LTL25975R  
**Catalog No:** IC22LED G4 06LM 35K with  
27 CWH Trim and standard wide flood optic  
**Luminaire Spacing Criterion:** 0.78  
**Luminaire LPW:** 93



### CANDLEPOWER DISTRIBUTION (Candelas)

Degrees Vertical	0°
0	797
5	749
15	569
25	446
35	318
45	152
55	48
65	10
75	0
85	0
90	0

Multiplier: 27K - 0.89  
30K - 0.94  
40K - 1.03

### AVERAGE INITIAL FOOTCANDLES

Multiple Units (Square Array, 60'x60' room)  
Ceiling 80% Wall 50% Floor 20%

Spacing	RCR1	RCR3	RCR5
4.0'	55	46	40
5.0'	35	30	25
6.0'	25	21	18
7.0'	20	17	14
8.0'	16	13	11
9.0'	12	10	9
10.0'	9	7	6

### INITIAL FOOTCANDLES (One Unit, 8.6W , 58.1° Beam)

Distance to Illuminated Plane (Feet)	Footcandles Beam Center	Beam Diameter
4	49.8	4.4'
6	22.2	6.7'
8	12.5	8.9'
10	8.0	11.1'

### LUMINANCE (Average cd/m<sup>2</sup>)

Degrees	Average Luminance
45	12833
55	5012
65	1389
75	0
85	0

Fixtures tested to IES recommended standard for solid state lighting per LM-79-08. Photometric performance on a single unit represents a baseline of performance for the fixture. Results may vary in the field.