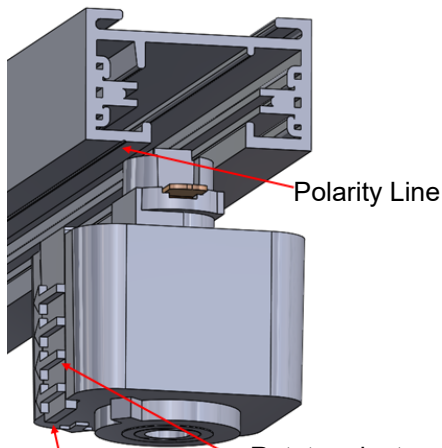


SAVE THESE INSTRUCTIONS

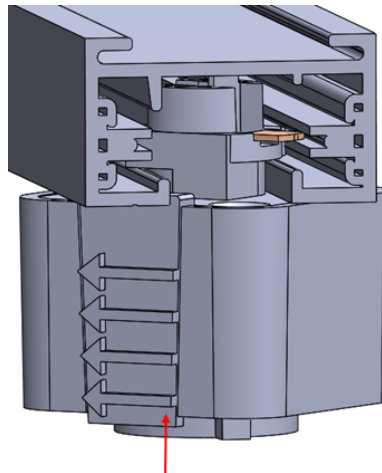
Find the latch and the polarity line.
Align parts as shown below and
insert the adapter box into the track



Rotate adapter
box opposite the
arrows

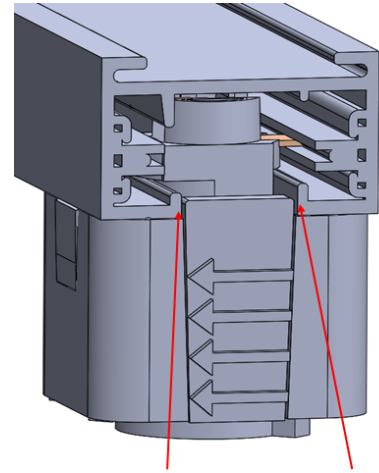
Latch on adapter box

Rotate the adapter box
opposite the arrows until
the latch snaps in place
between the two track rails



Continue to depress latch
until final position

Final Position



Latch snaps into place between
rails

