



# UNDERCABINET LIGHTING

PRO-SERIES HALOGEN

20W - 12-volt Halogen Lamps

**ULH109, ULH214,  
ULH322 and ULH430**

Project: \_\_\_\_\_

Fixture Type: \_\_\_\_\_

Location: \_\_\_\_\_

Contact/Phone: \_\_\_\_\_

## PRODUCT DESCRIPTION

The Pro-Series Halogen modular series with integral electronic transformer operates 12-volt halogen lamps to deliver the best color rendering with maximum light out put and lamp life. The efficient operation of low voltage lamps, along with a unique housing/reflector system, reduces mounting surface temperatures well below what is typical for halogen undercabinet fixtures. Pro-Series Halogen fixtures are optimized for fast permanent installation, mounting either flush to the rear backsplash or to the front lip of cabinetry to suit project conditions and homeowner preference.

## PRODUCT SPECIFICATIONS

**Lamps** 20W-12-volt halogen bi-pin lamps supplied with fixture  
• Projected 6,000 hour life based on actual operating voltage in fixture.

**Transformer** Integral electronic 120 to 12-volt step down transformer is accessible for maintenance without having to remove fixture.

**Housing** Extruded Aluminum • Designer white, black, brushed bronze, or brushed silver finish.

**Reflector** Specular aluminum reflector behind each lamp.

**Diffuser** Clear prismatic tempered glass lens for maximum light transmission • Reverse-angled to minimize perceived brightness  
• Captive lens has hinged design for tool-less relamping • Spring loaded retention bar prevents lens from accidentally being bumped loose.

**Switch** Convenient integral Hi/Lo/Off rocker switch.

**Dimming** For best results use dimmer specifically designed for use with electronic low voltage transformers.

**Labels** UL Listed.

## INSTALLATION

ULH series fixtures optimized with a center rear wiring access compartment and push-in 3-wire electrical connectors for quick electrical connection without having to open the fixture or remove the lens. Rear wiring access compartment covers provided with push-in connector for non-metallic cable and knockout for feed thru wiring capability. Multiple off-center knockouts provided in two, three and four lamp fixtures. Die-cast fitting for 3/8" flexible metal conduit supplied in a hardware pack. Fixtures may be mounted flush to the backsplash or up against the front lip of the cabinetry using captive mounting screws.

**Portable** To install a portable fixture, use the optional 3-wire grounded cord & plug (ULH-CP sold separately).

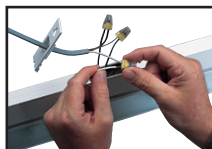
**Optional Direct Wire** Optional direct wire module (ULH-DWM sold separately) facilitates code-compliant installation of fixture at front edge of cabinetry. Supplied with 36" field-shortenable jumper cord to bring power to either end of the fixture.

**Electrically Connecting Multiple Fixtures** Up to 10 fixtures may be electrically joined together using either the straight joiner connector supplied with each fixture or the optional JC3 jumper cords • See accessories table for lengths and finishes.

## PRO-SERIES HALOGEN 5 MINUTE DIRECT-WIRE INSTALLATION



**Step 1** Attach supply wires to rear access cover.

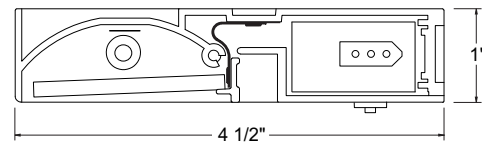


**Step 2** Connect supply wires to fixture leads using push-in connectors.



**Step 3** Mount fixture to cabinet bottom using captive mounting screws.

## DIMENSIONS



## ENGINEERING DATA

	ULH109	ULH214	ULH322	ULH430
Total input power (watts)	20	40	60	80
Total Operating AMPS	.17	.34	.50	.70
Power Factor	.99	.99	.99	.99

## PRODUCT CODES

Catalog Number	Finish	Overall Length	Lamp
ULH109-BL	Black	9½"	1-20W
ULH109-BZ	Brushed Bronze	9½"	1-20W
ULH109-SL	Brushed Silver	9½"	1-20W
ULH109-WH	Designer White	9½"	1-20W
ULH214-BL	Black	14"	2-20W
ULH214-BZ	Brushed Bronze	14"	2-20W
ULH214-SL	Brushed Silver	14"	2-20W
ULH214-WH	Designer White	14"	2-20W
ULH322-BL	Black	22"	3-20W
ULH322-BZ	Brushed Bronze	22"	3-20W
ULH322-SL	Brushed Silver	22"	3-20W
ULH322-WH	Designer White	22"	3-20W
ULH430-BL	Black	30"	4-20W
ULH430-BZ	Brushed Bronze	30"	4-20W
ULH430-SL	Brushed Silver	30"	4-20W
ULH430-WH	Designer White	30"	4-20W

## ACCESSORIES

Catalog No.	Description
JC3-8-WH,-BL	8" Jumper Cord
JC3-17-WH,-BL	17" Jumper Cord
JC3-26-WH,-BL	26" Jumper Cord
ULH-CONN	3/8" Miniature Die Cast Electrical Connector
ULH-CP-WH,-BL	3-Wire Grounded Cord & Plug
ULH-DWM-WH,-BL	Direct-Wire Module

# UNDERCABINET LIGHTING

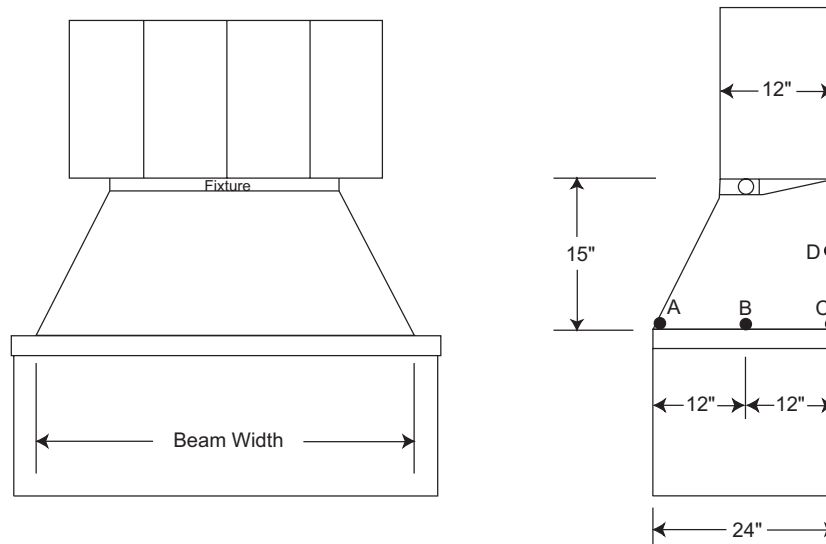
PRO-SERIES HALOGEN

20W - 12-volt Halogen Lamps

**ULH109, ULH214,  
ULH322 and ULH430**

## LIGHTING APPLICATION DATA

### FOOTCANDLES ON HORIZONTAL WORK SURFACE



Footcandles						
Cat #	Lamps	* Beam Width	A	B	C	D
<b>ULH109</b>	(1) 20-watt Halogen	21"	8	29	26	34
<b>ULH214</b>	(2) 20-watt Halogen	23"	14	52	46	52
<b>ULH322</b>	(3) 20-watt Halogen	31"	23	72	63	59
<b>ULH430</b>	(4) 20-watt Halogen	36"	23	74	69	61

\*Beam width defined as 50% of maximum footcandles

Rear Wall Reflectance 50%

Counter Surface Reflectance 20%



1300 S. Wolf Road • Des Plaines, IL 60018 • Phone (847) 827-9880 • Fax (847) 827-2925  
 220 Chrysler Drive • Brampton, Ontario • Canada L6S 6B6 • Phone (905) 792-7335 • Fax (905) 792-0064  
 Visit us at [www.junolightinggroup.com](http://www.junolightinggroup.com)

Printed in U.S.A. ©2016 Acuity Brands Lighting, Inc.