

Seat shall be Comfort™ Seats

## Model Number C014WD Metal Hinge

Consumer Package Model # C3B4E2 Metal Hinge

## Deluxe Molded Wood w/Decorative Metal Hinges Toilet Seat

Elongated Closed Front with Cover

### Category

RESIDENTIAL

### Features

- Durable molded wood
- Multi-coat high gloss enamel paint
- UV paint color protection
- Color matching and bumpers
- Varnish coated hinges for added life
- Four bumpers on ring for stability
- Non-skid rubberized washer
- Corrosion resistant stainless steel screws
- Corrosion proof hardware

### Seat Color/Finish

Specify white, bone or black

### Hinge Color/Finish

Specify hinges - brass, chrome, brushed nickel, white powder coat, brass/chrome, white powder coat/chrome, oil rubbed bronze

### Product Specifications

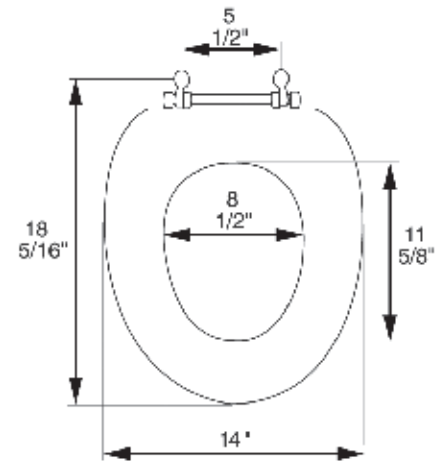
Hinge Design: Chrome, White Powder Coat, Brass, Chrome/White Powder Coat Combo, Brushed Nickel, Chrome/Brass Combo, Oil Rubbed Bronze

Ring Thickness: 3/4"

Ring Thickness with Bumper: 1 1/8"

Height of Seat with Cover: 2 1/4"

Size: ANSI Standard Toilet



### Additional Information

Comfort™ Seats molded wood utilizes the finest paint to seal and beautify the molded wood core with deep lustrous color and rock hard enamel durability.



Chrome



White Powder Coat



Brass



Chrome/White Powder Coat Combo



Brushed Nickel



Chrome/Brass Combo



Oil Rubbed Bronze