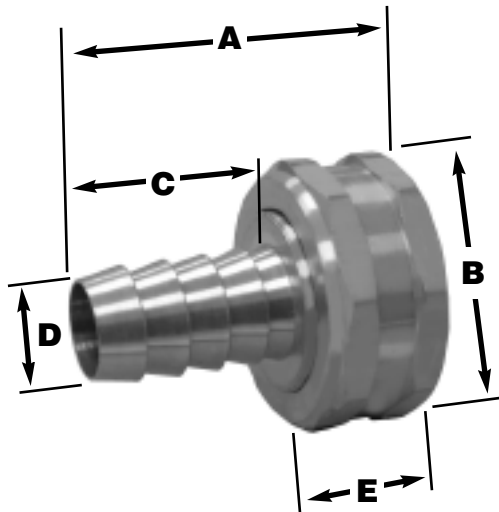


SPECIFICATION SUBMITTAL SHEET

j o n e s s t e p h e n s c o r p o r a t i o n

BRASS GARDEN HOSE FITTINGS HOSE BARB TO FEMALE HOSE SWIVEL



features and benefits:

This product and others like it can be found in the Jones Stephens catalog. Call today to order your catalog or download it from our website: www.plumbest.com

PART NO.	HB x FHT	A	B	C	D	E
<input type="checkbox"/> G20-035	3/8" x 3/4"	1-1/2"	1-3/16"	7/8"	3/8"	5/8"
<input type="checkbox"/> G20-036	1/2" x 3/4"	1-1/2"	1-3/16"	7/8"	1/2"	5/8"
<input type="checkbox"/> G20-037	5/8" x 3/4"	1-1/2"	1-3/16"	7/8"	5/8"	5/8"
<input type="checkbox"/> G20-038	3/4" x 3/4"	1-1/2"	1-3/16"	7/8"	3/4"	5/8"

jones stephens corporation
3249 moody parkway • moody, alabama 35004
toll free phone: 1-800-355-6637 • toll free fax: 1-800-462-6991
www.plumbest.com