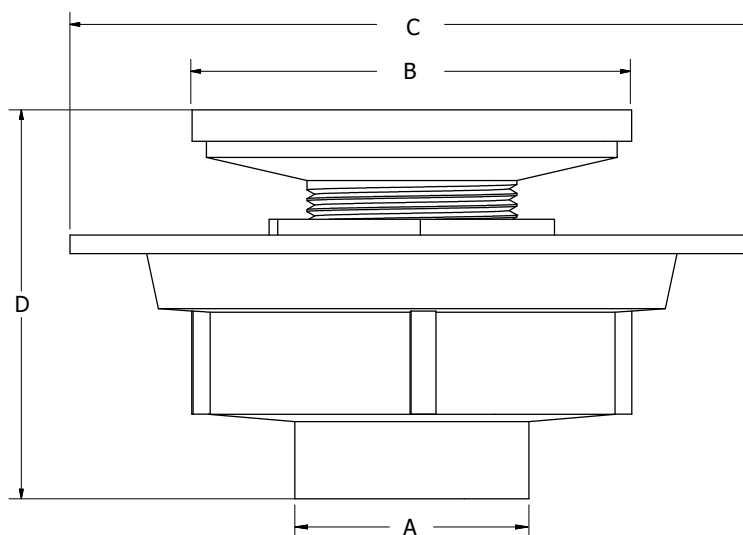


2" SHOWER DRAIN WITH 2" BRASS SPUD AND 4" STRAINER



- Fits over 2" Schedule 40 DWV pipe
- Comes with round screw-in strainer
- Screw-down clamping ring has weep holes for secondary drainage
- Adjustable to meet most applications
- 7" pan
- Recessed sump area for added drainage



Part No.			Strainer - Shape	Strainer - Finish	A - Pipe Size	B	C	D
PVC	ABS	PVC w/ Test Plug						
D50710	D50713	D50710TP	Round	Stainless Steel	2.37" ID, 2.76" OD	4.22"	7.01"	3.78"-5.15"
D50712	D50715	D50712TP	Round	Polished Brass	2.37" ID, 2.76" OD	4.22"	7.01"	3.78"-5.15"
D50711	D50714	D50711TP	Round	Chrome Plated	2.37" ID, 2.76" OD	4.22"	7.01"	3.78"-5.15"