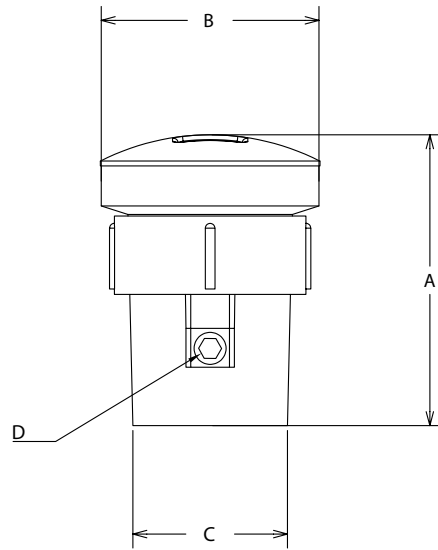




## LEVELBEST® PVC ROUGH-IN DRAINAGE KIT

- LevelBest® drainage system allows adjustment to floor level both before and after concrete is poured
- Compatible with most plastic and brass spuds
- Domed top for protection during concrete pour
- Primer tapped
- Add strainer or cleanout to complete installation



Part No.	A	B	C	D
D50494	8.10"-9.16"	6.46"	3" x 4"	1/2" NPT
D50495	7.33"-8.49"	6.46"	4"	1/2" NPT