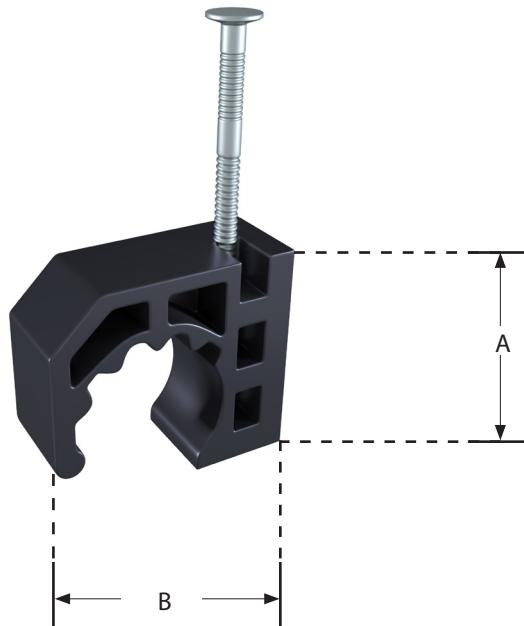




HALF CLAMP WITH NAIL

- Safely secures pipe to mounting surfaces
- Durable, corrosion-resistant plastic clamp with preloaded nail
- Isolates against dissimilar metal contact
- For copper, CPVC, PEX tubing, and other piping systems



Part No.	Tubing Size	A	B
H24038	0.37"	0.75"	0.87"
H24050	0.50"	0.87"	1.00"
H24075	0.75"	1.19"	1.37"
H24100	1.00"	1.50"	1.69"