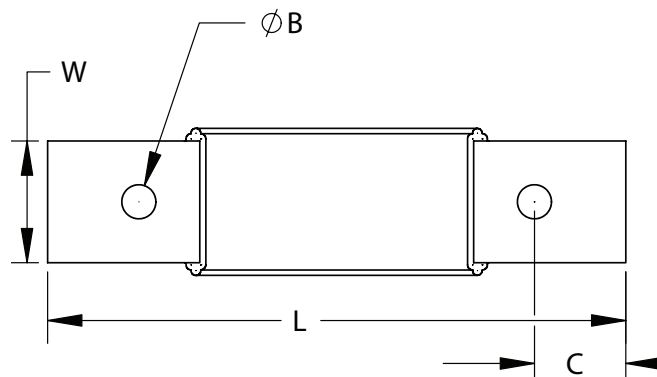
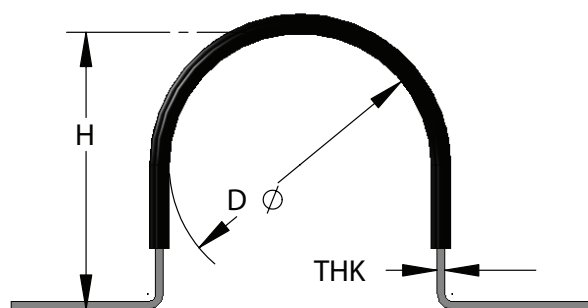


PIPE STRAP, TWO-HOLE, VINYL COATED



- Vinyl coated steel for noise reduction and corrosion prevention
- Safely secures pipe to wall, floor joist, and other surfaces
- Use with PVC, CVPC, galvanized, or other piping systems



Part No.	Size	D	H	Thk	W	L	B	C
	+Tol	.06	.03	US	.12	.25	.032	.06
	-Tol	.02	.06	Gage	.03	.12	.015	.03
H13501	1.50"	1.90	1.90	16 Ga	1.0	4.38	0.281	0.50
H13502	2"	2.38	2.38	16 Ga	1.0	4.75	0.281	0.60
H13503	3"	3.50	3.50	14 Ga	1.0	6.10	0.281	0.60
H13504	4"	4.50	4.50	14 Ga	1.0	7.40	0.281	0.60

EXTRUSION COATING MATERIAL:
SYLVIN 8925-80
HARDNESS 80-90 A DUROMETER
TENSILE STRENGTH 2400
ELONGATION % 375