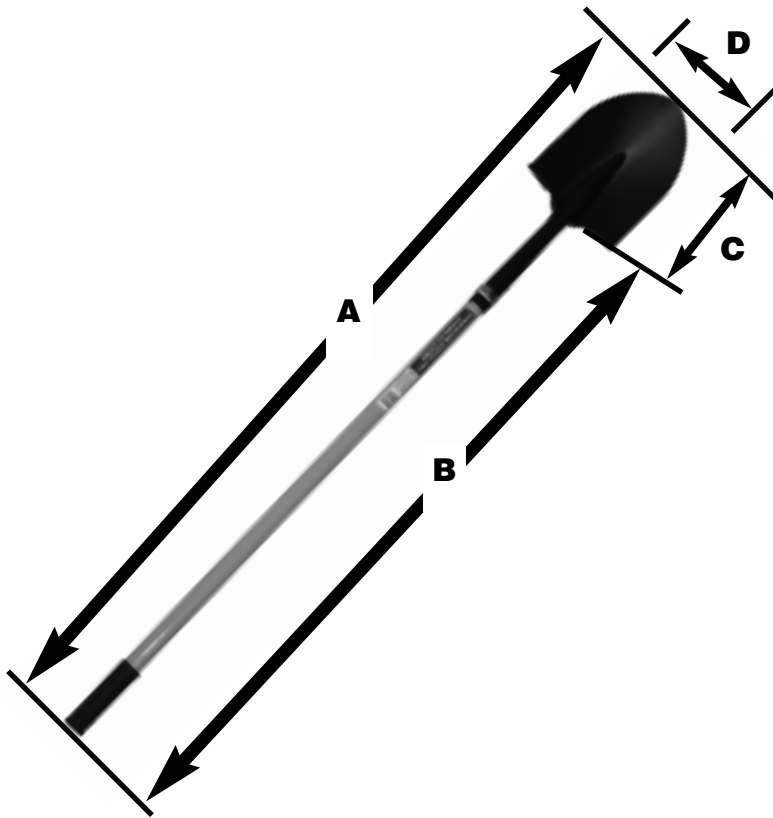


# SPECIFICATION SUBMITTAL SHEET

j o n e s   s t e p h e n s   c o r p o r a t i o n

## LONG HANDLE ROUND POINT FIBERGLASS SHOVEL



**PART NO. S49-400**

features and benefits:

This product and others like it can be found in the Jones Stephens catalog. Call today to order your catalog or download it from our website: [www.plumbest.com](http://www.plumbest.com)

**PART NO.**

**A**

**B**

**C**

**D**

□ S49-400

4'10"

4'

10"

8-1/8"

jones stephens corporation

3249 moody parkway • moody, alabama 35004

toll free phone: 1-800-355-6637 • toll free fax: 1-800-462-6991

[www.plumbest.com](http://www.plumbest.com)