

Seat shall be

Model Number U1005-00

Utility Grade - Light Duty Plastic Seat

Round Closed Front with Cover

Model Number U1006-00

Utility Grade - Light Duty Plastic Seat

Elongated Closed Front with Cover

Category

RESIDENTIAL

Features

- Injection molded durable polypropylene plastic with UV protection
- Molded in bumpers
- Corrosion proof hardware
- Top mount design

Seat Color/Finish

Specify white

Hinge Color/Finish

Specify white

Product Specifications

Hinge Design: Check hinge

Ring Height: 1/2"

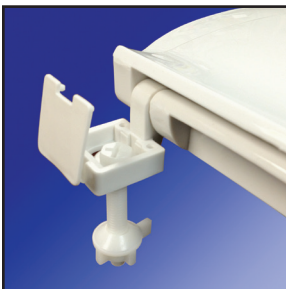
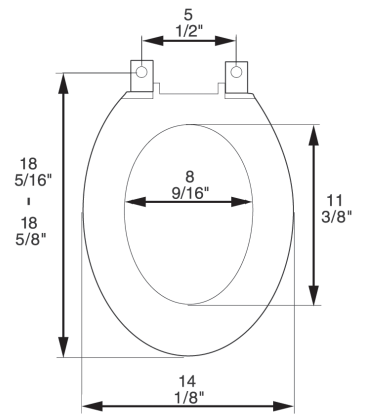
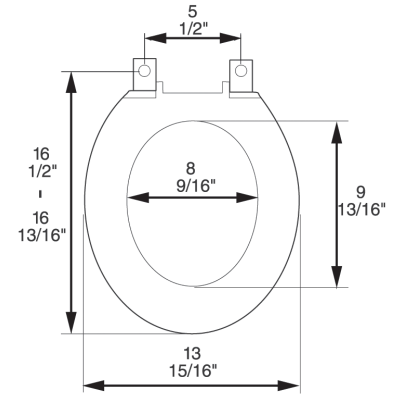
Ring Height with Bumper: 5/8"

Height of Seat with Cover: 1 1/2"

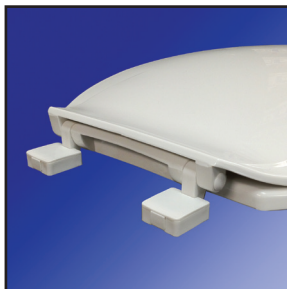
Size: ANSI Standard Toilet

Additional Information

All seats feature UV protection.



Corrosion proof, self-aligning hardware



Check hinge design