

Seat shall be Comfort™ Seats

## Model Number U003WD

### Standard Molded Wood Toilet Seat

Round Closed Front with Cover

#### Category

RESIDENTIAL

#### Features

- Deluxe contemporary design
- Durable Molded Wood
- Multi-coat high gloss enamel paint
- UV paint color protection
- Color matching hinge and bumpers
- Corrosion resistant stainless steel screws
- Corrosion proof POM nuts and bolts

#### Seat Color/Finish

Specify white

#### Hinge Color/Finish

Specify white

#### Product Specifications

Hinge Design: Plastic hinge with stainless steel screws

Ring Thickness: 3/4"

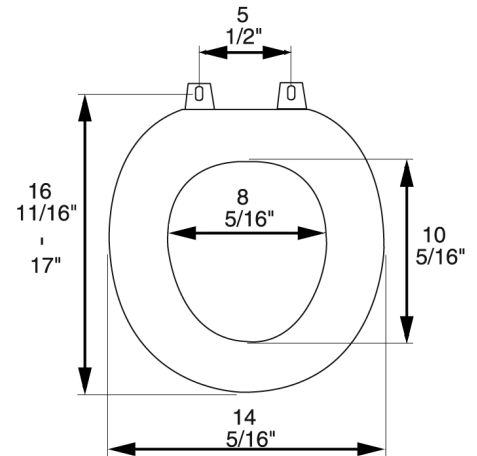
Ring Thickness with Bumper: 1 1/8"

Height of Seat with Cover: 2 1/4"

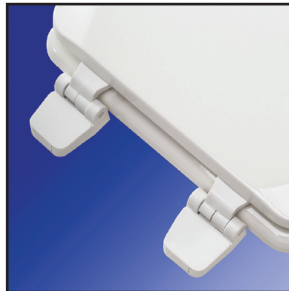
Size: ANSI Standard Toilet

#### Additional Information

Comfort™ Seats molded wood utilizes the finest paint to seal and beautify the molded wood core with deep lustrous color and rock hard enamel durability.



Corrosion proof, self-aligning hardware



Factory-installed "living" hinge covers w/stainless steel screws