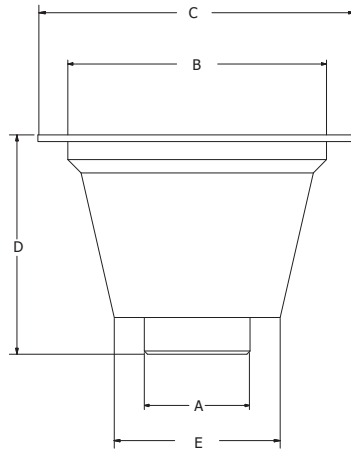


## PVC PIPE FIT FLOOR SINK

- Corrosion resistant material
- Includes sink, top grate, and bottom strainer
- Not for use with petroleum-based putties
- For light traffic area applications
- Designed to vacate all water from the sump
- IAPMO listed
- Tested and certified to ASME A112.6.7-2010



Part No.	Size	Top Grate	Bottom Grate	A	B	C	D	E
S59042	2" x 3"	Half	Dome	3.00"	9.12"	12.00"	7.75"	6.30"
S59043	3" x 4"	Half	Dome	3.97"	9.12"	12.00"	7.88"	6.30"
S59044	4"	Half	Dome	5.02"	9.12"	12.00"	8.10"	6.30"
S59052	2" x 3"	Three-Quarter	Dome	3.00"	9.12"	12.00"	7.75"	6.30"
S59053	3" x 4"	Three-Quarter	Dome	3.97"	9.12"	12.00"	7.88"	6.30"
S59054	4"	Three-Quarter	Dome	5.02"	9.12"	12.00"	8.10"	6.30"
S59062	2" x 3"	Full	Dome	3.00"	9.12"	12.00"	7.75"	6.30"
S59063	3" x 4"	Full	Dome	3.97"	9.12"	12.00"	7.88"	6.30"
S59064	4"	Full	Dome	5.02"	9.12"	12.00"	8.10"	6.30"
S59072	2" x 3"	Half	Flat	3.00"	9.12"	12.00"	7.75"	6.30"
S59073	3" x 4"	Half	Flat	3.97"	9.12"	12.00"	7.88"	6.30"
S59074	4"	Half	Flat	5.02"	9.12"	12.00"	8.10"	6.30"
S59082	2" x 3"	Three-Quarter	Flat	3.00"	9.12"	12.00"	7.75"	6.30"
S59083	3" x 4"	Three-Quarter	Flat	3.97"	9.12"	12.00"	7.88"	6.30"
S59084	4"	Three-Quarter	Flat	5.02"	9.12"	12.00"	8.10"	6.30"
S59092	2" x 3"	Full	Flat	3.00"	9.12"	12.00"	7.75"	6.30"
S59093	3" x 4"	Full	Flat	3.97"	9.12"	12.00"	7.88"	6.30"
S59094	4"	Full	Flat	5.02"	9.12"	12.00"	8.10"	6.30"