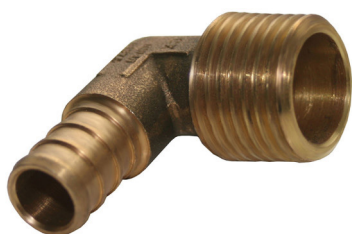
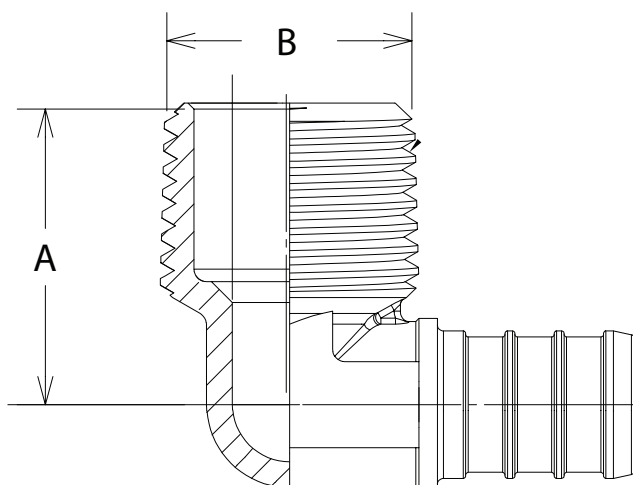


## PART NO. C76013LF

### 1/2" F1807 X MIP BRASS PEX 90° ELBOW



- Simple and dependable plumbing connection
- Easy installation
- Leak-proof connections
- Lead-free brass
- Can be used with copper PEX crimp rings or stainless steel PEX clamps
- Certified to IAPMO IGC 319-2016 and CSA B137.5-2020
- Certified to NSF/ANSI 372-2016, NSF/ANSI 61-2017, and NSF/ANSI 14-2016a
- Certified to ASTM F1807-2019b and CSA B137.5-2017
- Certified to NSF/ANSI/CAN 61-2019
- cUPC listed



Part No.	Description	A - in (mm)	B - in	Weight-lbs (grams)
C76013LF	1/2" F1807 x MIP	0.96 (24.50)	1/2"-14 NPT	0.08 (36.29)

F1807 Specified Dimensions	ID - in (mm)	OD - in (mm)
1/2" End Connection	.37(9.30)	.47(11.98)
3/4" End Connection	.55(13.85)	.67(16.96)
1" End Connection	.72(18.22)	.86(21.74)