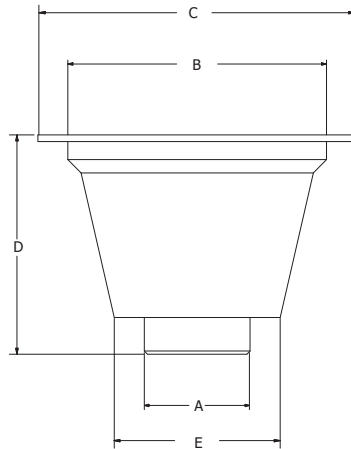


PVC HUB FIT FLOOR SINK

- Corrosion resistant material
- Includes sink, top grate, and bottom strainer
- Not for use with petroleum-based putties
- For light traffic area applications
- Designed to vacate all water from the sump
- IAPMO listed
- Tested and certified to ASME A112.6.7-2010



Part No.	Size	Top Grate	Bottom Grate	A	B	C	D	E
S49042	2"	Half	Dome	2.37"	9.12"	12"	8"	6.30"
S49043	3"	Half	Dome	3.50"	9.12"	12"	8"	6.30"
S49044	4"	Half	Dome	4.50"	9.12"	12"	8"	6.30"
S49052	2"	Three-Quarter	Dome	2.37"	9.12"	12"	8"	6.30"
S49053	3"	Three-Quarter	Dome	3.50"	9.12"	12"	8"	6.30"
S49054	4"	Three-Quarter	Dome	4.50"	9.12"	12"	8"	6.30"
S49062	2"	Full	Dome	2.37"	9.12"	12"	8"	6.30"
S49063	3"	Full	Dome	3.50"	9.12"	12"	8"	6.30"
S49064	4"	Full	Dome	4.50"	9.12"	12"	8"	6.30"
S49072	2"	Half	Flat	2.37"	9.12"	12"	8"	6.30"
S49073	3"	Half	Flat	3.50"	9.12"	12"	8"	6.30"
S49074	4"	Half	Flat	4.50"	9.12"	12"	8"	6.30"
S49082	2"	Three-Quarter	Flat	2.37"	9.12"	12"	8"	6.30"
S49083	3"	Three-Quarter	Flat	3.50"	9.12"	12"	8"	6.30"
S49084	4"	Three-Quarter	Flat	4.50"	9.12"	12"	8"	6.30"
S49092	2"	Full	Flat	2.37"	9.12"	12"	8"	6.30"
S49093	3"	Full	Flat	3.50"	9.12"	12"	8"	6.30"
S49094	4"	Full	Flat	4.50"	9.12"	12"	8"	6.30"