

Seat shall be Comfort™ Seats

Model Number C013WD

Consumer Package Model # C3B4R2

Deluxe Molded Wood - Traditional Design Toilet Seat

Round Closed Front with Cover

Category

RESIDENTIAL

Features

- Durable Molded Wood
- Multi-coat high gloss enamel paint
- UV paint color protection
- Adjustable top mount hinge
- Color matching hinge and bumpers
- Four bumpers on ring for stability
- Non-skid rubberized pads
- Corrosion resistant stainless steel screws
- Corrosion proof POM nuts and bolts

Seat Color/Finish

Specify white, bone, biscuit or select colors

Hinge Color/Finish

Specify white, bone, biscuit or select colors

Product Specifications

Hinge Design: Heavy duty plastic hinge with stainless steel screws

Ring Thickness: 3/4"

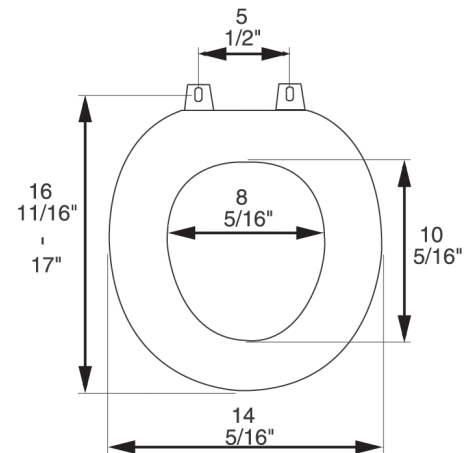
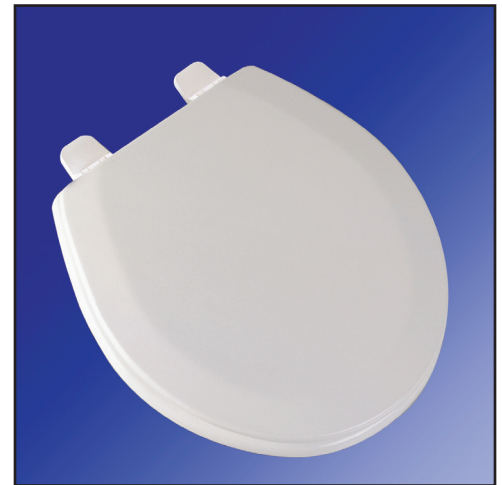
Ring Thickness with Bumper: 1 1/8"

Height of Seat with Cover: 2 1/4"

Size: ANSI Standard Toilet

Additional Information

Comfort™ Seats molded wood utilizes the finest paint to seal and beautify the molded wood core with deep lustrous color and rock hard enamel durability.



Corrosion proof, self-aligning hardware



Factory-installed "living" hinge covers w/stainless steel screws