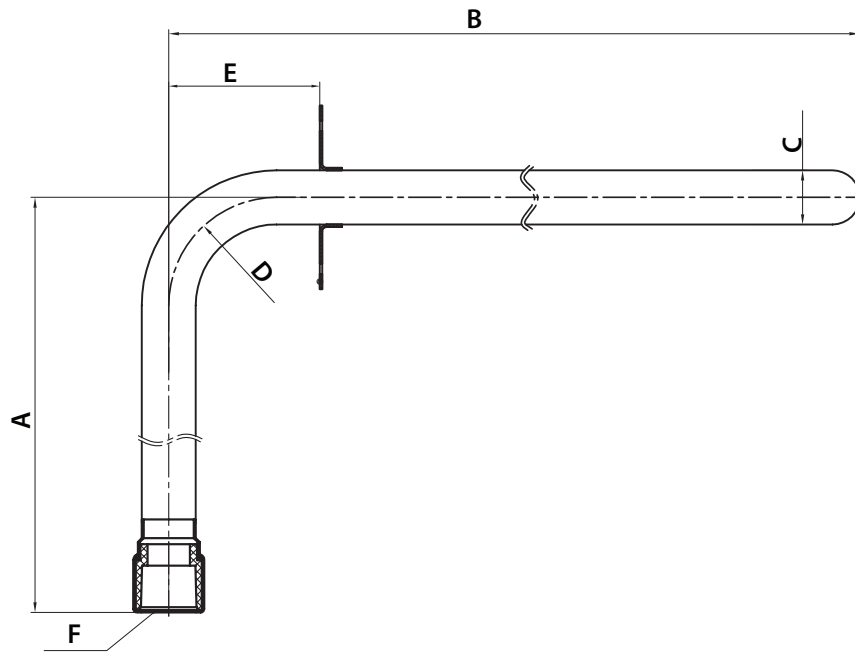


COPPER STUB OUT ELBOWS WITH MOUNTING FLANGE CPVC CONNECTION (SOLVENT WELD)



- Connects to CPVC tubing (Solvent Weld)
- Closed end for pressure testing
- Flange for nailing to a stud
- cUPC approved for use in USA and Canada
- ANSI/NSF 61 & ANSI/NSF 372 approved for drinking water
- Meets ASTM D2846, CSA B137.6
- ASTM B88 type L copper tube
- Complies with Section 1417(d) of the Safe Drinking Water Act, the lead content requirements of Section 116875 of the California Health & Safety Code, and NSF/ANSI 372-2016



Part No.	A	B	C	D	E	F
S73005	3.50"	8.00"	0.50" NOM CTS	1.25"	1.75"	0.50" FEMALE CPVC
S73006	11.00"	10.00"	1.00" NOM CTS	2.00"	2.25"	1.00" FEMALE CPVC