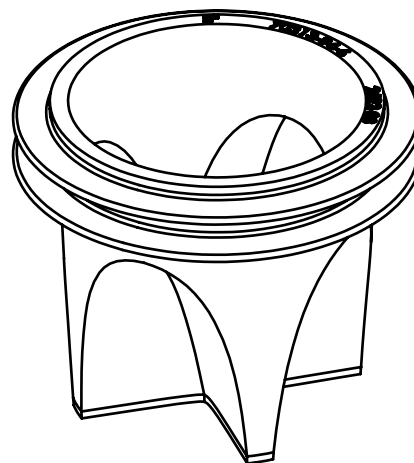
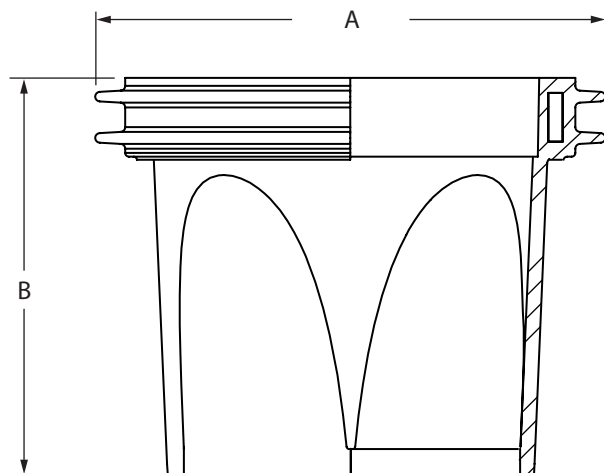




FLOOR DRAIN TRAP SEAL

- Minimizes evaporation within the trap
- Prevents sewer gases from escaping into the room and helps to mitigate backflow
- Seal opens to allow the flow of drainage and closes when there is no flow
- Great solution for infrequently used floor drains
- Can be used in new construction or retrofit applications
- Quick and simple installation - no special tools needed
- Durable EPDM construction
- Meets ASSE1072-2007
- UPC approved



Part No.	Size	Flow Rate	Weight	A (Dia.)	B (Height)
P26001	2" TRAP SEAL	12 GPM	1.30 oz	2.22"	2.66"
P26002	3" TRAP SEAL	34 GPM	2.90 oz	3.22"	2.66"
P26003	3.5" TRAP SEAL	51 GPM	3.40 oz	3.79"	2.66"
P26004	4" TRAP SEAL	73 GPM	3.70 oz	4.22"	2.66"