

Seat shall be Comfort™ Seats

Model Number C1050S

EZ Close™ Specialty Plastic Toilet Seat

Elongated Square Closed Front with Cover

Category

RESIDENTIAL

Features

- EZ Close™ damper system
- Eljer® New Emblem™ Design
- Injection molded durable polypropylene plastic with UV protection
- Molded in bumpers
- Matching adjustable hinge
- Corrosion proof POM nuts, bolts and washers
- Rubberized non-skid pads
- Top mount design

Seat Color/Finish

Specify white, bone, or biscuit

Hinge Color/Finish

Specify white, bone, or biscuit

Product Specifications

Hinge Design: Heavy duty EZ Close™ damper system

Ring Thickness: 3/4"

Ring Thickness with Bumper: 7/8"

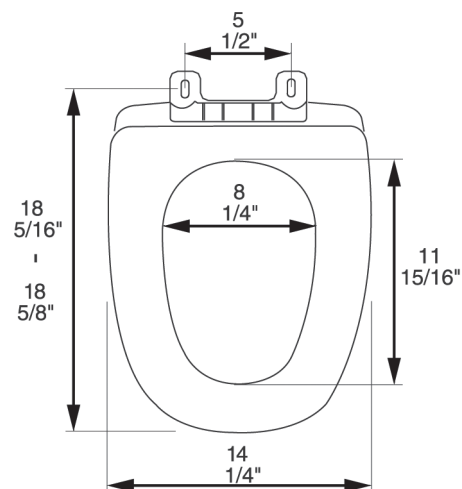
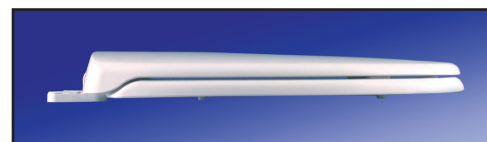
Height of Seat with Cover: 2 1/8"

Size: ANSI Standard Toilet - Meets Z124.5 Section 5.1.2

Additional Information

Stainless Steel (Model #C200-HPSS) or Metal (Model #C200-HPM) installation hardware for commercial/hospitality installations.

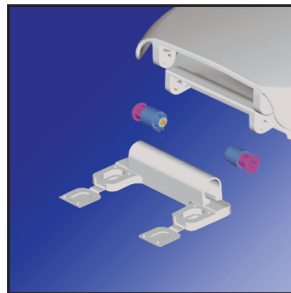
All seats feature UV protection.



Corrosion proof, self-aligning hardware



Factory-installed "living" hinge covers w/stainless steel screws



Heavy duty EZ Close™ damper system

