

JONATHAN Y

Item Number: JYL6304

WARNING (To reduce the risk of fire, electric shock, or injury to persons):

1. We suggest installation by a **licensed electrician**.
2. Please read the instruction carefully and save it as you may need it at later time.
3. Before you start, **NEVER** attempt any work without shutting off the electricity until the work is done. A). Go to the main fuse, or circuit breaker, box in your home. Place the main power switch in the "OFF" position. B). Place the wall switch in the "**OFF**" position.
4. Mounting surface should be clean, dry, flat, strong enough and 1/4" larger than the canopy on all side. Any gaps between the mounting surface and canopy exceeding 3/16" should be corrected as required.
5. Make sure that the ceiling or wall can stand the weight of the lamp before fixture.
6. Make sure the voltage you are using is **120V**. The maximum wattage is **40W** per bulb. Please use Type "B" Bulb max 40-watt or CFL Bulb max 13-watt or LED Bulb max 9-watt there is LED 3pcs 4-watt Bulb in the Box.
7. Keep the lamp away from acidic and basic objects in case of damaging the surface of the lamp.
8. When replacing bulb, you should turn off or unplug the lamp and you must wait until it is cool as bulbs get hot quickly.
9. The safety instructions appearing in this manual are not meant to cover all possible conditions that may occur. It must be understood that common sense, caution and care must be used with any electrical products.






If there are any questions relating to defects, missing parts, assembly issues, replacements, or device connectivity issues, please send a detailed email to cs@jonathany.com

IMAGE FOR FINISHED PRODUCT:



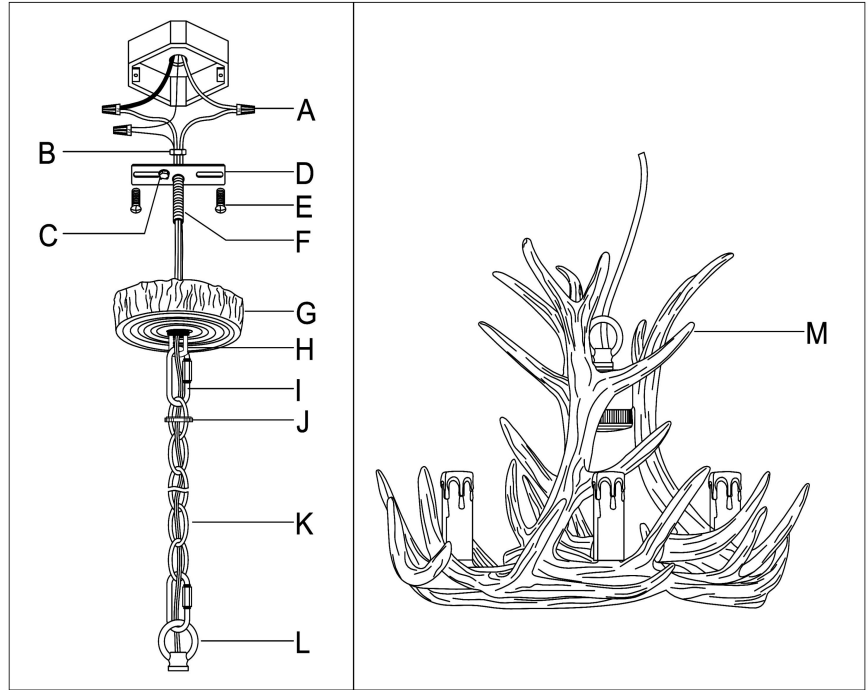
TOOLS REQUIRED (NOT INCLUDED):

Before doing assembly and installation please prepare the needed tools as below picture

				
Ladder	Phillips head, flat blade screwdriver	Electrical tape	Pliers	Wire cutter/Stripper

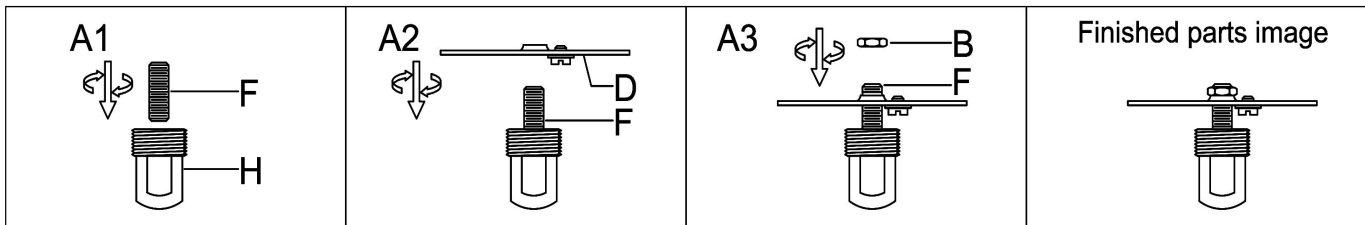
PARTS TYPE & QTY INCLUDING:

- (A) Plastic wire connector (3)
- (B) Hex nut (2)
- (C) Green ground screw (1)
- (D) Mounting plate (1)
- (E) Mounting screw (2)
- (F) Threaded nipple (1)
- (G) Canopy (1)
- (H) Screw collar loop (1)
- (I) Quick link (2)
- (J) Threaded ring (1)
- (K) Chain (1)
- (L) Loop (1)
- (M) Antler chandelier main body (1)
- (N) Bulb (3)



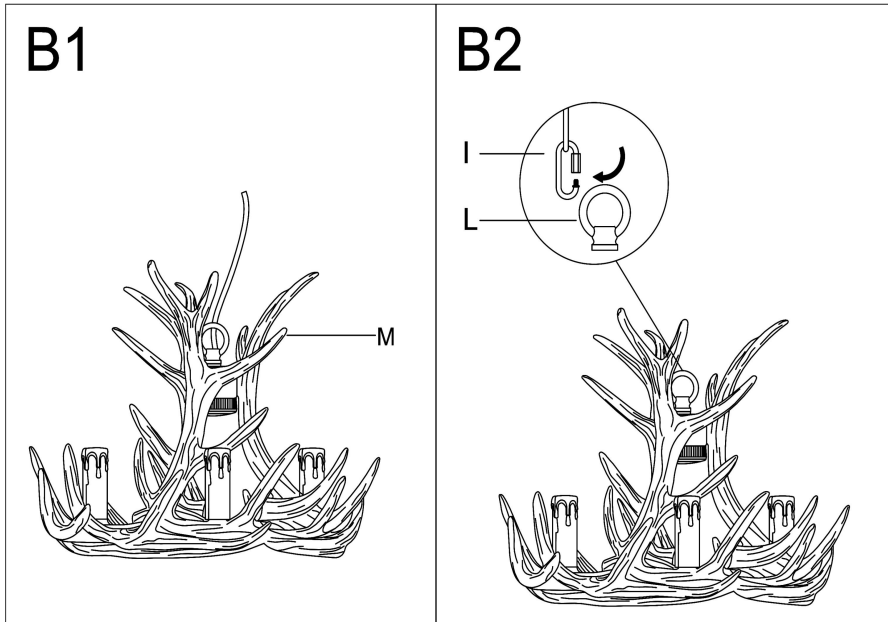
ASSEMBLY & INSTALLATION INSTRUCTIONS:

1. Carefully remove the fixture from the carton and check that all parts and accessories are included as shown in the above illustration
2. Make assembly
If the group of parts are not already assembled:

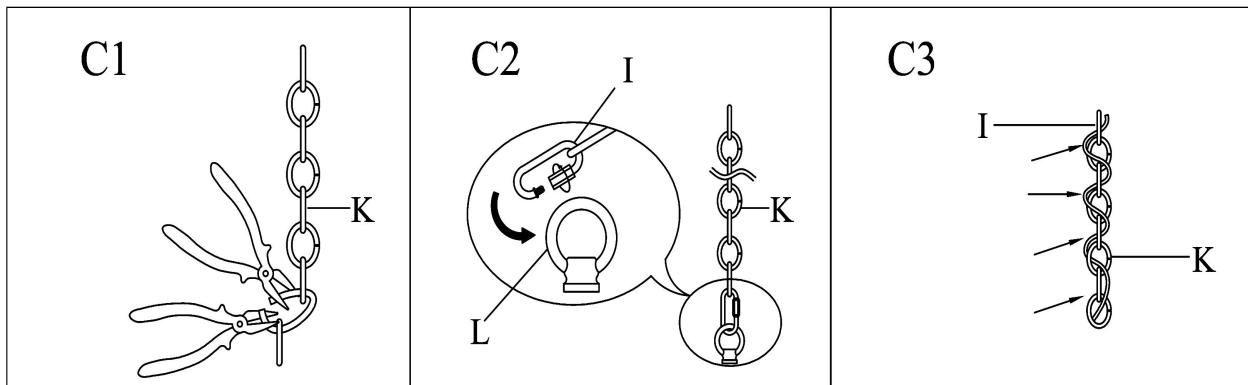


- Step A1: Fix the threaded nipple (F) into the screw collar loop (H)
- Step A2: Thread the mounting plate (D) over the other end of threaded nipple (F),
- Step A3: Place and tighten the hex nut (B) to secure the mounting plate (D) in place. At this point, the side of mounting plate marked "GND" must face to the screw collar loop (H).

2. Make pre - installation



Step B1: Open the quick links (I) to connect the loops (L) on the antler chandelier main body(M), and to connect the loop(L) Close the quick links(I)



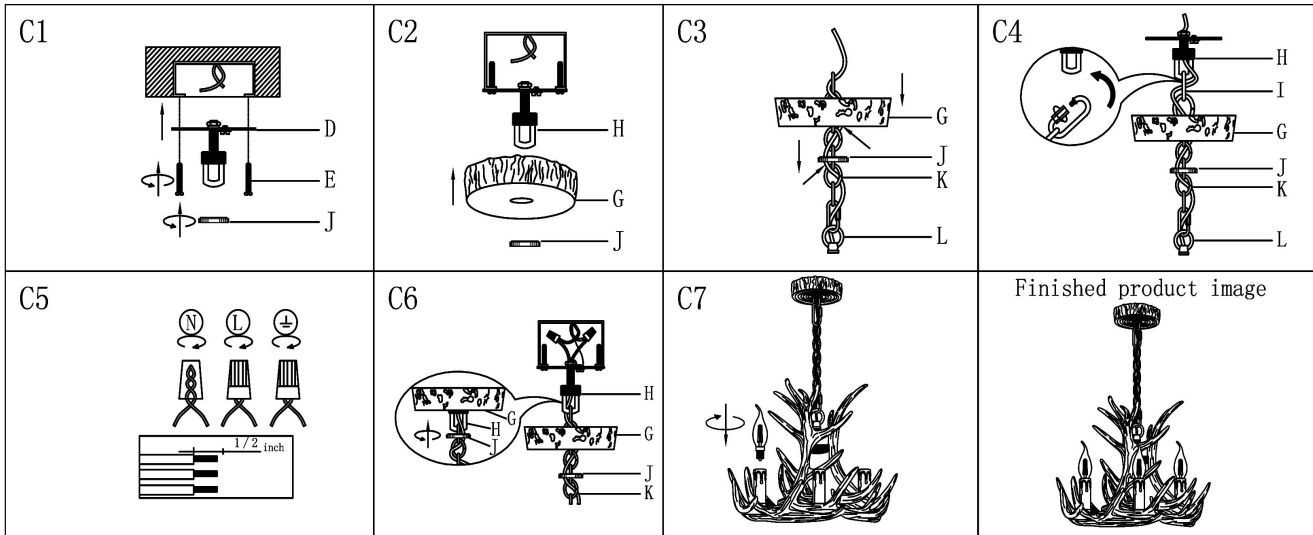
Step C1: By measuring,determine the correct length of links needed. Use the chain pliers, open and discard the remaining chain.

Step C2: Attach a quick link(I) to the loop(L) above the antler chandelier main body(M) and to connect the end of chain(K).

Step C3: Gently lace wires through chain(K) to the top of the another quick link(I) and pull tillsung

3. Turn off power

4. Make installation



Step C1: Attach Mounting plate(D) to outlet box with mounting screws(E). The side of single bar marked "GND" must face out

Step C2: Raise the canopy(G) through screw collar loop(H) and screw the collar loop(J) to a proper position by measuring. Unscrew threaded ring(J) from screw collar loop(J) and remove the canopy(G). In this way, you would know the proper position on which collar loop it should be located.

Step C3: Slip threaded ring(J) over the chain(K), then do the same with the canopy(G)

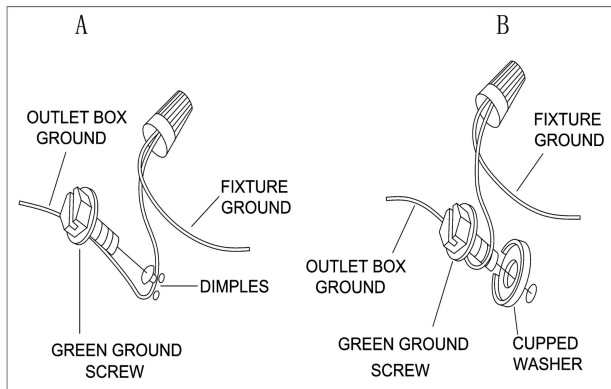
Step C4: Open the quick link(I) then attach to the collar loop(H). Close the quick link(I)

Pass the wires through collar loop(H) to the mounting plate, gently pull the till sung

Step C5: Make wire connections

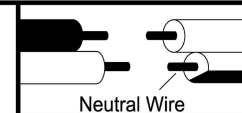
Connect wires as below wires connecting shown. **TAKE NOTE OF YOUR COLOR OF FIXTURE, NEVER CONNECT WIRES TO GROUND WIRES**

Connect ground wire according to below chart



Connect Black or Red Supply Wire to:	Connect White Supply Wire to:
Black	White
*Parallel cord (round & smooth)	*Parallel cord (square & ridged)
Clear, Brown, Gold or Black without tracer	Clear, Brown, Gold or Black with tracer
Insulated wire (other than green) with copper conductor	Insulated wire (other than green) with silver conductor

*Note: When parallel wires (SPT I & SPT II) are used. The neutral wire is square shaped or ridged and the other wire will be round in shape or smooth (see illus.)



Twist plastic wire connector(A) until wires are tightly joined together, wrap each connector with approved electrical tape for more secure connection and carefully stuff all wires into the outlet box

Step C6: Raise canopy(G) to ceiling and secure canopy(G) in place by tightening threaded ring(J) onto screw collar loop(H)

Step C7: Install bulb (N) (Please do not exceed the maximum capacity recommended on the socket.)

5. Check everything is already installed properly, then you could turn on the light.

CLEANING

To clean, wipe fixture with a soft cloth, Do not use abrasive materials such as scouring pads or powders, steel wool or abrasive paper.

ORDERING PARTS

Keep this sheet for future reference, and in case you need to order replacement parts.

All parts for this fixture can be ordered from place of purchase. Be sure to use exact wording from illustration when ordering parts.