



WARNING

WE RECOMMEND INSTALLATION OF THIS LIGHTING FIXTURE BE DONE BY A LICENSED ELECTRICIAN.
 WARNING *** SWITCH OFF THE MAIN ELECTRICAL SUPPLY FROM THE MAIN FUSE BOX/CIRCUIT BREAKER BEFORE INSTALLATION.
 INSPECT ITEM CAREFULLY BEFORE ATTEMPTING TO INSTALL. IF THERE IS ANY DAMAGE OR OBVIOUS DEFECT, DO NOT INSTALL. ITEM MAY NOT BE RETURNED ONCE IT HAS BEEN INSTALLED.

CARE AND MAINTENANCE

To clean the outside of the fixture, use a dry or slightly dampened clean cloth (use clean water, never a solvent) to wipe the surface of the fixture.
 To clean the inside of the fixture, first disconnect power to the fixture by turning off the circuit breaker or by removing the fuse at the fuse box. Next, use a dry or slightly dampened clean cloth (use clean water, never a solvent) to wipe the interior surface of the fixture.
 Do not use any cleaners with chemical, solvents or harsh abrasives. Use only a dry soft cloth to dust or wipe carefully.

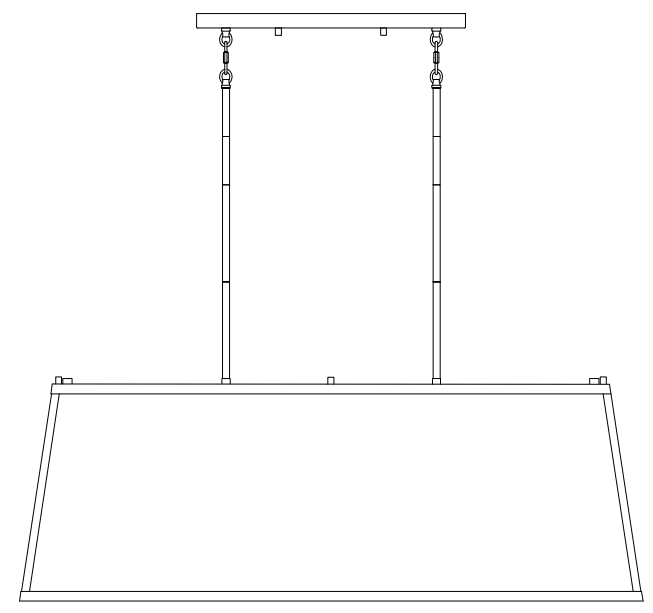
Model#: JYL1316A
Product Dimensions: 42"Lx12"Wx23-53"H

NOTICE& IMPORTANT SAFETY INSTRUCTIONS

- * Please make sure that you have all parts indicated before you begin assembly of this item.
- * This item should be assembled on a soft surface to prevent scratching the finish during assembly.
- * To reduce the risk of fire, electrical shock or injury to persons or property, please follow the guideline below for safe use and installation.
- * The external flexible cable or cord of this lamp cannot be replaced If the cord is damaged, the lamp shall be destroyed.

Part List and Hardware List

A	Wire Nuts	X3		I	Quick Link	X2		Q	Small Fabric	X2	
B	Mounting Plate	X1		J	6"Tube	X2		R	Nex Nut	X6	
C	Mounting Screws	X2		K	6"Tube	X2		S	Large Fabric	X2	
D	Outlet Box Screws	X2		L	12"Tube	X4		T	Diffuser	X1	
E	Nex Nut	X2		M	Finial	X4		U	Base Plate	X1	
F	Green Ground Screw	X1		N	Fixture Body	X1					
G	Canopy	X1		O	Bulb	X4					
H	Lock Knobs	X2		P	Metal Board	X4					

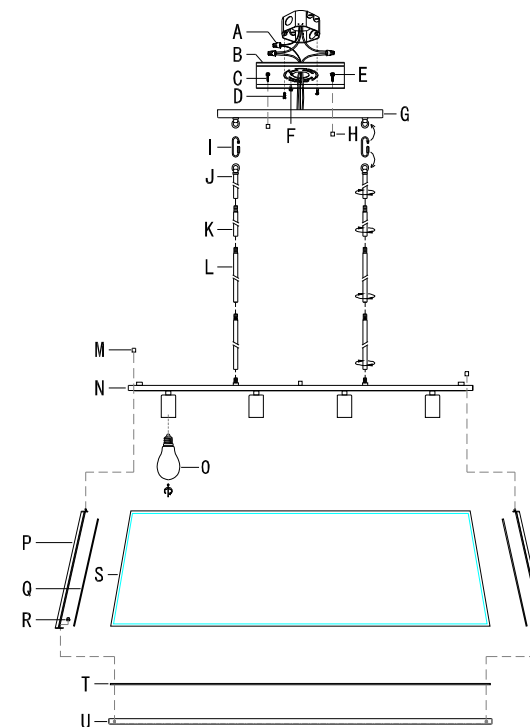


PREPARATION

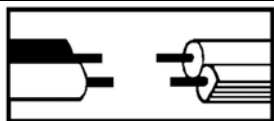
Before beginning assembly of product, make sure all parts are present. Compare parts with package contents list and hardware contents list. If any part is missing or damaged, do not attempt to assemble the product.

Estimated Assembly Time: 20 minutes.

- Place the diffuser (T) flat into the base plate (U) slot and then lock the 4PCS metal board (P) on the base plate (U) with next nuts (R).
- Place the fixture body (N) on the metal board (P) assembly and lock it with 4PCS finials (M).
- Twist the bulb (O) onto socket.
- Connect the Velcro on the 4pcs small fabric (Q) (S) large fabric to the inside of the lamp frame assembly.
- Lock the 12" tube (L) and 6" tube (K) (J) in sequence to the fixture body (N).
- Lock the canopy (G) onto the 6" tube (J) with the quick link (I) through the lifting ring.
- The mounting plate (B) is locked to the junction Box of the ceiling using Outlet Box screw (D).
- Connect the positive and negative poles of the lamp power cord with the positive and negative poles of the home power cord respectively with the wire nuts (A).



Connect, Hot, Black or Red Outlet Supply Wire to:	Connect, Neutral, White Outlet Supply Wire to:
Black	White
* Parallel Cord (round & smooth)	* Parallel Cord (square & ridged)
Clear, Brown, Gold or Black without Tracer (colored stripes)	Clear, Brown, Gold or Black with Tracer (colored stripes)
Insulated Wire (not green) with copper metal conductor	Insulated Wire (not green) with Silver metal conductor.



*Note: When parallel wire (SPT I & SPT II) is used. The neutral wire is square shaped and ridged and the hot wire will be round in shape and smooth. (See Illustration on left.)

Grounding Instructions:

- For installation in the United States: Wrap ground wire from outlet box around green ground screw (E) on mounting bracket, no less than 2" from wire end. Tighten ground screw. If fixture is supplied with a ground wire, connect to outlet ground wire with a wire connector.
- For installation in Canada: If fixture is supplied with ground wire, wrap ground wire around green grounding screw on mounting bracket. Tighten ground screw.

- Use the lock knobs (H) to lock the canopy (G) on the mounting screw (C) until locked.

PLEASE USE TYPE "A" BULB MAX 40-WATT OR LED BULB MAX 9-WATT, THERE ARE 4PCS LED 9-WATT BULB IN THE BOX.

ENJOY YOUR LAMP

