

JONATHAN Y

USER GUIDE - LED LIGHTED MIRROR

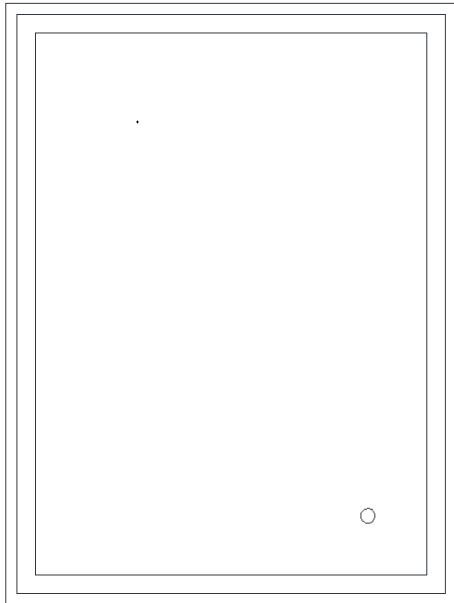


IF IN DOUBT ABOUT FITTING THIS PRODUCT, PLEASE CONSULT A QUALIFIED ELECTRICIAN

IMPORTANT

PLEASE READ THE INSTRUCTIONS BEFORE SET UP AND INSTALLATION

COMPONENT PARTS AND FITTINGS



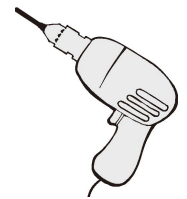
Mirror



Screw & Wall plug x 4
(Included in pack)



Screw driver



Drill

Wire nut x 3
(Included in pack)

Safety Warning

Safety:

- We suggest you spend a short time reading the instruction leaflet
- Carefully check that you have all the parts before beginning assembly.
- Keep small parts and fittings out of children's reach and keep children well away from construction area, as the unassembled product contains small parts, which could present a choking hazard.
- We suggest you retain these instructions for future reference.
- This appliance can be used by adults ONLY.
- If the supply cord is damaged, it must be replaced by the manufacturer, its service agent or similarly qualified persons in order to avoid a hazard.

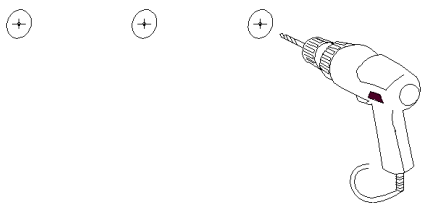
Caution:

- In order to avoid overheating, do not cover the mirror.
- Switch off the mains supply and remove the appropriate fuse or switch off the appropriate circuit breaker before commencing installation
- Make sure that there is no danger that the cord or extension cord is inadvertently pulled or cause anyone to trip when in use.

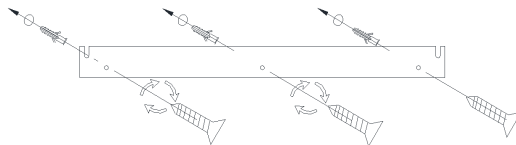
Assembly/User Instruction

Please read all instructions carefully. Before you proceed to install, make sure that the power supply is turned off and remains off until installation is complete.

Please note that each part has been assigned a number and proceed in a numerical order.

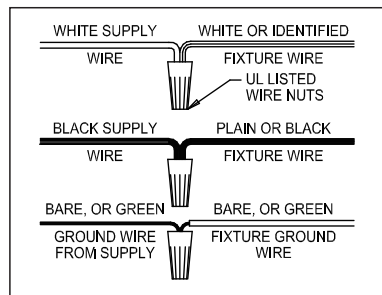
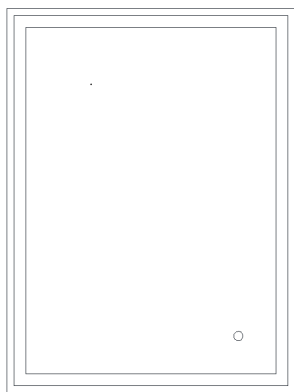


STEP1. Mark the position of the hanging screw.

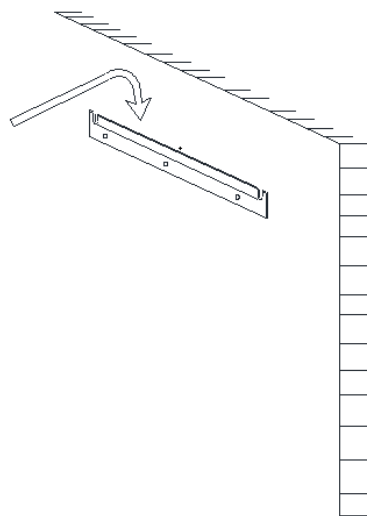
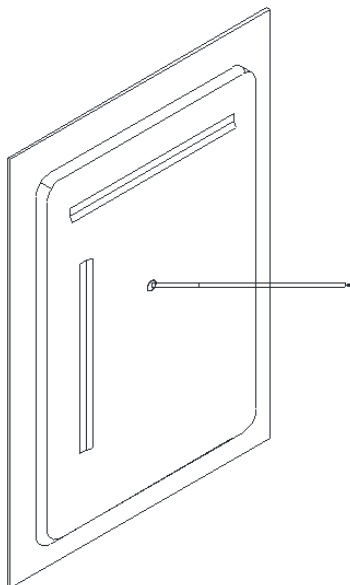


STEP2. Fix the screw.

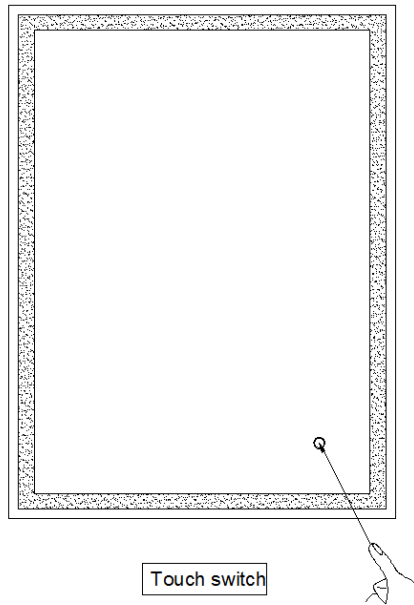
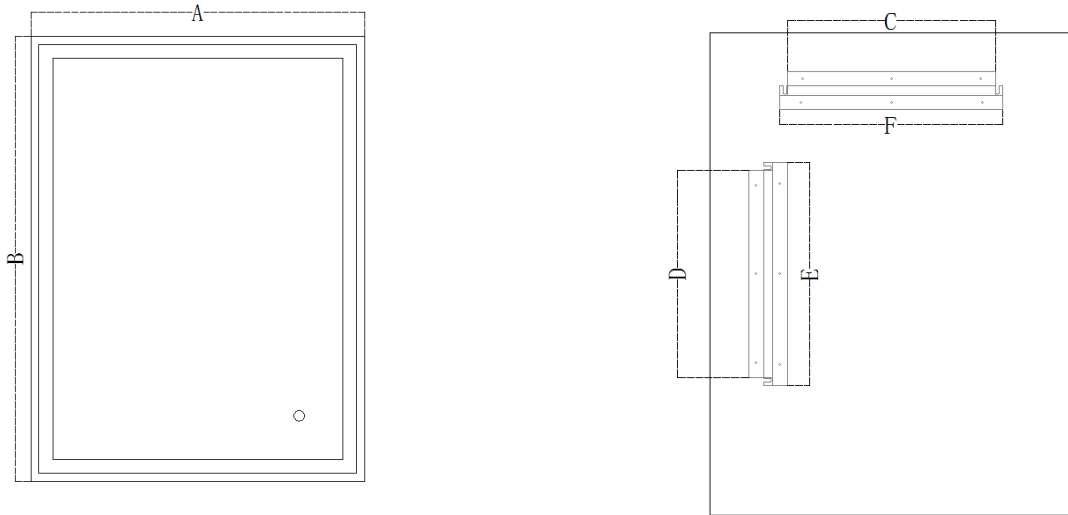
STEP3. Connect to the main supply



STEP4. Hang up the Mirror on the wall



Installation Dimensions:



Can adjust three kinds of color temperature.
 Press once to change color temp. and on-off.
 Press and hold switch for dimming the lumens.

MODEL	A(inch)	B(inch)	C(inch)	D(inch)	E(inch)	F(inch)	Color Temperature	LED Length(inch)	Drive Wattage
MIR100A-2432	24	32	13.7	13.7	14.7	14.7	4200K/6400K/3000K	88.6	72w
MIR100A-2836	28	36	17.7	26	18.7	26.6	4200K/6400K/3000K	103.5	72w
MIR100A-3240	32	40	17.7	26	17.7	26.6	4200K/6400K/3000K	120.5	72w
MIR100A-3648	36	48	26	26	26.6	26.6	4200K/6400K/3000K	145.3	72w
MIR102A-2434	24	34	17.7	17.7	18.7	18.7	4200K/6400K/3000K	83.9	72w
MIR102A-3036	30	36	17.7	17.7	18.7	18.7	4200K/6400K/3000K	98.4	72w
MIR103A-2248	22	48	13.7	26	14.7	26.6	4200K/6400K/3000K	120.5	72w
MIR103A-2638	26	38	17.7	18.7	26	26.6	4200K/6400K/3000K	108.3	72w