

UFO High Bay

JONATHAN Y

INSTRUCTION MANUAL

ITEM#: JYL9801A

- Thank you for purchasing our UFO Highbay. Please read the below articles carefully to see how to use this product safely.
- Warning contents and attention contents related to product safety use, please be sure to follow it.

Warning

- This UFO High bay within the input voltage range: AC100-277V & AC277-480V, 50/60Hz.
- If input voltage exceeds this range, it may cause tube failure. Please be sure to operate under correct input voltage.
- Ensure ambient operating temperature of -40°F(40°C) through 113°F(45°C).
- Using this UFO High bay in temperatures outside of this range will reduce the UFO High bay lifespan.
- Make sure to turn off power before starting the installation process.

Attention

- IP rating: IP65, can work under wet locations.
- Please keep the UFO High bay away from any corrosive substance. When you clean it, please use damp or dry cloth.

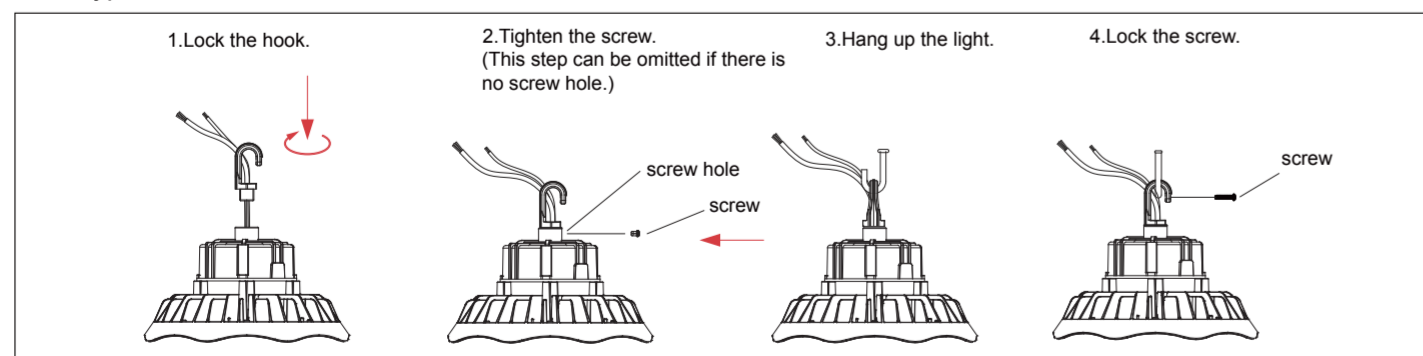
Model	UHB0710-100W-XXX-X-XXX UHB07B10-100W-XXX-X-XXX UHB07B10-100W-XXX-X-XXX(MS) UHB0710-100W-XXX-X-XXX-Z	UHB0715-150W-XXX-X-XXX UHB07B15-150W-XXX-X-XXX UHB07B15-150W-XXX-X-XXX(MS) UHB0715-150W-XXX-X-XXX-Z	UHB0720-200W-XXX-X-XXX UHB07B20-200W-XXX-X-XXX UHB07B20-200W-XXX-X-XXX(MS) UHB0720-200W-XXX-X-XXX-Z	UHB0724-240W-XXX-X-XXX UHB07B24-240W-XXX-X-XXX UHB07B24-240W-XXX-X-XXX(MS) UHB0724-240W-XXX-X-XXX-Z
Power	100W	150W	200W	240W
Input Current	1.1A	1.65A	2.2A	2.64A
Input Voltage	AC100-277V			
Frequency	50/60Hz			

Model	UHB0710-100W-XXX-X-HV-XXX(XX)	UHB0715-150W-XXX-X-HV-XXX(XX)	UHB0720-200W-XXX-X-HV-XXX(XX)	UHB0724-240W-XXX-X-HV-XXX(XX)
Power	100W	150W	200W	240W
Input Current	0.4A	0.6A	0.8A	0.95A
Input Voltage	AC277-480V			
Frequency	50/60Hz			

"XXX" can be any letter or number to represent the Light-emitting angle;
 "X" can be H, L or HY(Y=number) to represent the lighting effect (no effect to power);
 "XXX" can be 40K,50K,57K to indicate color temperature;
 "(XX)" can be "(MS)" for with Motion Sensor or blank for without Motion Sensor.

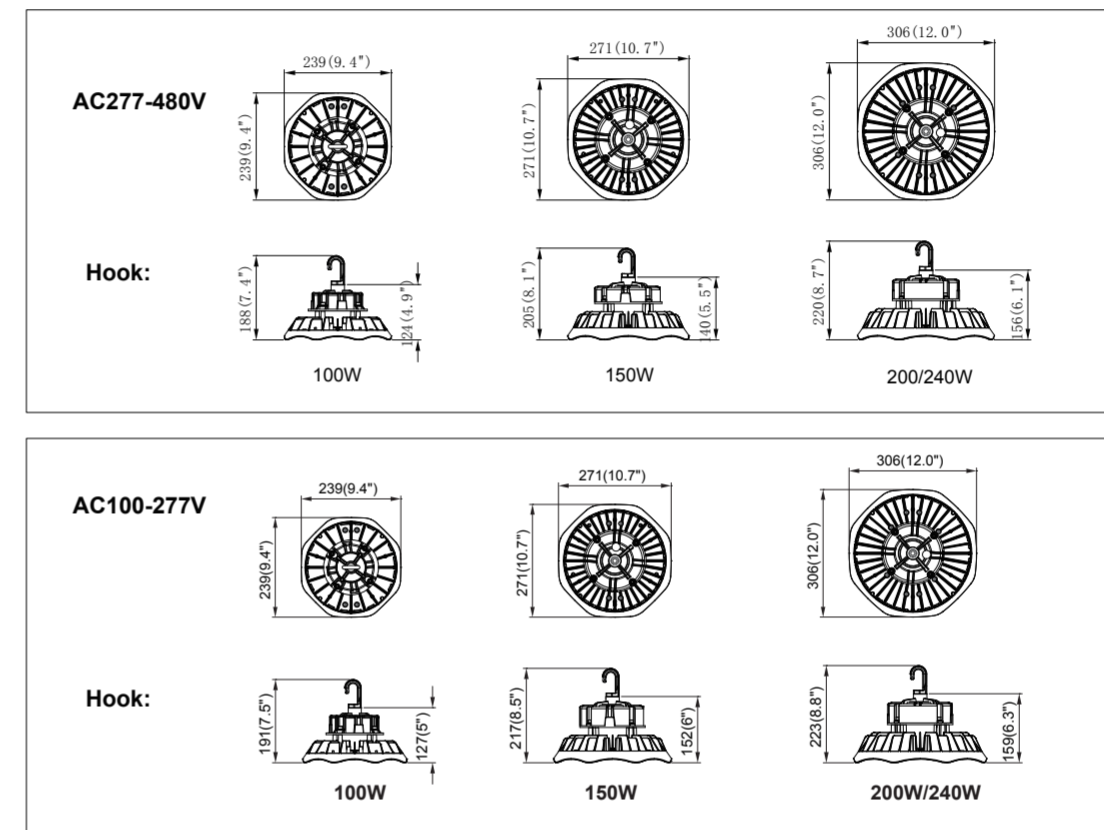
Installation Instruction

Hook type:



Product Dimension

JONATHAN Y

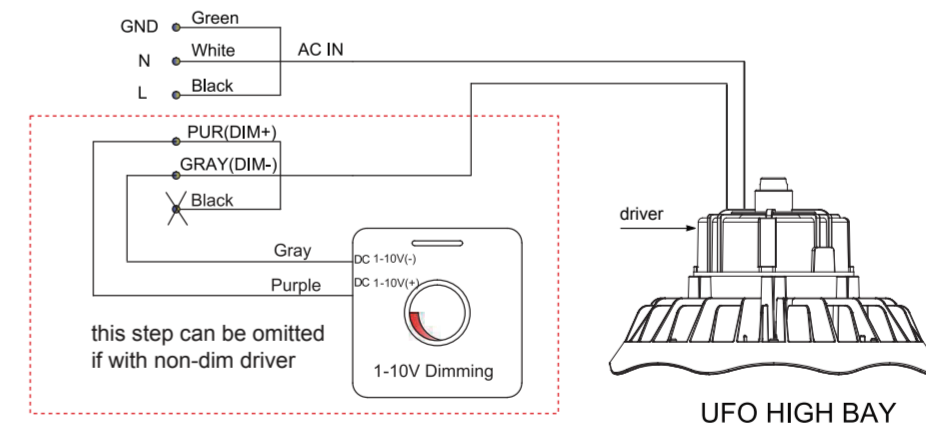


Wiring Connection

Turn off the power, connect AC wire. black wire to L, white wire to N, and green wire to E.

Dimmer connection (With dimmable driver.)

1. Compatible with 1-10V dimming.
2. Connect wires as below, purple wire is D +, gray wire is D -, cap black wire.



The Installation must be carried out by a qualified electrician.