

## WARNING

INSPECT ITEM CAREFULLY BEFORE ATTEMPTING TO INSTALL. IF THERE IS ANY DAMAGE OR OBVIOUS DEFECT, DO NOT INSTALL. ITEM MAY NOT BE RETURNED ONCE IT HAS BEEN INSTALLED.

## CARE AND MAINTENANCE










Unplug lamps before using any cleaning solutions. Dust shades with a feather duster or with an appropriate vacuum-brush attachment. Wipe with a soft, dry cloth and clean lamp bases with the methods appropriate to the material. Avoid the use of chemicals and household cleaners as they may damage the finish.

## NOTICE & IMPORTANT SAFETY INSTRUCTIONS

- \* Please make sure that you have all parts indicated before you begin assembly of this item
- \* This item should be assembled on a soft surface to prevent scratching the finish during assembly
- \* To reduce the risk of fire, electrical shock or injury to persons or property, please follow the guideline below for safe use and installation
- \* The external flexible cable or cord of this lamp cannot be replaced; If the cord is damaged, the lamp shall be destroyed

\*\*This portable lamp has a polarized plug (one blade is wider than the other) as a safety feature to reduce the risk of electric shock. this plug will fit in a polarized outlet only one way. if the plug does not fit fully in the outlet, reverse the plug, if it still does not fit, contact a qualified electrician. Never use with an extension cord unless the plug can be fully inserted. do not attempt to disregard this safety feature.

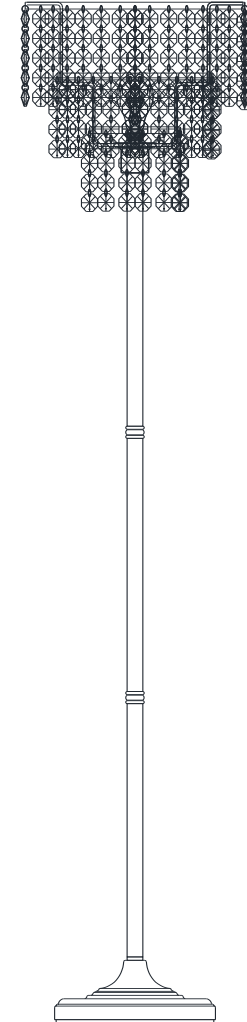
## Part List and Hardware List

PIECE	DESCRIPTION	PICTURE	QUANTITY	PIECE	DESCRIPTION	PICTURE	QUANTITY
A	Socket Ring		1X	F	Base		1X
B	Shade Frame		1X	G	Long Beaded String		34X+1X
C	Socket		1X	H	Short Beaded String		38X
D	Tube w/ teeth		2X	I	Bulb		1X
E	Tube w/t teeth		1X				

# JONATHAN Y

Model# JYL9001A

Product Dimensions: Ø14"W X 60"H



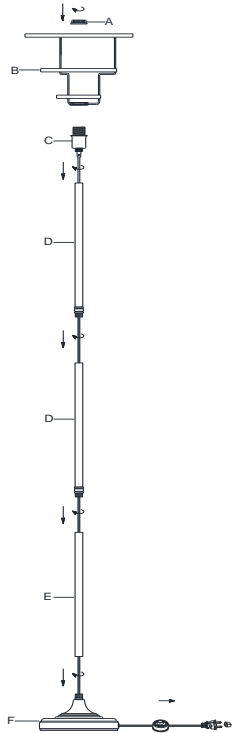
## PREPARATION

Before beginning assembly of product, make sure all parts are present. Compare parts with package contents list and hardware contents list. If any part is missing or damaged, do not attempt to assemble the product.

Estimated Assembly Time: 15 minutes.

**PLEASE USE TYPE "A" MAX 100-WATT OR EDISON BULB MAX 100-WATT OR CFL MAX 23-WATT OR LED MAX 12-WATT  
THERE IS 1PC 25-WATT EDISON BULB IN THE BOX.**

1

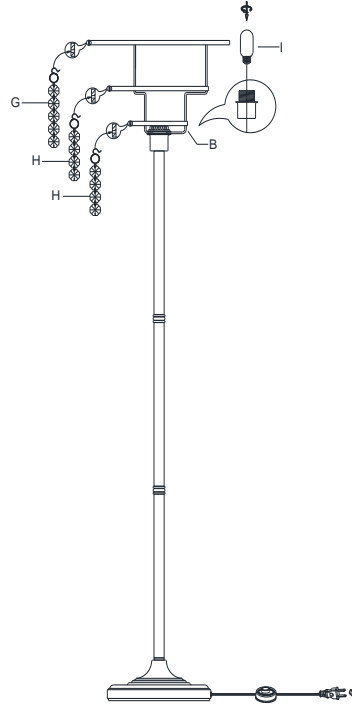


### Step 1

Make sure all parts could be aligned before assemble  
Do not rotate lamp body too hard avoid base screw broken  
Screw the Tube w/t teeth (E) onto the Base (F).  
Screw the Tube w/ teeth (D) onto the Tube w/t teeth (E).  
Screw the Tube w/ teeth (D) onto the Tube w/ teeth (D).  
Screw the Socket(C) onto the Tube w/ teeth (D)  
Place the Shade Frame(B) over the Socket(C) with Socket Ring(A).

Be careful not to twist the power cord and tighten securely

2

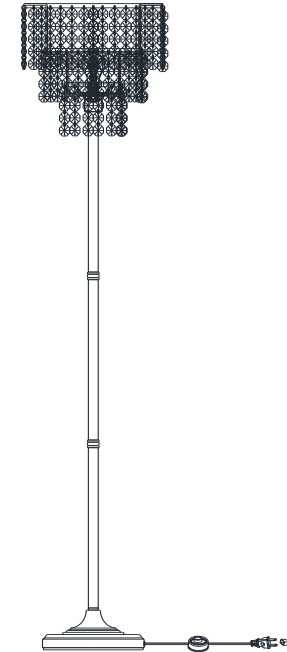


### Step 2

Hang each Long Beaded String(G) and Short Beaded String(H) onto the Shade Frame(B) as diagram.

Insert the bulb(I) into the socket.

3



### Step 3

Put the light on a level surface to check if everything is stable.

**ENJOY YOUR LAMP**