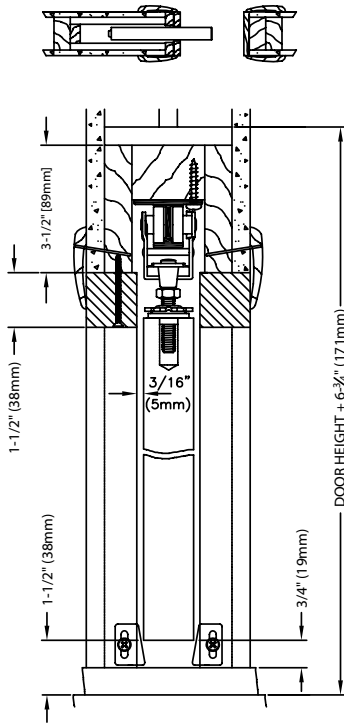


2000 Commercial Grade Pocket Door Frame for 1 1/8" to 1 3/4" Thick Doors to 400 lbs.



ORDERING DATA

For 2 x 4 construction. Aluminum 1" Beam track, smooth quiet operation, rust resistant steel reinforced wood split studs, jump proof 4 wheel ball bearing (1" dia.) hangers, self-adjusting floor anchors, 2'6" and 3'0" headers marked to cut to smaller door sizes. Plated steel parts.



2000

2000 Series Pocket Door Frame Prices

Note: Frames marked with an * will ship **COMMON CARRIER**

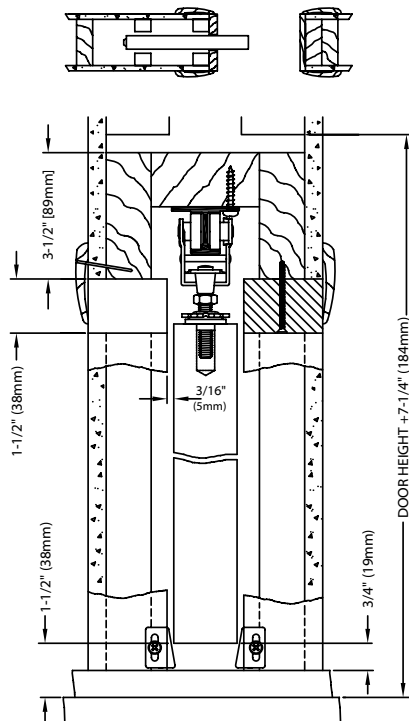
Item No.	Max Door Size	lbs/Case
Frames for 80" Tall Doors		
202668PF	For Doors up to 30" wide x 80" tall	42/1
203068PF	For Doors up to 36" wide x 80" tall	44/1
204068PF	For Doors up to 48" wide x 80" tall	63/1
205068PF	For Doors up to 60" wide x 80" tall	81/1
Frames for 84" Tall Doors		
202670PF	For Doors up to 30" wide x 84" tall	43/1
203070PF	For Doors up to 36" wide x 84" tall	45/1
204070PF	For Doors up to 48" wide x 84" tall	65/1
205070PF	For Doors up to 60" wide x 84" tall	83/1
Frames for 96" Tall Doors		
202680PF	For Doors up to 30" wide x 96" tall	47/1
203080PF	For Doors up to 36" wide x 96" tall	49/1
204080PF	For Doors up to 48" wide x 96" tall	70/1
205080PF	For Doors up to 60" wide x 96" tall	90/1
Frames for 108" Tall Doors		
202690PF	For Doors up to 30" wide x 108" tall	50/1
203090PF	For Doors up to 36" wide x 108" tall	52/1
204090PF	For Doors up to 48" wide x 108" tall	75/1
205090PF	For Doors up to 60" wide x 108" tall	97/1
Accessories		
2050PLBG	Converging Door Kit	10/10
2041PLBG	Hidden Guide Set	1.7/10

2060 Commercial Grade Pocket Door Frame for 1 1/8" to 2 1/4" Thick Doors to 400 lbs. (2" x 6" Stud Wall)



ORDERING DATA

For 2 x 6 Construction. Heavy duty pocket door frame featuring heavy gauge all steel split studs for maximum wall rigidity. New all steel split stud design makes a pocket door wall sheeted with standard wall board material comparable in stiffness to standard non pocket door stud walls and eliminates warpage. The 2060 is designed like the rest of our pocket door frames so it can be used for single or converging pocket door applications. The 2060 is packaged for easy transport and fast installation in standard 2 X 6 timber or steel framed stud walls. Versatile frames can be adapted for use in thicker walls, block walls and cut down to accept any smaller door size.



2060

2060 Series Pocket Door Frame Prices

Note: Frames marked with an * will ship **COMMON CARRIER**

Item No.	Max Door Size	lbs/Case
Frames for 80" Tall Doors		
20602668	For Doors up to 30" wide x 80" tall	52/1
20603068	For Doors up to 36" wide x 80" tall	55/1
20604068	For Doors up to 48" wide x 80" tall	78/1
20605068	For Doors up to 60" wide x 80" tall	99/1
Frames for 84" Tall Doors		
20602670	For Doors up to 30" wide x 84" tall	53/1
20603070	For Doors up to 36" wide x 84" tall	56/1
20604070	For Doors up to 48" wide x 84" tall	80/1
20605070	For Doors up to 60" wide x 84" tall	102/1
Frames for 96" Tall Doors		
20602680	For Doors up to 30" wide x 96" tall	58/1
20603080	For Doors up to 36" wide x 96" tall	61/1
20604080	For Doors up to 48" wide x 96" tall	87/1
20605080	For Doors up to 60" wide x 96" tall	111/1
Frames for 108" Tall Doors		
20602690	For Doors up to 30" wide x 108" tall	62/1
20603090	For Doors up to 36" wide x 108" tall	65/1
20604090	For Doors up to 48" wide x 108" tall	94/1
20605090	For Doors up to 60" wide x 108" tall	120/1
Accessory		
2050PLBG	Converging Door Kit	10/10
2041PLBG	Hidden Guide Set	1.7/10