

# INSTRUCTIONS

For 2 - 1-3/8" (35mm) Doors  
weighing up to  
200 lbs (90 kgs) each.

## 1562 SERIES BYPASS POCKET DOOR FRAME

1562 MADE FOR 2" X 6" STUD WALLS

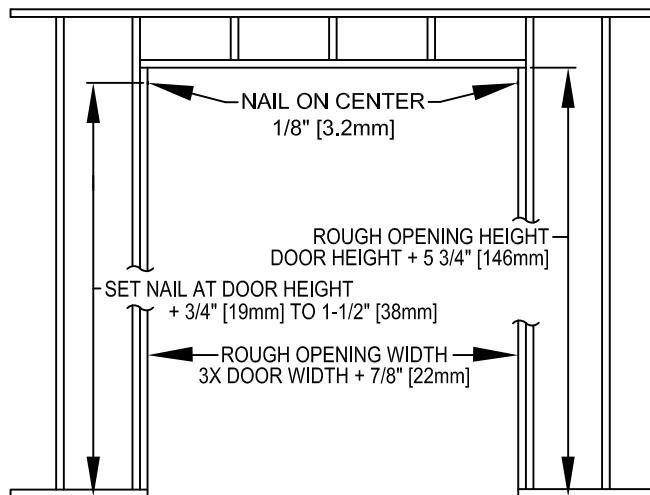
### 1562 SERIES SET NUMBERS AND SIZES

- 15622068 FOR 2-24" (609mm) X 80" (2,03m) Doors
- 15622668 FOR 2-30" (761mm) X 80" (2,03m) Doors
- 15623068 FOR 2-36" (913mm) X 80" (2,03m) Doors

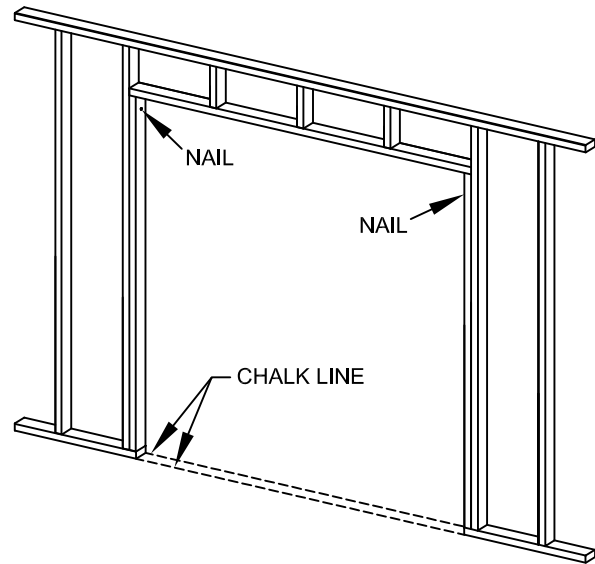
**CONVERGING DOORS REQUIRE TWO FRAMES AND THE 1556PLBG CONVERGING DOOR KIT.**  
1562 Frames for 7/0, 8/0 Tall Doors available.

**NOTE:** Instructions are for a 80" (2,03m) door, if door is shorter, lower header and cut bottom ends of Split Studs. If taller, order taller 1562 Bypass Pocket Door Frame, i.e. 1562 7/0, 8/0 frames.

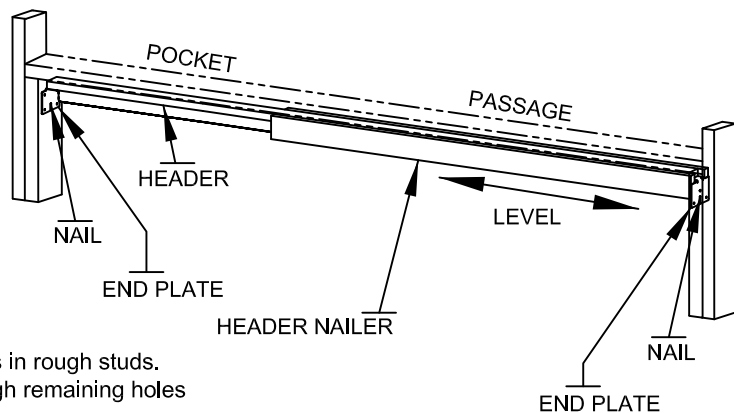
- 1 CONSTRUCT ROUGH OPENING:** Header must be **SQUARE** and **PLUMB** with studs and **LEVEL**.  
Minimum Height is Door Height 80" (2,03m) plus 5-3/4" (146mm).  
Rough Opening Width is 3X Door Width plus 7/8" (22mm).



- 2 MEASURE** up from finished floor 80-3/4" (2.05m) or from sub-floor to 81-1/2" (2.07m). This will give 3/4" (19mm) to 1-1/2" (38mm) clearance under door. Mark each rough stud and drive a flat head nail on center, leaving 1/8" (3mm) protruding. (Frame header end brackets will rest on these nails).

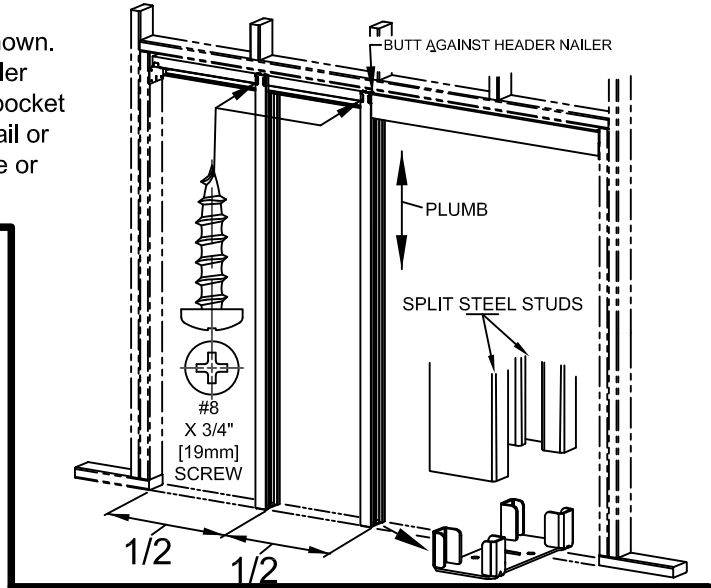
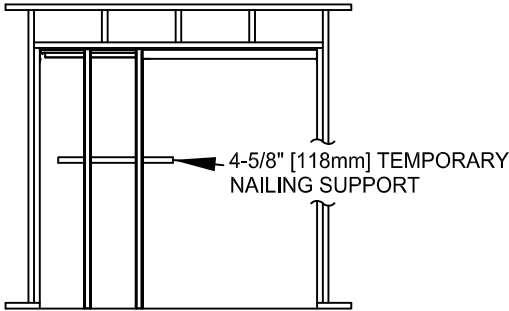


- 3 SNAP** a chalk line on floor even with side jambs.

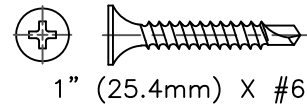


- 4 SLIP** slots in Frame Header End Plates over nails in rough studs. **LEVEL** HEADER. Set nails and drive nails through remaining holes in end plates.

**5 SLIP** fingers of Floor Plate into Split Studs as shown. Screw one pair of studs flush to side of Side Nailer Boards of Header and the other pair midway in the pocket area. Plumb Split Studs between Chalk lines and nail or screw to floor. (On masonry, use industrial adhesive or Tapcon fasteners.)



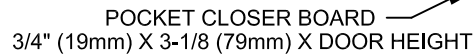
**6** Apply desired wall material with 1" (25.4mm) X #6 Self drilling drywall screws. Use seven (7) screws per Split Steel Stud.



**7 CUT** a clear board 3/4" (19mm) X 3-1/8" (79mm) X Door Height. This will be attached to back of Guide Door to close pocket when opening is closed.

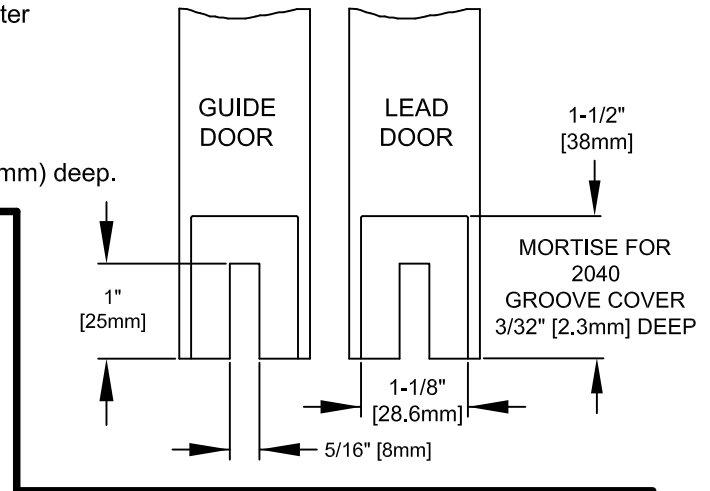
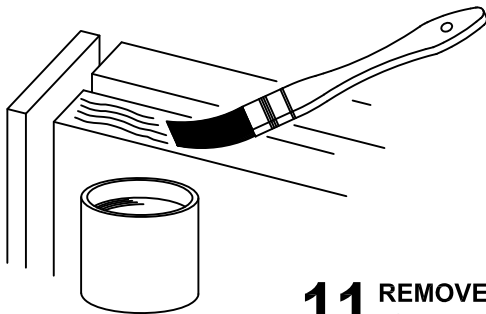


**8 ATTACH** Pocket Closer Board to back edge of Guide Door.



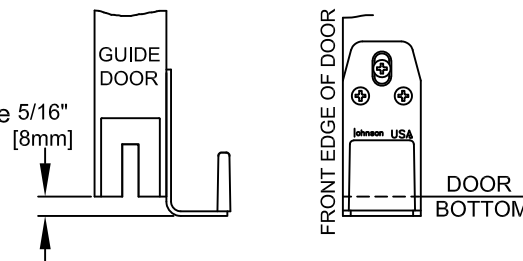
**9 ROUTE** 5/16" (8mm) X 1" (25mm) groove in the center of each doors bottom rail.

**10 MORTISE** ends of Lead Door and front edge of Guide Door for 2040 Groove Cover. 1-1/8" (28.6mm) wide X 1-1/2" (38mm) high X 3/32" (2.3mm) deep.



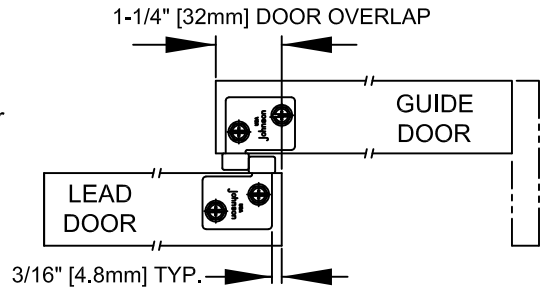
**11 REMOVE** Pocket Closer Board from Guide Door and seal all edges and faces of doors and pocket closer board with paint or sealer stain.

**12 ATTACH** 2032 Side Mount Guide to front face of Guide Door on same side as the Pocket Closer Board extends pass door face.



**13 ATTACH** 2054 Pull Catch to top front edge of Guide Door and top rear edge of Lead Door.

VIEW OF 2054 MULTI-DOOR PULL CATCH

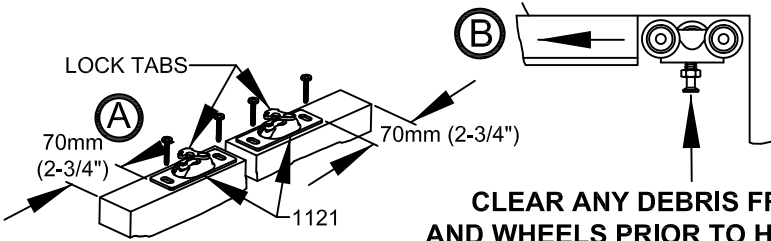
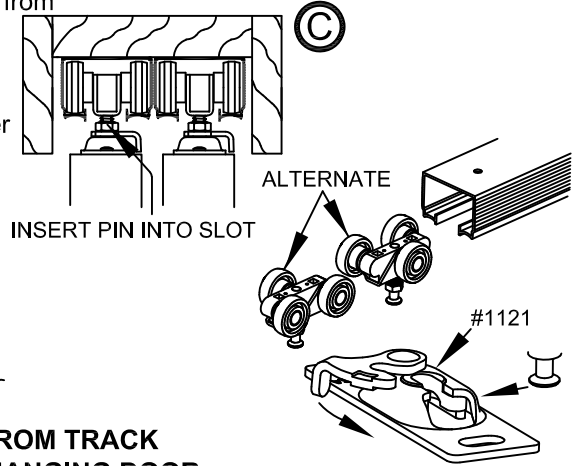


**14 A/Attach** door plate 1121 on top of door 2-3/4" (70mm) from each edge with lock tab on same side.

**B/ Insert** 1125 hangers into tracks alternating wheel wheel positions for even weight distribution.

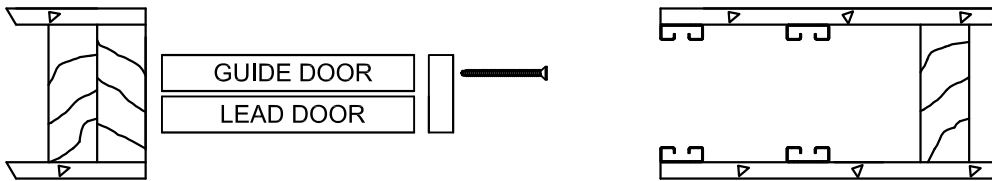
**C/ Mount** Guide Door by first locating door plate 1121 under adjusting bolt of 1125 Hanger. Lift door and push bolt into door plate. Repeat with other hanger/door plate.

**D/ Mount** Lead Door next to Guide Door in same manner.

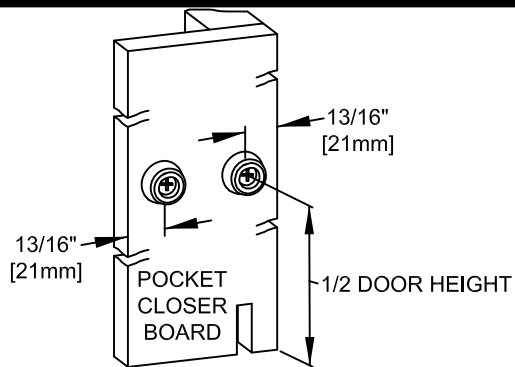


**CLEAR ANY DEBRIS FROM TRACK AND WHEELS PRIOR TO HANGING DOOR.**

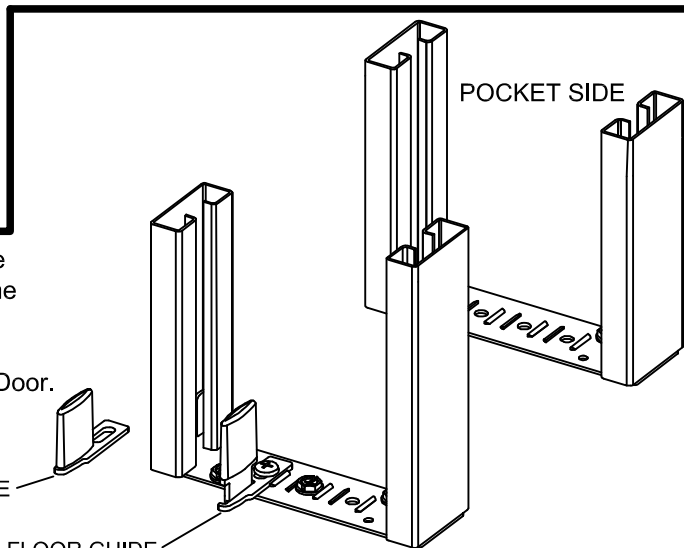
**15 SLIDE** Guide Door and Lead Door to strike Jamb rough stud and reattach Pocket Closer Board to Guide Door.



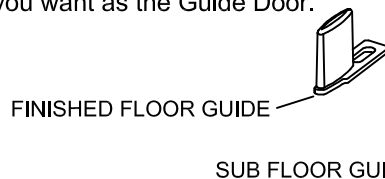
**Note:** Side Mount Guide must be in route groove of lead door.



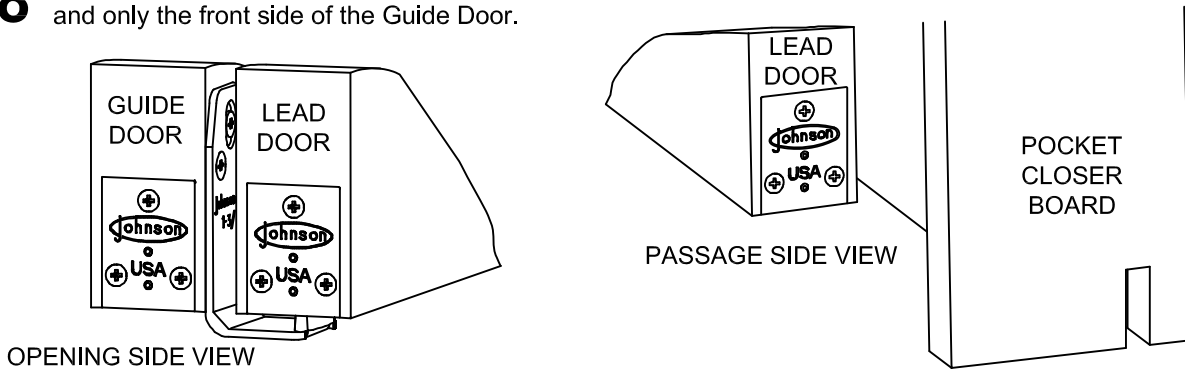
**16 FASTEN** 1513 Bumpers to back of Pocket Closer Board 1/2 the door height from floor. 13/16" (421m) from each edge.



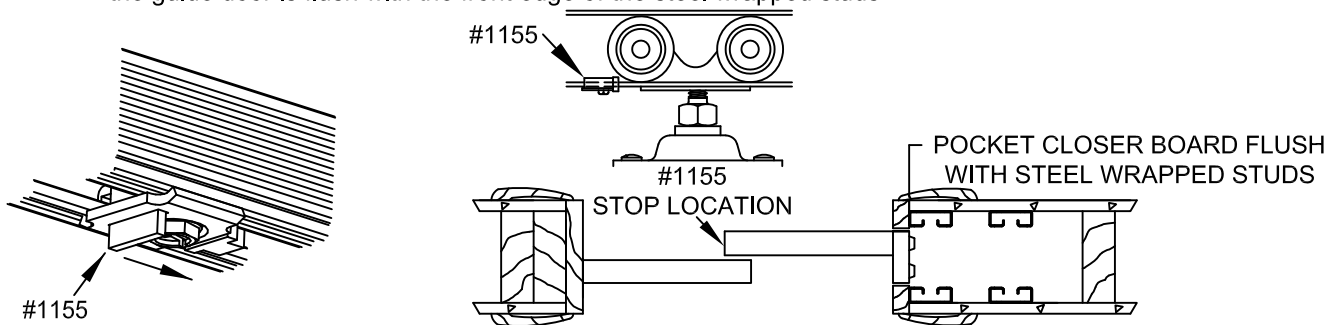
**17 ATTACH** 2041 Guide to floor bracket at edge of pocket opening. Use tall Guide when frame is attached to sub floor or Short Guide when attached to finished floor. Be sure to mount the 2041 on the side you want as the Guide Door.



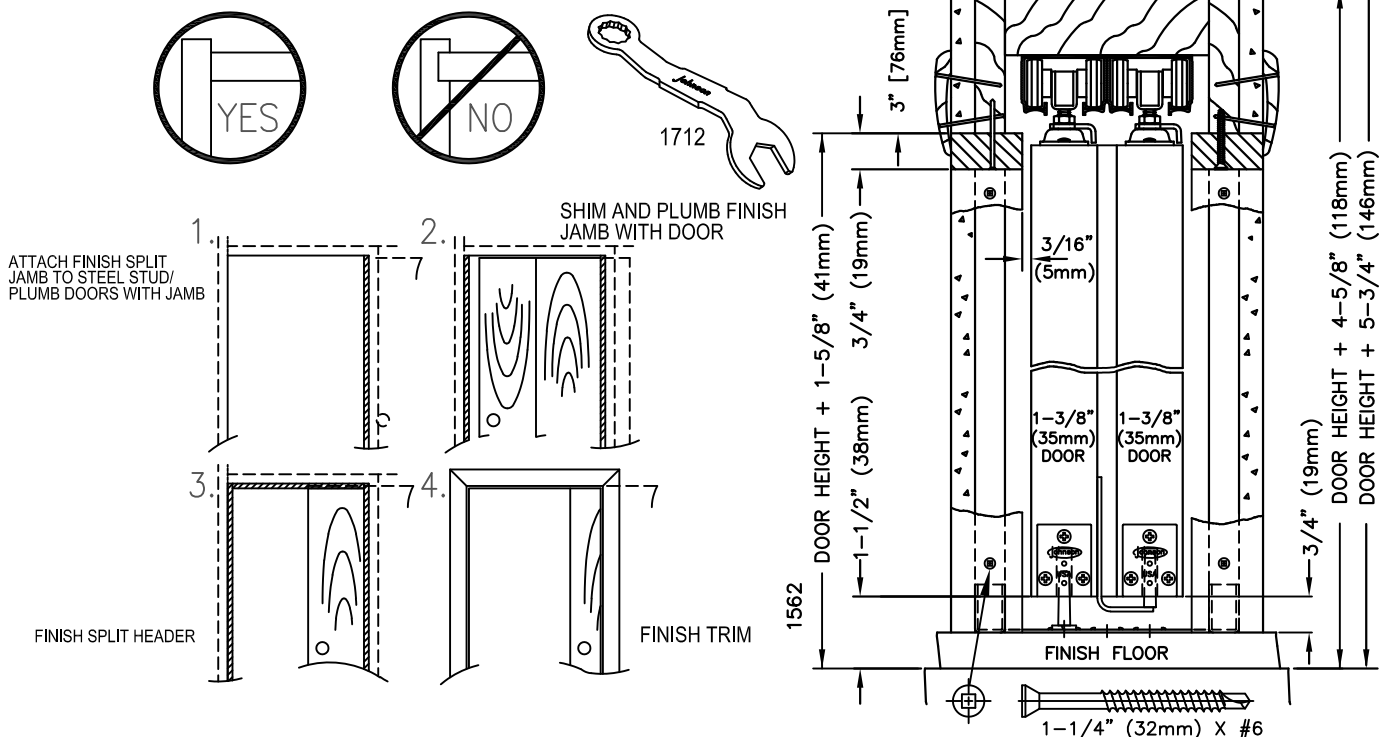
**18 ATTACH** 2040 Route Groove covers in mortised area, both sides of the Lead Door and only the front side of the Guide Door.



**19 SLIDE** 1155 Stop into Guide door track and adjust until the back edge of the Pocket Closer Board on the guide door is flush with the front edge of the steel wrapped studs.



**20 INSTALL** finished jambs, split header and casing as shown. Fasten split header on 1121 lock lever side with screws for future door removal or adjustment. **DO NOT USE JAMBS WITH DADO'S.**

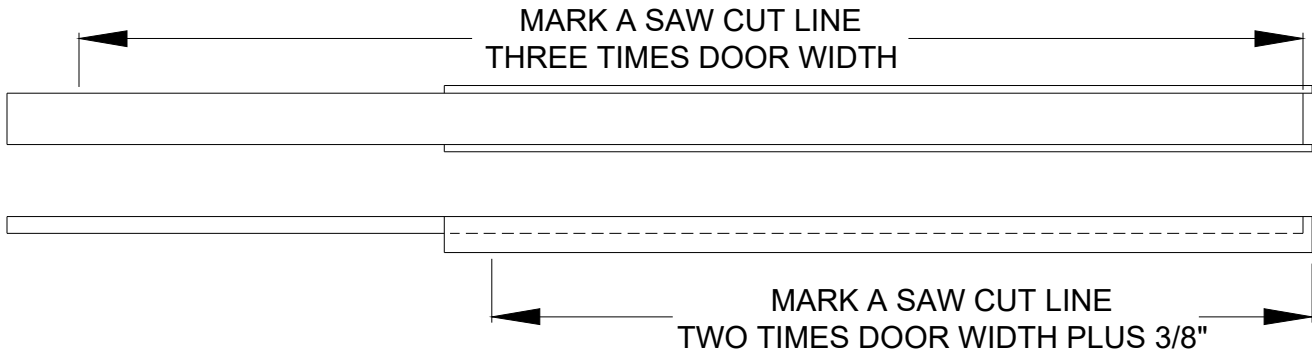


# INSTRUCTIONS

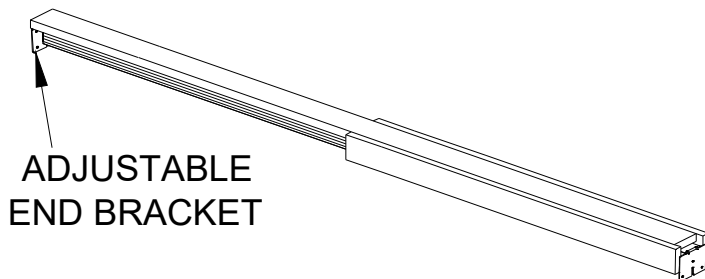
## 1562 SERIES

### Cutting Instructions-Johnson Hardware Pocket Door Frame Header

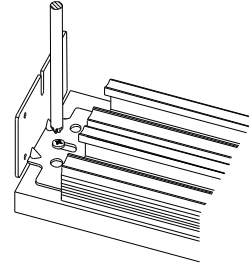
- 1** Mark Header and Side Nailers for door size.



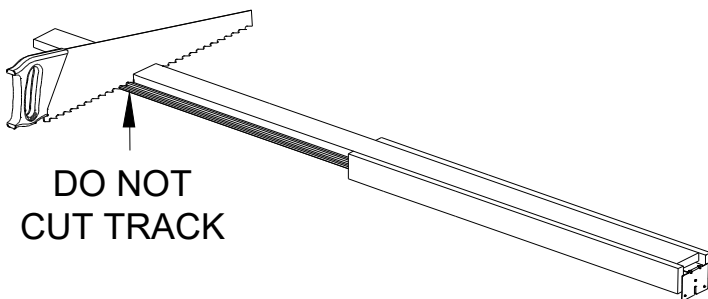
- 2** Remove Adjustable End Bracket.



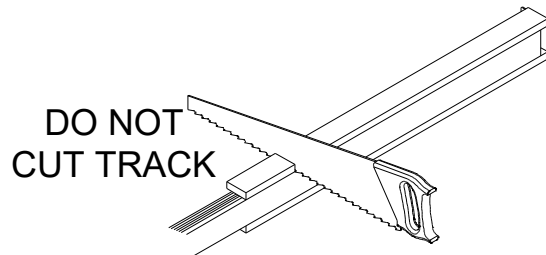
- 5** Replace Adjustable End Bracket on new cut end of header.



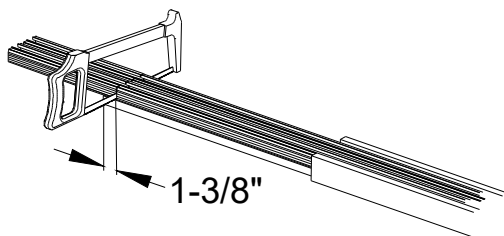
- 3** Cut through WOOD part of header only at mark.



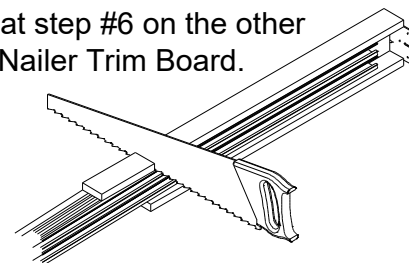
- 6** Turn Header on side and cut Side Nailer Trim Board ONLY at mark. Remove cut off end and discard.



- 4** Turn Header over and cut Tracks 1-3/8" shorter than wood Header.



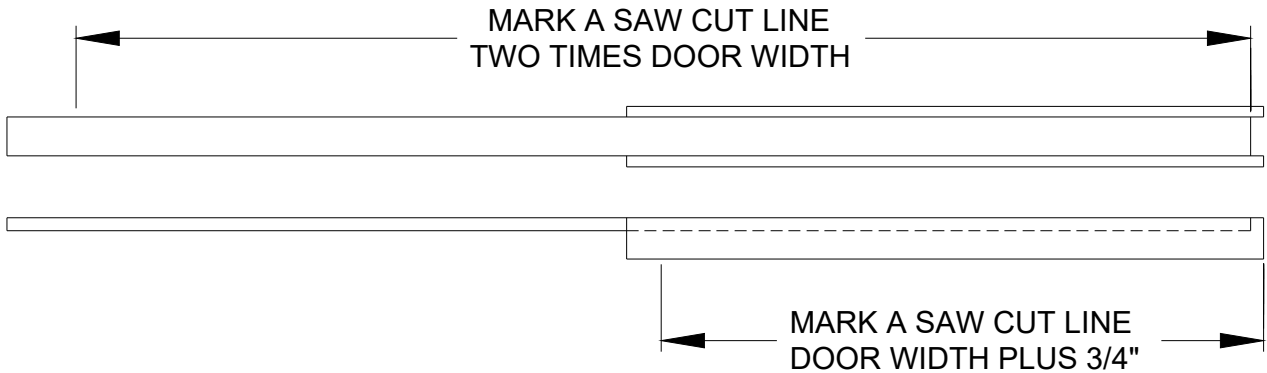
- 7** Repeat step #6 on the other Side Nailer Trim Board.



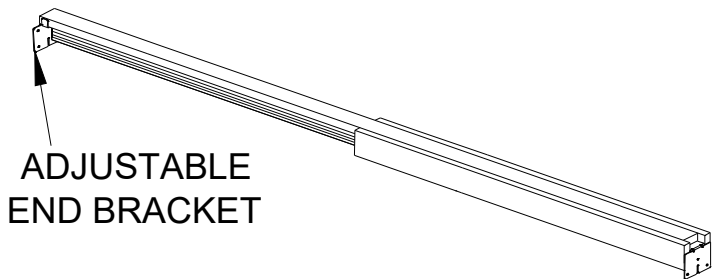
# INSTRUCTIONS

## Cutting Instructions for unmarked frames or non standard door widths

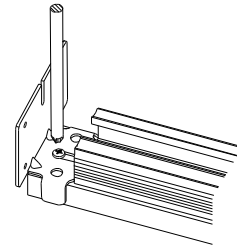
**1** Mark Header and Side Nailers for door size.



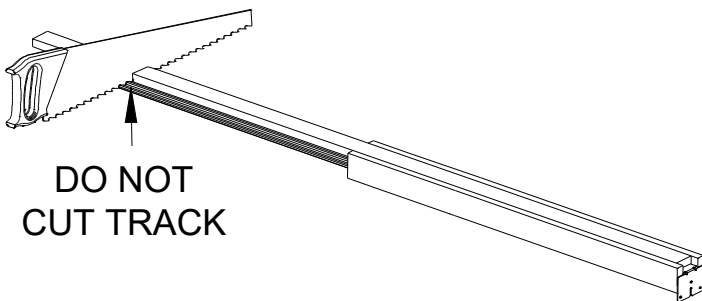
**2** Remove Adjustable End Bracket.



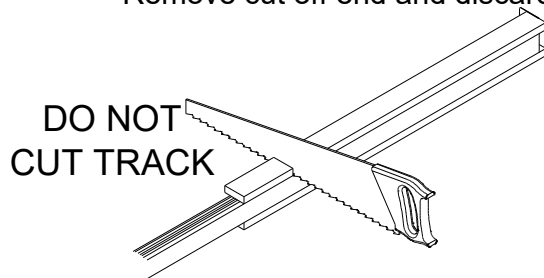
**5** Replace Adjustable End Bracket on new cut end of header.



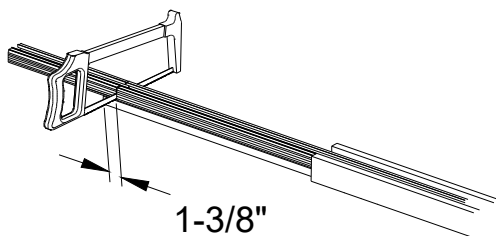
**3** Cut through WOOD part of header only at mark.



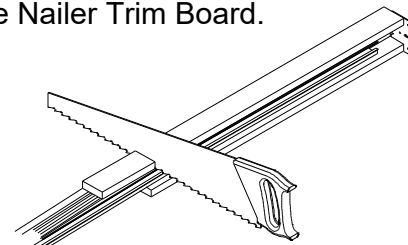
**6** Turn Header on side and cut Side Nailer Trim Board ONLY at mark. Remove cut off end and discard.



**4** Turn Header over and cut Track 1-3/8" shorter than wood Header.



**7** Repeat step #6 on the other Side Nailer Trim Board.



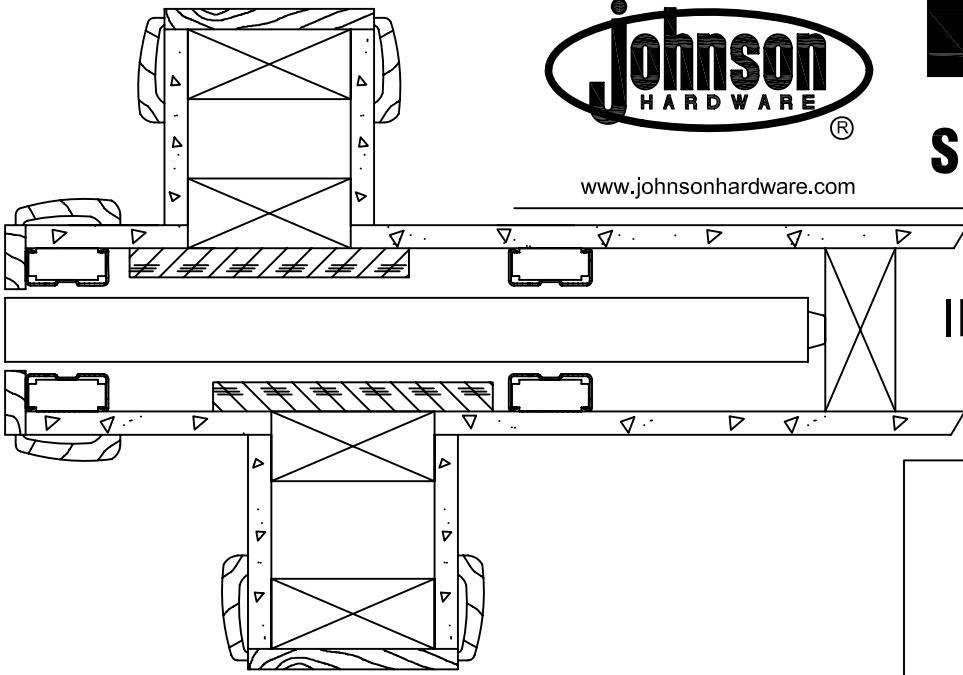


www.johnsonhardware.com

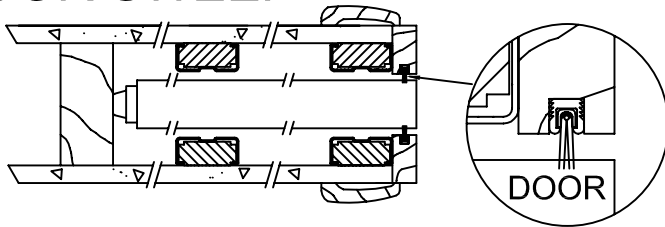
# INSTRUCTIONS

## SPECIAL APPLICATIONS

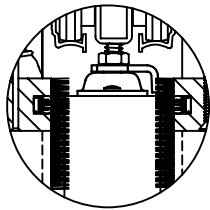
### INTERSECTING WALLS



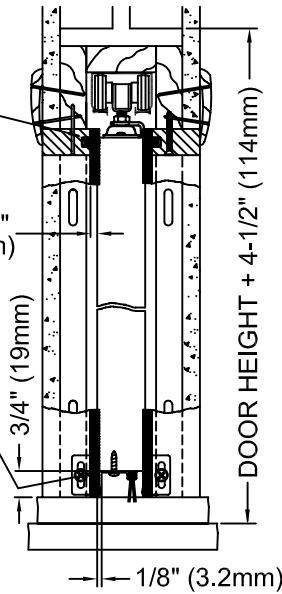
### DOOR SWEEP



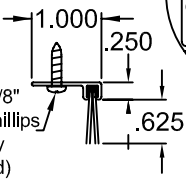
● PEMKO 5025\_p



3/16" (5mm)

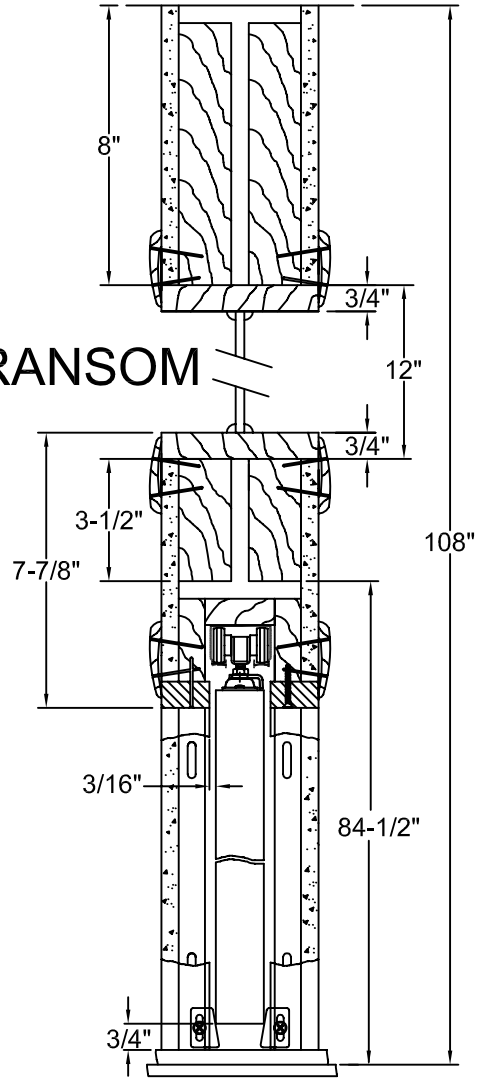


No. 6 x 5/8" PHSMS, Phillips (Factory Provided)

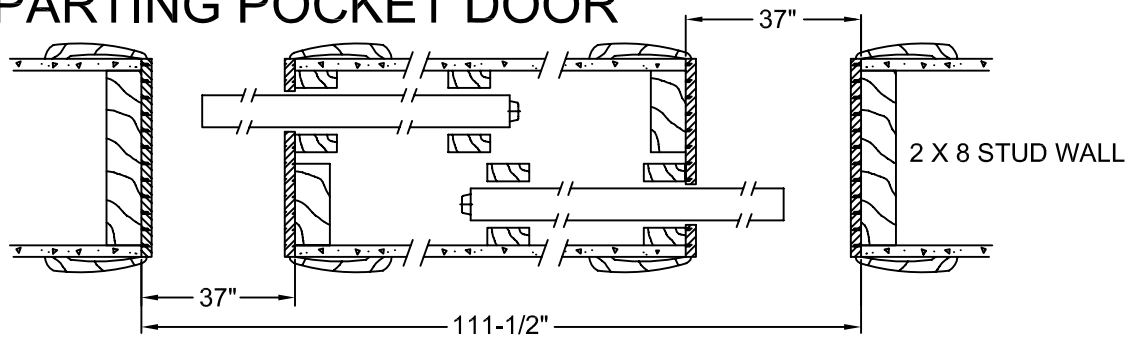


● PEMKO 90062\_P

### TRANSOM



### BI - PARTING POCKET DOOR

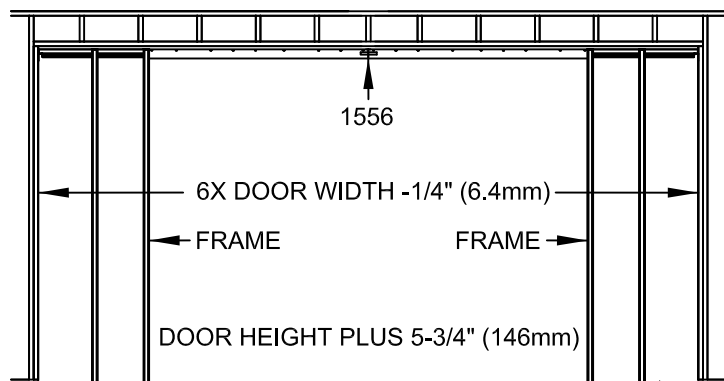


# INSTRUCTIONS

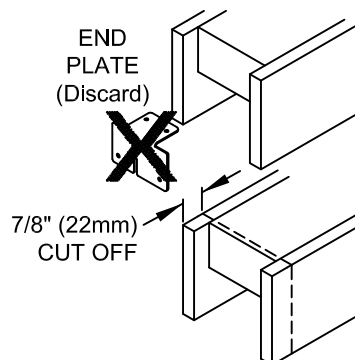
FOR USE WITH TWO JOHNSON  
1562 BYPASS  
POCKET DOOR FRAMES

## 1556 CONVERGING DOOR KIT

www.johnsonhardware.com

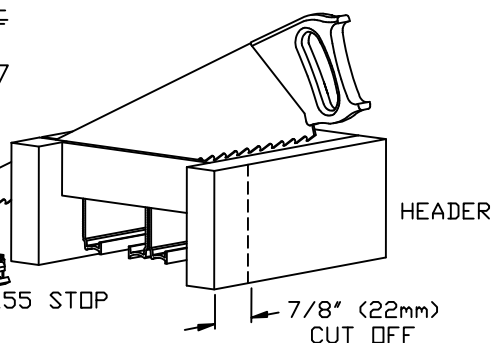
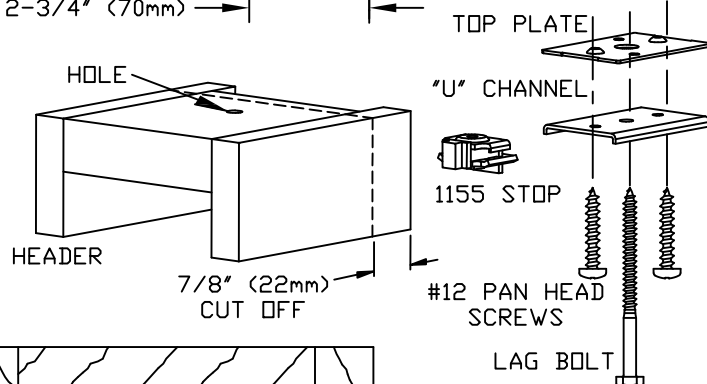
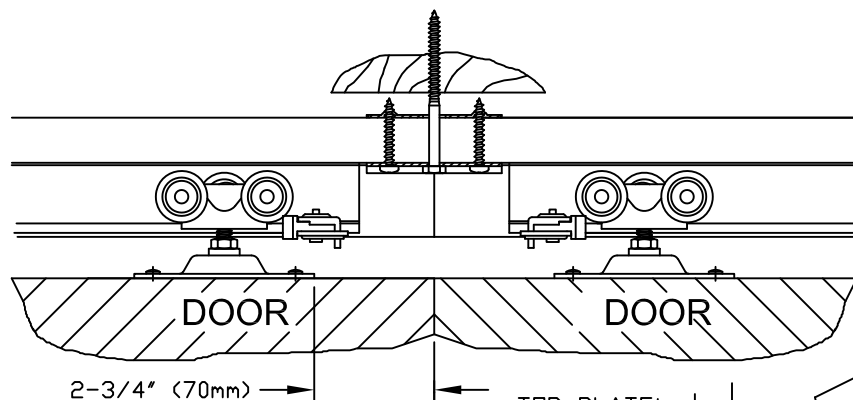


ROUGH OPENING WIDTH IS SIX TIMES DOOR WIDTH - 1/4" (6.4mm)



### 1556PLBG CONVERGING DOOR KIT For joining two Johnson 1562 Pocket Door Frames

- Remove and discard end plates from "door opening" end of each header.
- Cut 7/8" (22mm) from length of each header (wood part only) where discarded end plates had been located. Cut ends square to keep header straight when joined.



- Butt cut ends together and insert "U" channel, aligning cut ends of headers with center mark stamped in channel. Using channel as guide, drill two 3/16" (4.7mm) holes through headers at outer channel holes. Insert screws through these holes and into top plate on top of header. Tighten, forming a one-piece header.
- Drill a 1/4" (6.3mm) hole at channel center where header ends meet to enable the lag screw to be fastened into rough header for increased center support.
- Insert stops into track and leave loose until doors are hung, then tighten. Proceed with regular frame assembly instructions.

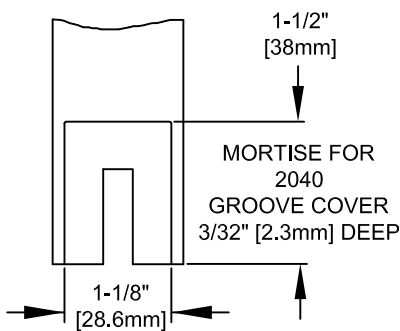
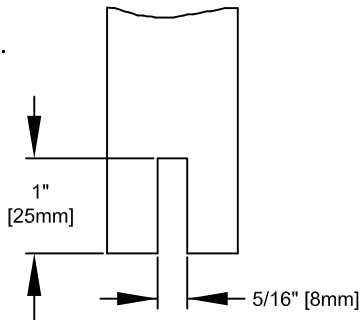


# INSTRUCTIONS

## 2041 PDF BOTTOM GUIDE SET

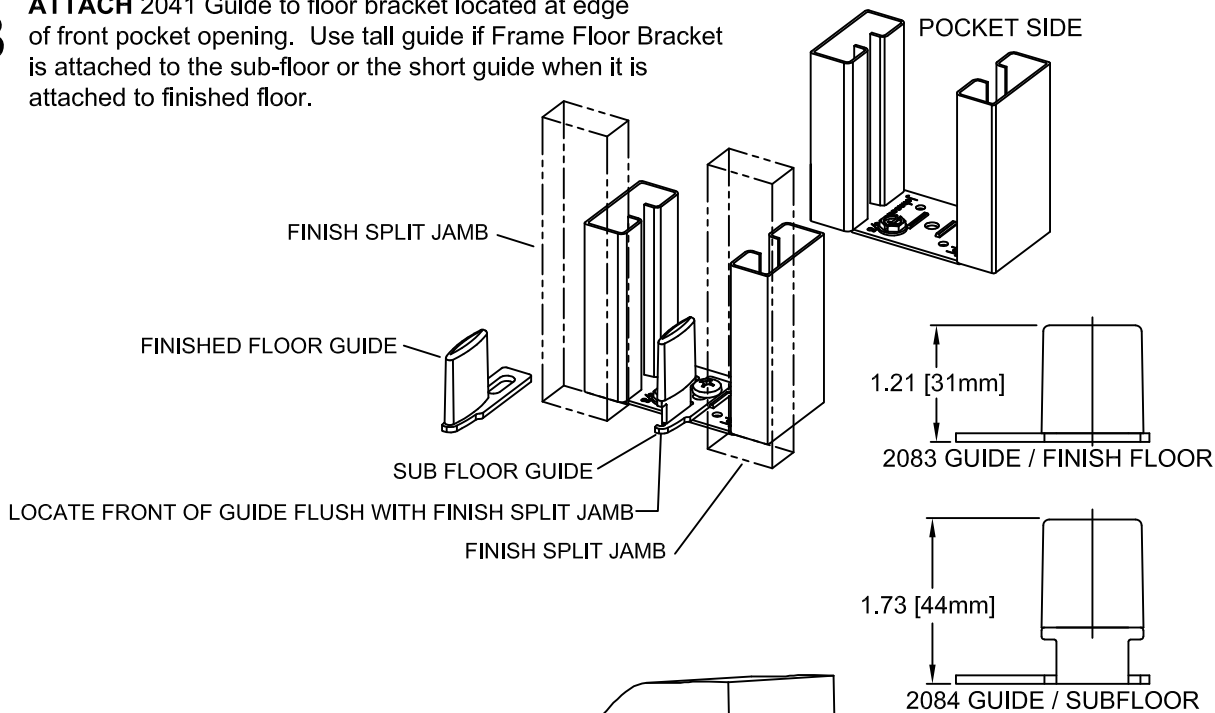
FOR USE WITH JOHNSON  
2000, 2060, 1500, 1560, 2511  
POCKET DOOR FRAMES

**1** ROUT 5/16" (8mm) X 1" (25mm) groove in bottom of Door.

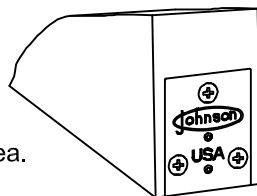


**2** MORTISE end of Door's front edge for 2040 Groove Cover. 1-1/8" (28.6mm) wide X 1-1/2" (38mm) high X 3/32" (2.3mm) deep.

**3** ATTACH 2041 Guide to floor bracket located at edge of front pocket opening. Use tall guide if Frame Floor Bracket is attached to the sub-floor or the short guide when it is attached to finished floor.



**4** ATTACH 2040 Rout Groove Cover in mortise area.



PASSAGE SIDE VIEW



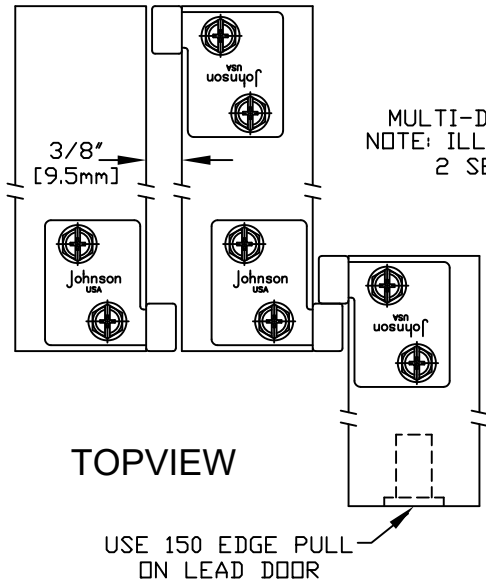
www.johnsonhardware.com

# INSTRUCTIONS

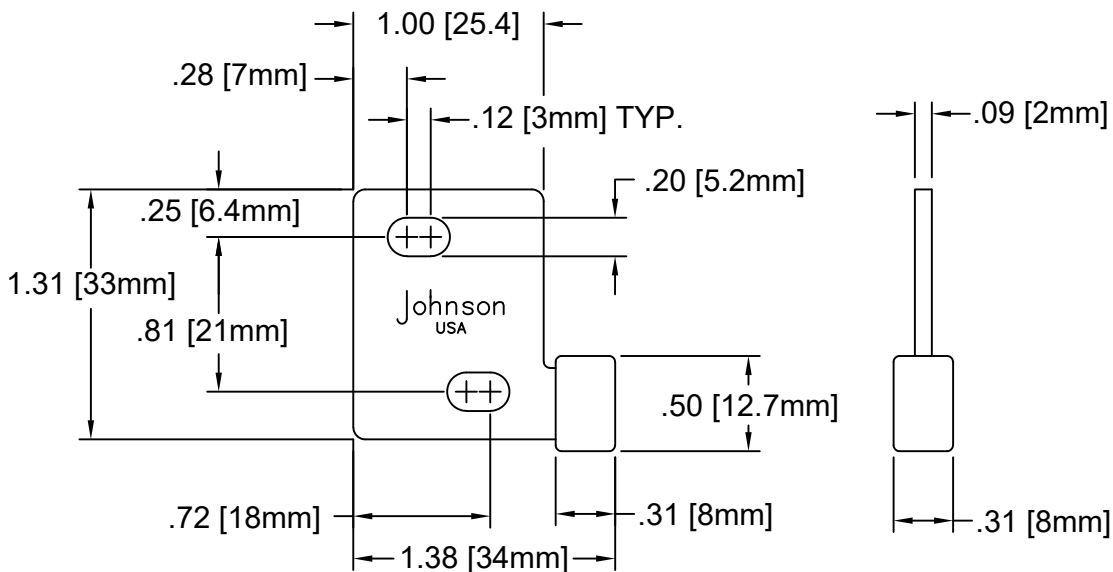
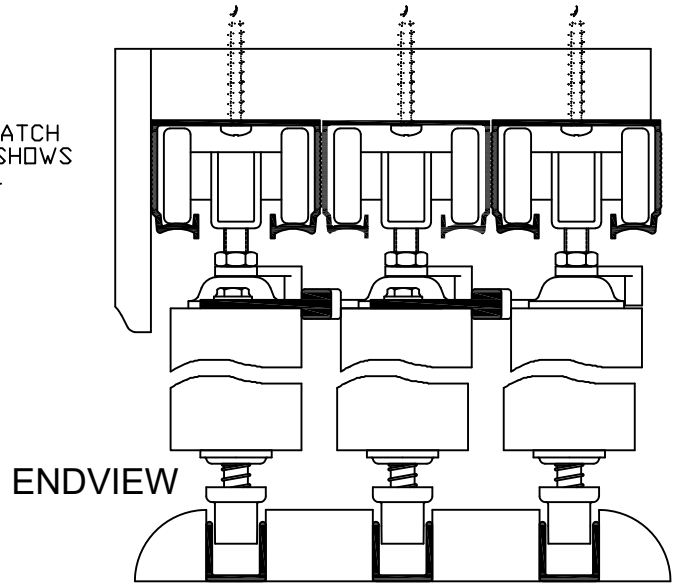
## 2054 Multi-Door Pull Catch

FOR USE WITH TWO OR MORE  
SLIDING DOORS

MINIMUM DOOR  
THICKNESS 1" [25mm]



2054  
MULTI-DOOR PULL CATCH  
NOTE: ILLUSTRATION SHOWS  
2 SETS OF 2054



2054 MULTI-DOOR  
PULL CATCH

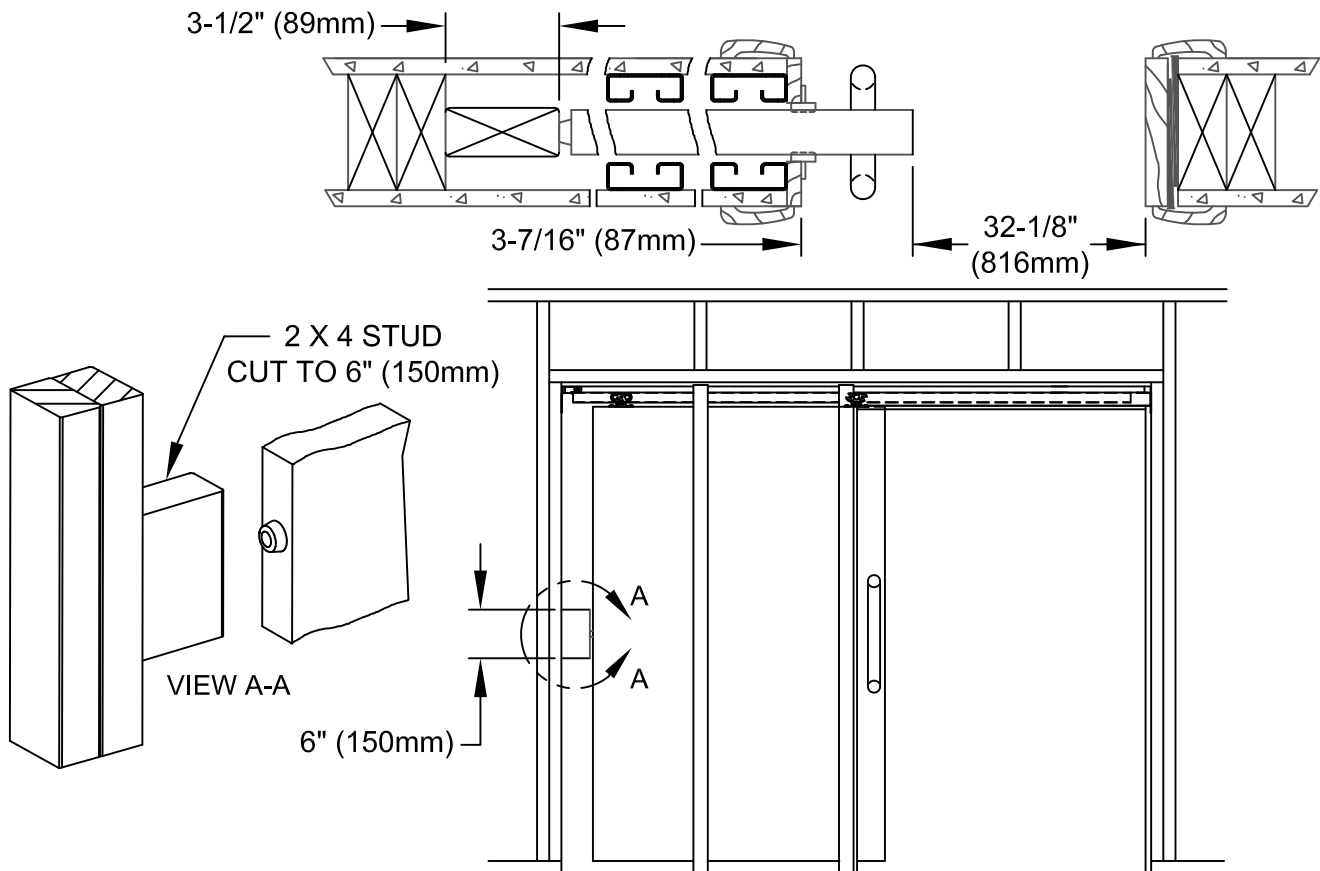


# INSTRUCTIONS

## HANDICAPPED ACCESSIBLE OPENING

www.johnsonhardware.com

- The Pocket Door Frame is the perfect solution to achieve handicapped accessible opening in the interior of any home or commercial establishment.
- The Pocket Door does not need to swing in or out of an opening. The swinging of a door requires forward or backward movement of a person using a walker or a wheel chair.
- All the Pocket Door requires is the movement of the door left or right. The handicapped person can support themselves in the walker or wheel chair and move their arm across the front of their body.
- A swinging door requires a person to move backward or forward to follow the movement of the door. This requires the handicapped person to not only operate the door with one hand but move the walker or wheel chair with the other. This may be just an irritant to someone in a wheel chair, but it could be dangerous for someone using a walker.



### 1500 SERIES FRAME WITH HANDICAP PULLS

To meet ADA 4.13.9 Door Hardware and 4.13.11 Door Opening Force requirements, the handicap pulls need to always be exposed in the opening and the maximum force to move the door is 5lbs. (2.3kg). To achieve this, start with a 153068HD Pocket Door Frame, with #1125 ball bearing hangers, and a 36" (914mm) door.

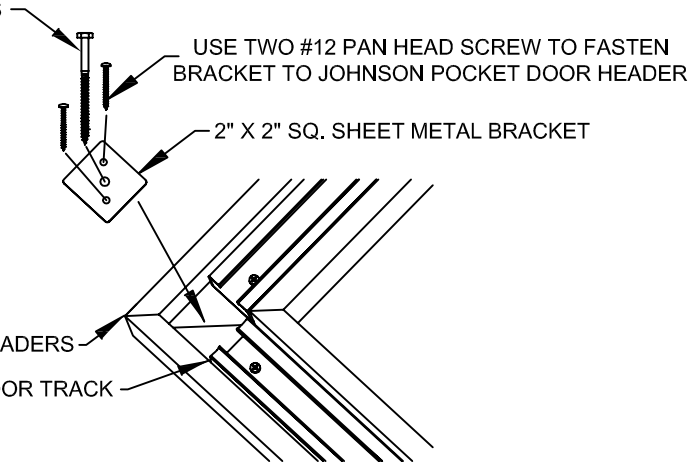
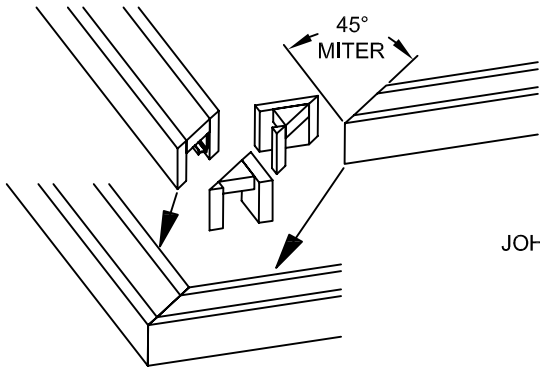
*(Can also use the 2000 for 2 X 4 stud walls, 2 X 6 stud walls use the 2060 or 1560)*

1. Make the rough opening according to the instructions for a 36" (914mm) door.
2. Before drywalling the opening, put a 2 X 4 by 6" (150mm) piece of wood on the pocket end rough stud at the point the rubber bumper, which is attached to the door, would hit the rough stud.
3. Apply drywall
4. Finish opening according to instruction sheet.
5. After opening has finished trim on it, the door will protrude from the pocket approximately 3-7/16" (87mm). Attach large "U" shaped handicap pull to door.
6. The clear opening will be approximately 32-1/8" (816mm).
7. If you would like a larger amount of the door protruding into the opening or more clear opening use a larger frame and door.  
**Example:** 42" (1066mm) door and 5-7/16" (138mm) of door protruding would equal a clear opening of 36-1/8" (916mm).

# CONVERGING CORNER POCKET

USE APPROPRIATE SIZE LAG BOLT TO SECURE THRU JOHNSON HEADERS  
TO ROUGH POCKET DOOR OPENING HEADERS

USE TWO #12 PAN HEAD SCREW TO FASTEN  
BRACKET TO JOHNSON POCKET DOOR HEADER



MITER JOHNSON POCKET DOOR HEADER ON 45°

ATTACHING JOHNSON POCKET DOOR HEADERS TO ROUGH OPENING

