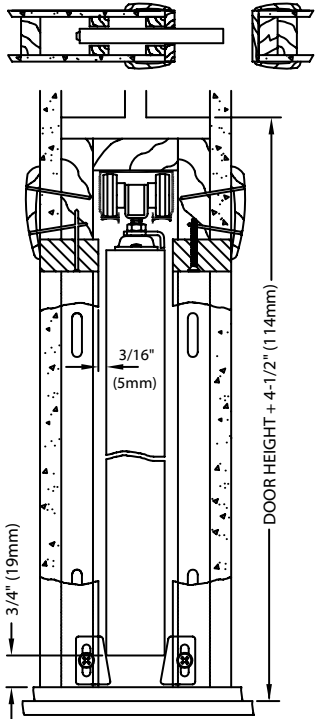


1500SC Soft Close and Open Commercial Grade Pocket Door Frame for 1" to 1 3/8" Thick Doors (1 3/4" with 1575 Adaptor Kit) to 200 lbs.



ORDERING DATA



1500SC

For 2 x 4 Construction. Same features as the 1500 Series frame, but it includes two 1060 soft close assemblies to enable both soft close and soft open along with the smooth rolling of ball-bearing hangers. All frames for doors up to 1 3/8" can be converted for 1 3/4" doors with 1575PPK3 adaptor kit. All oversized frames include 1575PPK3 adaptor kit.



Item No.	Description	lbs/Case
Accessories		
1575PPK3	1 3/4" Door Adapter Kit	3/10
1555PPK3	Converging Door Kit	6/10
2041PLBG	Hidden Guide Set	1.7/10

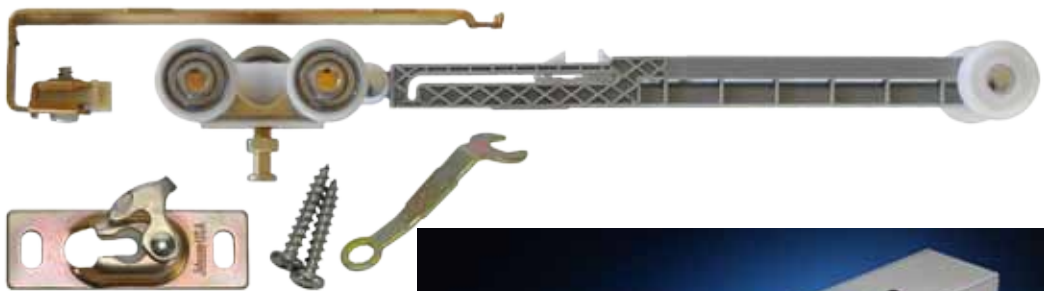
1500 Series Pocket Door Frame Prices

Item No.	Max Door Size	lbs/Case
Frames for 80" Tall Doors and up to 1 3/8" Thick (1575PPK3 available)		
152468SC	For Doors up to 28" wide x 80" tall	30/1
152668SC	For Doors up to 30" wide x 80" tall	30/1
152868SC	For Doors up to 32" wide x 80" tall	30/1
153068SC	For Doors up to 36" wide x 80" tall	30/1
Frames for 80" Tall Doors up to 1 3/4" Thick (1575PPK3 Included)		
153668SC	For Doors up to 42" wide x 80" tall	40/1
154068SC	For Doors up to 48" wide x 80" tall	42/1
Frames for 84" Tall Doors up to 1 3/4" Thick (1575PPK3 Included)		
152470SC	For Doors up to 28" wide x 84" tall	34/1
152670SC	For Doors up to 30" wide x 84" tall	35/1
152870SC	For Doors up to 32" wide x 84" tall	37/1
153070SC	For Doors up to 36" wide x 84" tall	39/1
153670SC	For Doors up to 42" wide x 84" tall	43/1
154070SC	For Doors up to 48" wide x 84" tall	50/1
Frames for 96" Tall Doors up to 1 3/4" Thick (1575PPK3 Included)		
152480SC	For Doors up to 28" wide x 96" tall	39/1
152680SC	For Doors up to 30" wide x 96" tall	40/1
152880SC	For Doors up to 32" wide x 96" tall	41/1
153080SC	For Doors up to 36" wide x 96" tall	43/1
153680SC	For Doors up to 42" wide x 96" tall	44/1
154080SC	For Doors up to 48" wide x 96" tall	50/1

1060 Soft Close Assembly



ORDERING DATA



Item No.	Lbs./Case Qty
1060	1/1
1060SOFT	6.7/5



SOFT-Close/Open

- Make your sliding doors Soft Close quietly and securely.
- Doors up to 200 lbs(91kg) are smoothly braked and pulled into the closed position.
- Use with new or existing Johnson Hardware Sliding and Pocket Door Hardware. Any sliding door track profile that uses the 1120/1125 hanger can utilize the 1060 Soft Close. Works with the following Hardware Series: 138F, 134F, 100PD, 100SD, 2610F, 1500, 1560, 1562, 2710
- Holds door securely in place, closed or open.
- Prevents door slamming or pinched fingers between door and jamb.
- Use 1 1060SOFT Set per door for "soft-close" OR "soft-open" when you are converting a setup previously using our 1120 standard bearing hangers. Use 1 1060 when converting a setup previously using our 1125 ball-bearing hangers. Minimum 24" (609mm) wide doors.
- Use 2 1060's per door for "soft-close" AND "soft-open". Pocket Doors Minimum 28" (711mm) wide doors. Bypass and Wall-Mount Minimum 24" (609mm) wide doors.