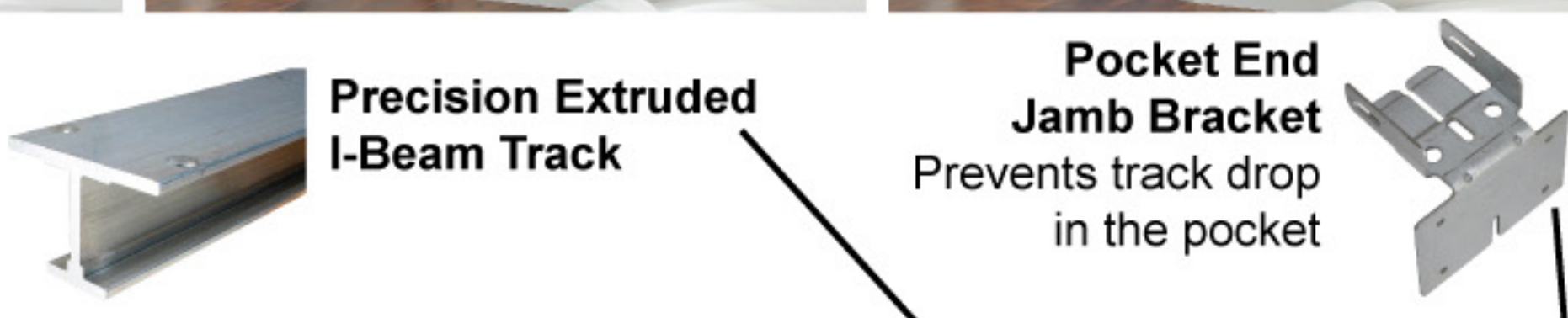




Prefabricated Frame Header Assembly

- Ready to install in 2x4 wall rough opening
- Cutdown for smaller door size (height and width*)
- Extra thick solid wood header and nailer boards
- Pocket door frame carries 100% of door weight
- Pocket door header does not touch rough header



Precision Extruded I-Beam Track

Pocket End Jamb Bracket
Prevents track drop in the pocket

Passage End Jamb Bracket

NEW! Patent Pending Heavy Gauge All Steel Split Studs

- 20% stiffer than wood wrapped version
- Pocket accepts 1-1/8" - 1-3/4" thick doors
- Structure adding 1515-PLY plywood clip compatible
- Galvanized steel plating resists corrosion
- Includes self-tapping drywall and jamb screws



Self Adjusting Floor Brackets
Compensate for floor settling

- NEW! Included Door Guiding Options:**
- 1. Hidden Door Guide Kit**
Guide channel routed in door bottom
 - 2. Standard Door Guide**
Adjustable and visible

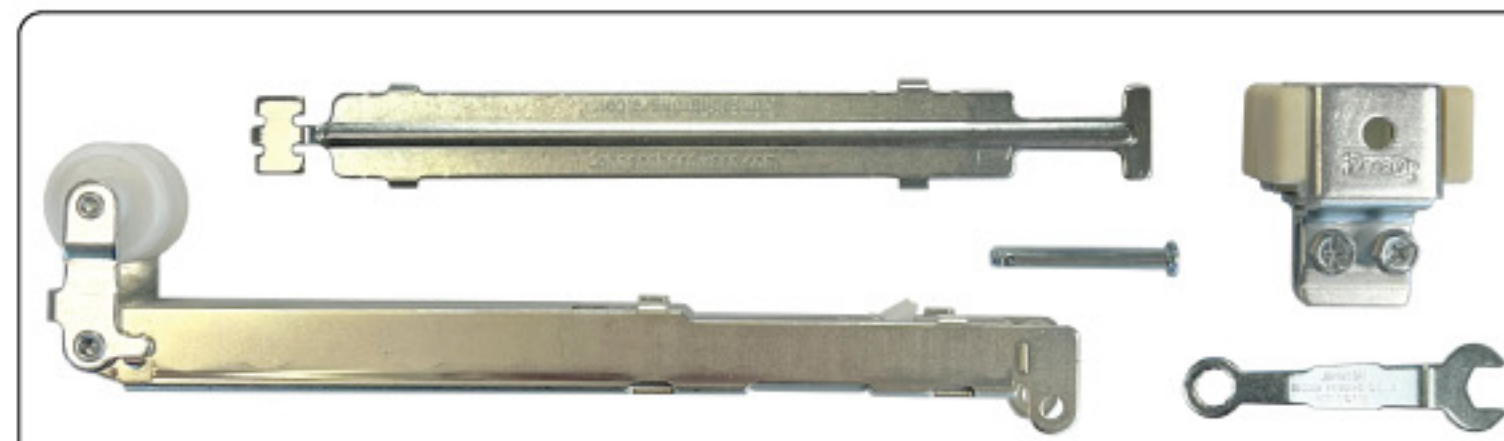
NEW! Included Soft Door Operation

- Dampen door motion in a single or both direction of travel
- "Clip on" dampener assembly for easy installation or removal
- Dampens doors weighing up to 330lbs. (150kg)
- *Min. 32" (813mm) bidirectional soft operation
- *Min. 24" (609mm) single direction soft operation

Heavy-Duty 4-Wheel Door Hanger

- Nylon encapsulated ball bearing wheels
- Smooth rolling and quiet
- Tripod rocker design means all wheels carry equal door weight
- Jump proof design, door cannot drop from track
- Quick release locking tab, remove door without tearing apart the wall
- Height adjustable

NEW Soft Close/Open Door Operation

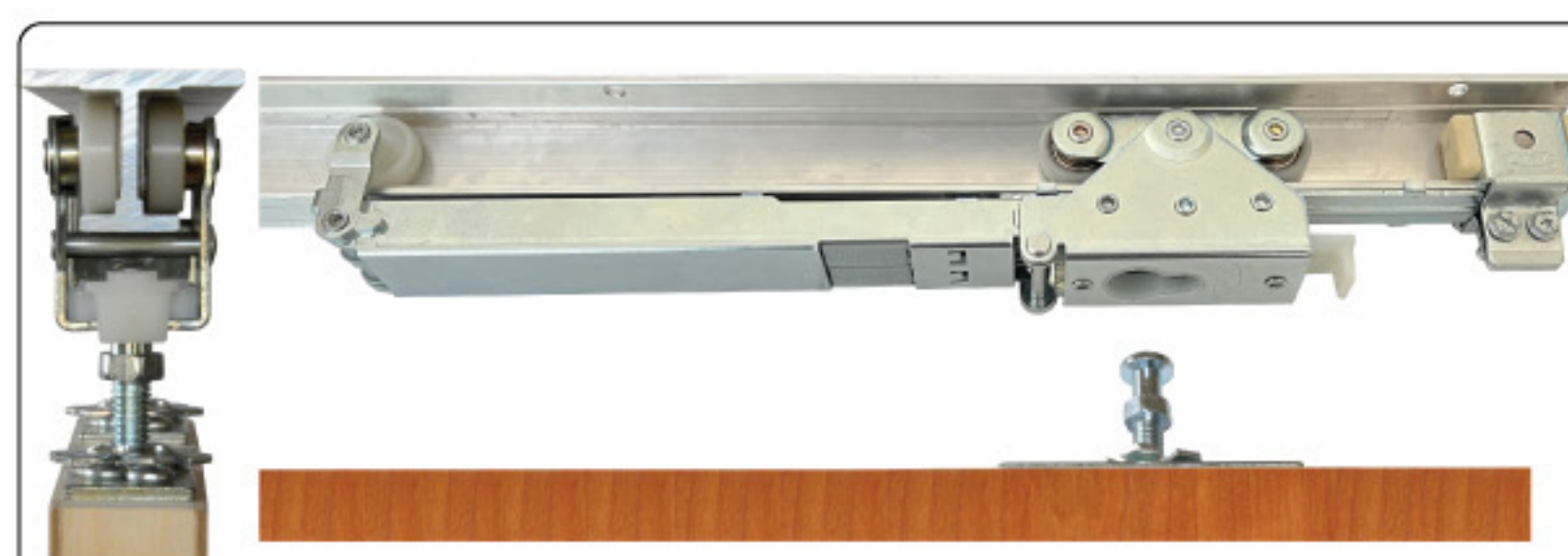


Included 2066 Soft-Close Door Kits

- Two 2066 Soft-Close Door Kits are included with each 2000SC frame
- Dampen door motion in a single direction of travel or both directions
- Quick connect attachment for easy dampener installation or removal
- Adjustment for soft close location and door travel
- 8lbs. of breakaway force to engage dampener

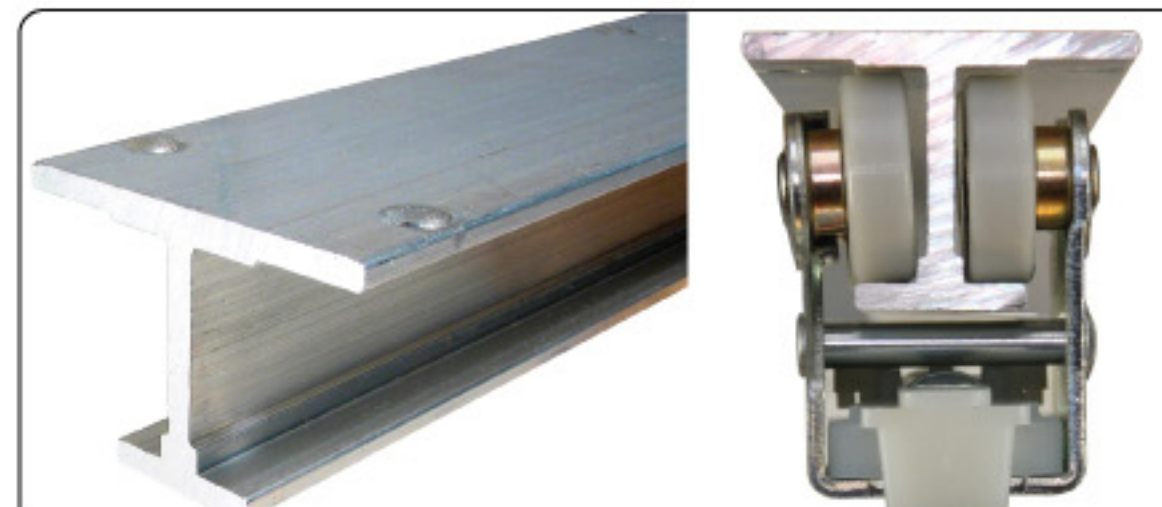
Soft operation minimum door widths

2000SC Pocket door frames may be cut down to accommodate smaller doors. Minimum door widths possible retaining soft operation functionality.



Heavy-Duty Fully Adjustable 4-Wheel Door Hangers

- Smooth rolling and quiet nylon encapsulated ball bearing wheels
- Quick release locking tab, remove doors without tearing apart the wall
- Tripod rocker design means all wheels carry equal door weight
- Jump proof wheel design, door cannot drop from track



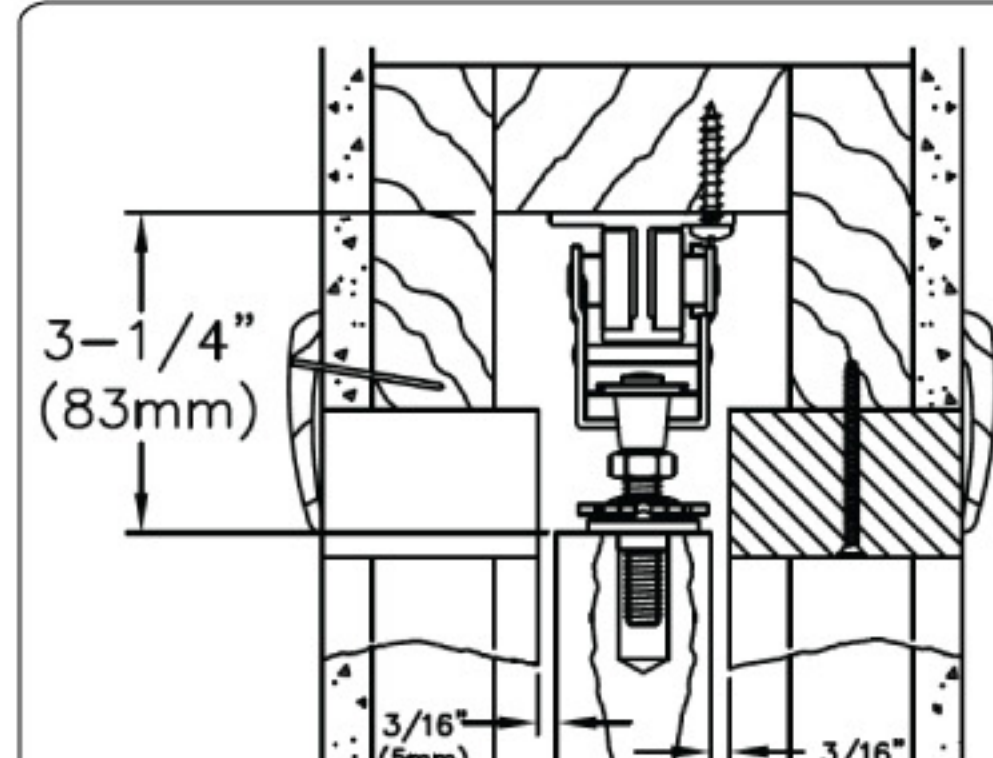
Precision Extruded I-Beam Track

- I-Beam design captures hanger to prevent wheels jumping track.
- Heavy gauge track can carry doors weighing up to 330lbs. [150kg] each.
- Track extrusions can accommodate various door thicknesses.
- Track lengths available up to 192" (16').

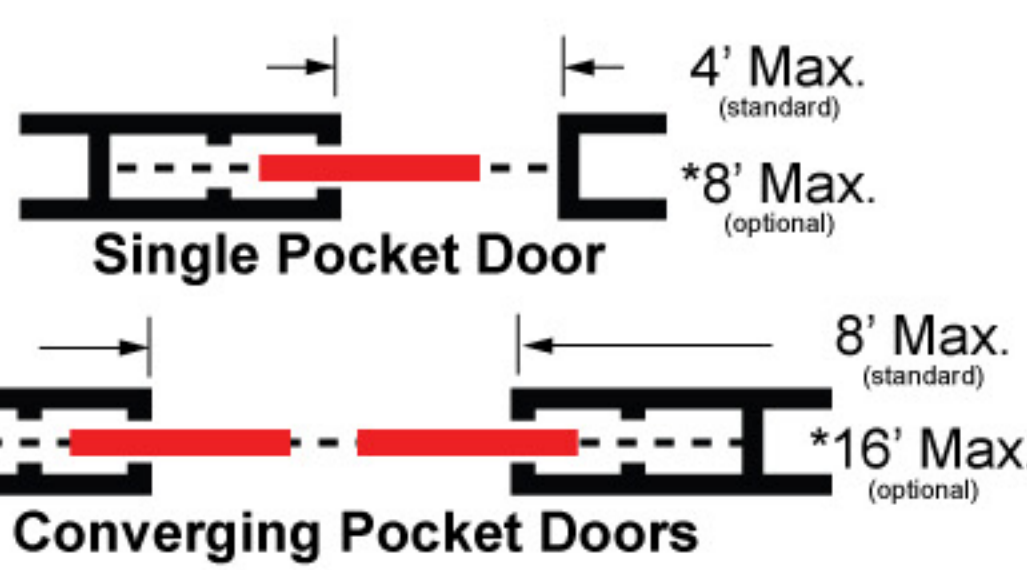


Add structure to your pocket wall with Optional 1515-PLY Plywood Clip Kit

- Add strength and rigidity to pocket door walls
- Solid mounting structure to hang objects or tile
- Requires 5/8" (19/32" Nominal) plywood (NOT INCLUDED)
- Reduces noise through pocket walls



2000SC Standard Configurations



Other Possible Configurations (requires additional components)



*Order track length and part set separately - individual track lengths available up to 16'