

# INSTALLATION INSTRUCTIONS

## KIT-SD131-TR2-A • KIT-SD131-TR3-A

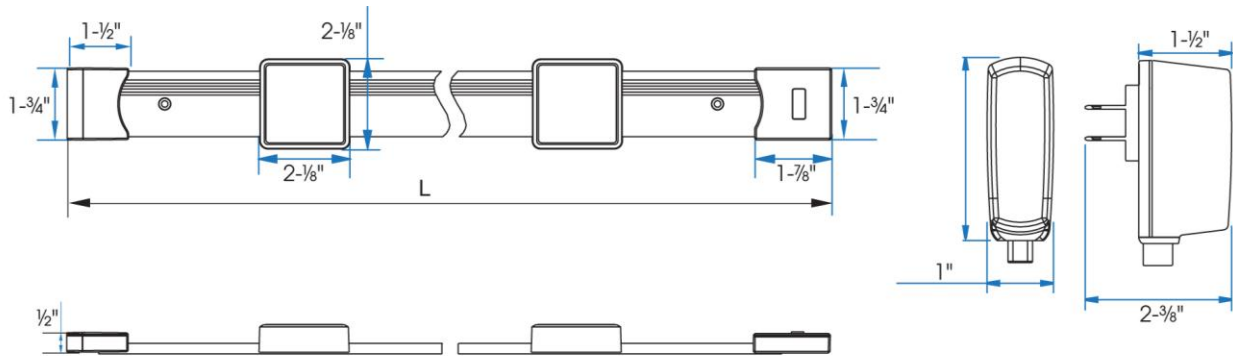


### SAVE THESE INSTRUCTIONS

### IMPORTANT SAFETY INSTRUCTIONS

When installing or using this product, basic safety precautions should always be followed including the following:

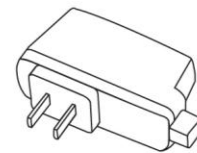
1. Read all instructions before attempting to install this product.
2. For indoor use only. Do not install this product in damp or wet locations.
3. Regularly check the cords, power supply, light source, and all other part for damage. In any part is damaged do not use or install this product.
4. Ensure main power is off before installing or wiring this product.
5. Disconnect electrical power before adding to or changing the configuration of this product.
6. The light sources are non-changeable light emitting diodes (LED). Do not disassemble this product.
7. Configure the design, layout, and wiring plan before attempting to install this product.



Model	Rated input	Power	Length(L)	No. of Fixtures	Ambient Temperature
KIT-SD131-TR2-A	100-120VAC	4.3W	23-5/8"	2 Fixtures	-4°F~95F°
KIT-SD131-TR3-A	100-120VAC	6.5W	35-1/2"	3 Fixtures	-4°F~95F°



1x



1x



1x



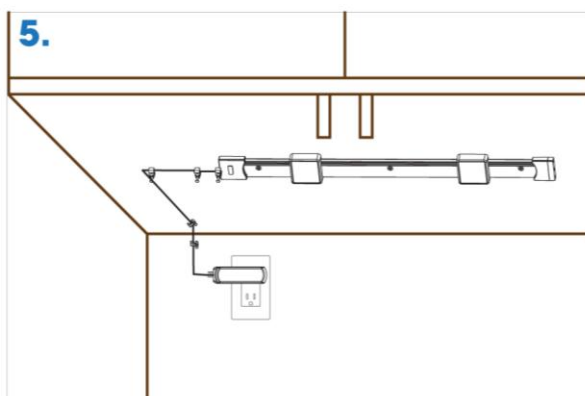
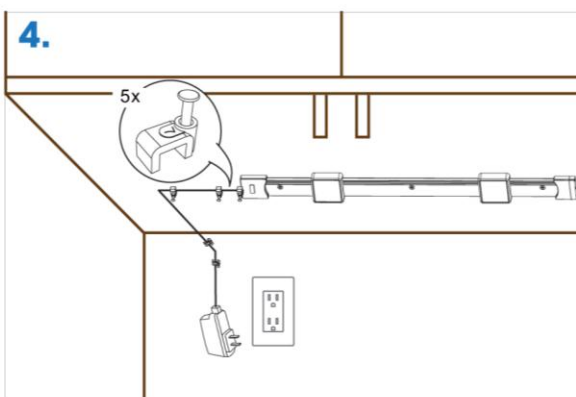
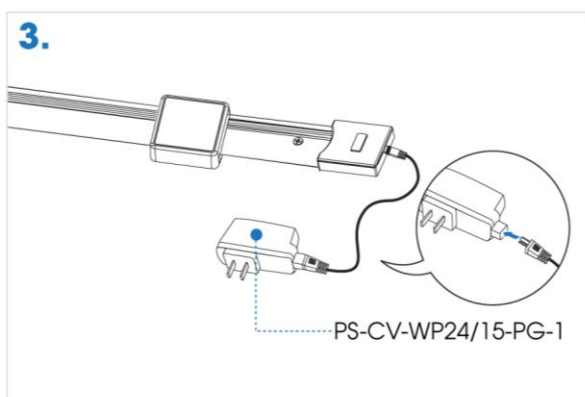
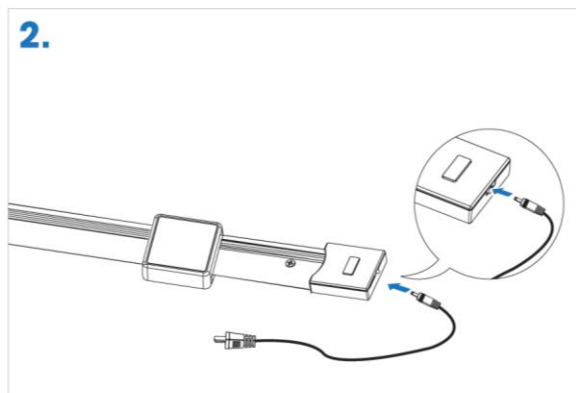
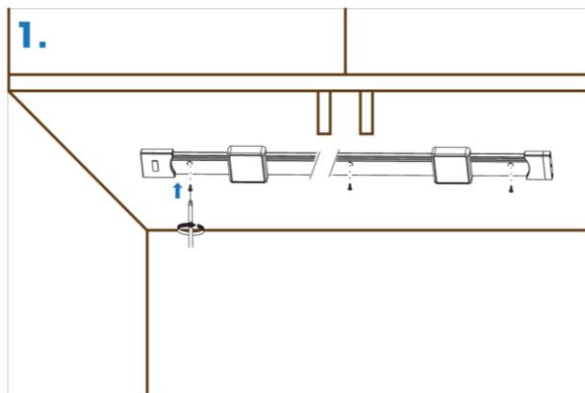
Model	No. of screw
KIT-SD131-TR2-A	3
KIT-SD131-TR3-A	4



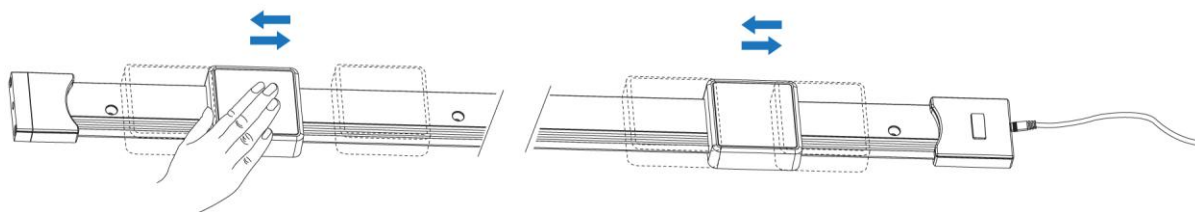
5x

# INSTALLATION INSTRUCTIONS

KIT-SD131-TR2-A • KIT-SD131-TR3-A



**i** The LED units are slidable to any desired position on the track

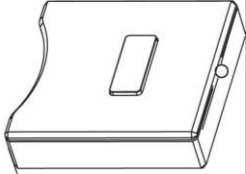


# INSTALLATION INSTRUCTIONS

KIT-SD131-TR2-A • KIT-SD131-TR3-A

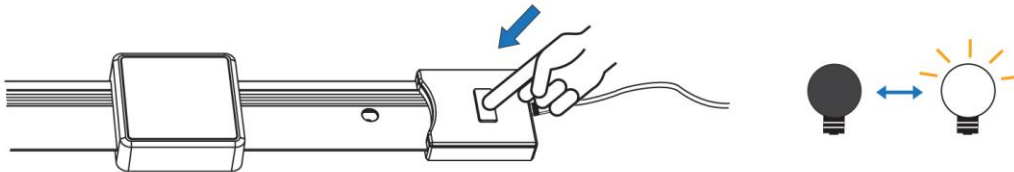


## Dimming

Dimmable Power Feed

<b>Part Number</b>
SD-130-EC-PF-DIM

### Dimming

1. Upon initial plug in, the fixture will turn on at 100% brightness.
2. Pressing the switch for less than 1 second will turn the lamp on and off.  
(The memory function returns the lamp to last brightness setting before shut-off.)



- 3a.** To dim when the fixture is on, press the switch for  $\geq 1$  second. The brightness will gradually decrease down to 10%. When pressing the switch for  $\geq 1$  second again, the brightness will gradually increase up to 100%. Release switch at desired brightness level.
- 3b.** To dim when the fixture is off, pressing the switch for  $\geq 1$  second will turn the lamp on at the last brightness setting before shut-off. The following dimming function refers to step



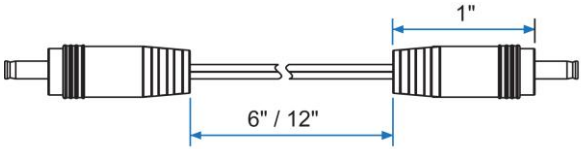
- 4.** Memory function returns light to last brightness setting before shut-off.

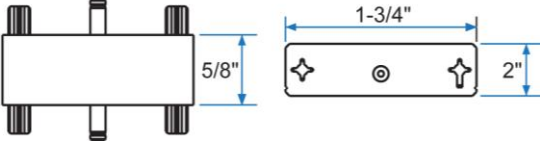
# INSTALLATION INSTRUCTIONS

KIT-SD131-TR2-A • KIT-SD131-TR3-A



Optional : Joining Tracks - requires KIT-SD130-LINK-A

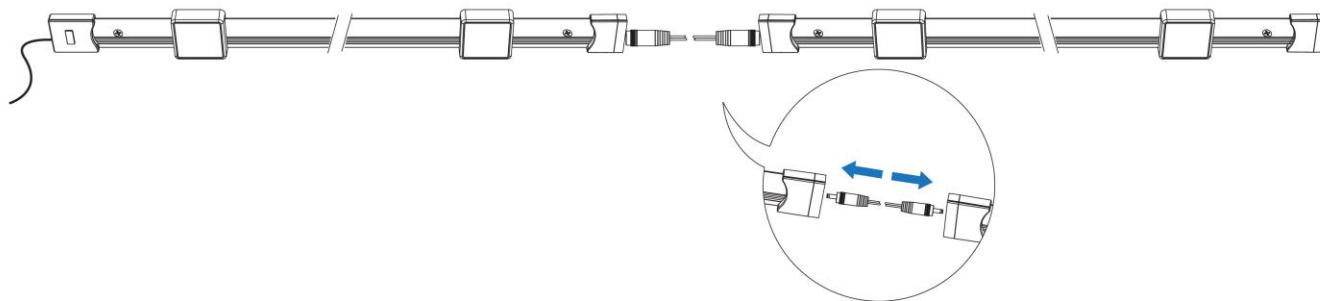
Connecting Cable	
	
Part Number	Length
SD-130-CC-06	6 inches
SD-130-CC-12	12 inches

Direct Connector	
	
Part Number	Length
SD-130-DC	5/8 inches

1. Remove SD-130-EC and replace with SD-130-EC-PF from KIT-SD130-LINK-A.



Max. 11 pcs lamp heads in series



Max. 11 pcs lamp heads in series

