

# RLF-4612

4" FIRE RATED ULTRA-SLIM  
LED RECESSED DOWNLIGHTS



|              |
|--------------|
| Fixture Type |
| Project      |
| Notes        |



5-level CCT Switch (TRIAC)



5-level CCT Switch (0-10V)



JESCO introduces its newest Fire-Rated Downlights. Fixtures are code compliant for use in fire-rated constructions for up to a maximum of 2 hours. Offered in two sizes, 4" and 6" diameters, these downlights feature a very slim regressed profile, measuring just 1.5" in height, and are both IC and Airtight rated, perfect for installation in tight plenums. Traditional bulky housing is not required for Remodel applications. For New Construction, a Universal Mounting Plate with Hanger Bars may be used, sold separately. Fixtures are equipped with a plug-and-play driver housed in a junction box. Fixtures include field-selectable Color Temperature options of 2700K, 3000K, 3500K, 4000K, and a cooler 5000K. High 90+CRI 3-step MacAdam Ellipse single binning LEDs provide excellent color rendition with exceptional color consistency. Dimmable with Triac or 0-10V.

|              |          |               |          |          |            |                  |        |                        |                    |                 |  |
|--------------|----------|---------------|----------|----------|------------|------------------|--------|------------------------|--------------------|-----------------|--|
| 120 -277V AC | DIMMABLE | RECESSED TRIM | IC RATED | AIRTIGHT | FIRE RATED | CUT-OUT 4 1/4" Ø | INDOOR | L70<br>50,000<br>HOURS | 5 YEAR<br>WARRANTY | ETL US Intertek | CALIFORNIA<br>JA8<br>TITLE 24<br>COMPLIANT |
|--------------|----------|---------------|----------|----------|------------|------------------|--------|------------------------|--------------------|-----------------|--|

## SPECIFICATIONS

|                  |                                     |             |
|------------------|-------------------------------------|-------------|
| INPUT VOLTAGE    | 120V AC                             | 120-277V AC |
| DIMMING          | TRIAC                               | 0-10V       |
| WATTAGE          | 12W                                 |             |
| LUMENS           | Up to 900 Lm                        |             |
| EFFICACY         | 67 Lm/W                             |             |
| CCT <sup>1</sup> | 5-level CCT selectable <sup>1</sup> |             |

|                       |                      |
|-----------------------|----------------------|
| CRI                   | 90+                  |
| BEAM ANGLE            | 120°                 |
| CUT-OUT               | 4 1/4" Ø             |
| RATINGS               | IC, Airtight         |
| ENVIRONMENT           | Indoor - Wet         |
| CERTIFICATIONS        | cETLus, Title 24     |
| LUMEN MAINTENANCE     | 50,000 hours         |
| WARRANTY <sup>2</sup> | 5 years <sup>2</sup> |

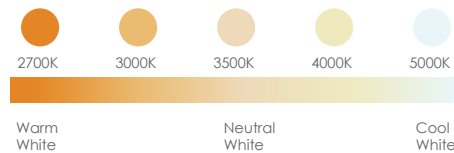
<sup>1</sup> 2700K/3000K/3500K/4000K/5000K Field selectable CCT switch located on power supply box (TRIAC) or in-line switch (0-10V)  
<sup>2</sup> See published warranty terms for detailed information

## PERFORMANCE

SELECTABLE CCT

| COLOR TEMPERATURE                  | LUMEN  | WATTAGE | EFFICACY | CRI |
|------------------------------------|--------|---------|----------|-----|
| SW5 (27/30/35/40/50K) <sup>3</sup> | 900 Lm | 12W     | 67 Lm/W  | 90+ |

<sup>3</sup> Switchable CCT



## ORDERING INFO



**MODEL RATED**  
**RLF-4612**

**FR** - Fire Rated 120V AC  
**FR-UNI** - Fire Rated 120-277V AC

**CCT / CRI**  
**SW5**

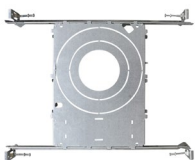
**SW5** - Switchable CCT (27/30/35/40/50K) 90 CRI

**TRIM FINISH**  
**WH**

**WH** - White Trim

**EMERGENCY BATTERY PACK - OPTIONAL\***  
**EM** - Emergency Battery\*

## NEW CONSTRUCTION FRAME (Sold separately)



**MODEL**  
**RLH-346-NC-UNI**

Universal mounting plate with hanger bars.  
(Optional, order separately)

\*Emergency battery pack is only available with 0-10V dimming driver. 0-10V control not required.

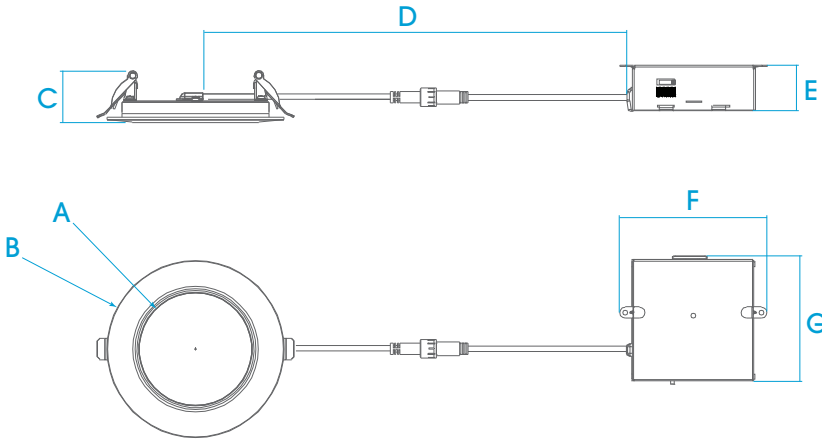
# RLF-4612

4" FIRE RATED ULTRA-SLIM  
LED RECESSED DOWNLIGHTS



|              |
|--------------|
| Fixture Type |
| Project      |
| Notes        |

## TECHNICAL DRAWING



### DIMENSIONS

|                 |          |        |
|-----------------|----------|--------|
| <b>A</b>        | 3"       | 81 mm  |
| <b>B</b>        | 5"       | 127 mm |
| <b>C</b>        | 1 1/2"   | 38 mm  |
| <b>D</b>        | 12"      | 305 mm |
| <b>E</b>        | 1 1/2"   | 33 mm  |
| <b>F</b>        | 4 1/4"   | 106 mm |
| <b>G</b>        | 3 5/8"   | 90 mm  |
| <b>Cut Out:</b> | 4 1/4" Ø |        |