



LIN SERIES

LINEAR LED FIXTURE
SUSPENSION, SURFACE, AND WALL MOUNTING

Type	
Project	
Catalog No.	

INSTALLATION INSTRUCTIONS

Please read and save these instructions. Read carefully before using product. Protect yourself and others by observing all safety information, warnings and cautions. Failure to comply with instructions could result in personal injury and/or damage to product or property. Please retain instruction sheet for future reference.

! IMPORTANT SAFETY INSTRUCTIONS !

All electrical connections must be in accordance with local codes, ordinances and the National Electric Code. If you are unfamiliar with methods of installing electrical wiring, secure the services of a qualified licensed electrician.

1. Read and follow all safety instructions.
2. All electrical connections must be in accordance with local codes, ordinances and the National Electric Code. This product operates on 120-277V AC; always confirm the maximum wattage of the linear fixture does not exceed the maximum wattage of the circuit it is connected to. If you are unfamiliar with methods of installing electrical wiring, secure the services of a qualified licensed electrician.
3. Do not install the linear fixture if any damage is seen on the product or power cables.
4. Prior to starting the installation, disconnect the power by turning off the circuit breaker or removing the appropriate fuse. (Turning off power using the light switch is not sufficient to prevent electrical shock).



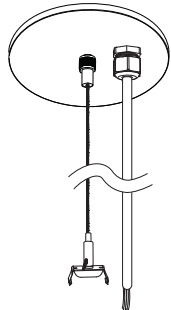
TURN OFF ELECTRICITY

at main fuse box (or circuit breaker box) before beginning installation by switching circuit breaker off or removing fuse.
MIN 90° C SUPPLY CONDUCTORS.



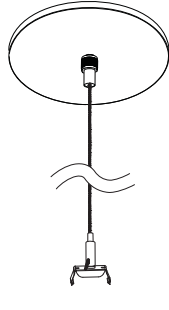
CONSULT A QUALIFIED ELECTRICIAN TO ENSURE CORRECT BRANCH CIRCUIT

RATED 120-277 VOLT AC
MAX CURRENT 5A 120V 600W | 277V 1,385W



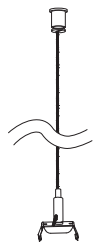
POWER FEED CANOPY
J-BOX REQUIRED

PAGE 3



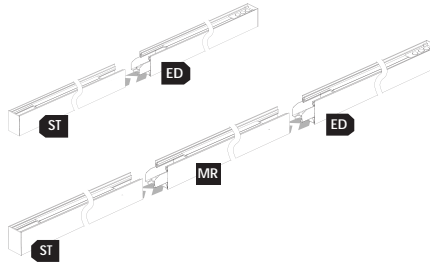
NO FEED CANOPY
J-BOX OR DIRECT CEILING

PAGE 4

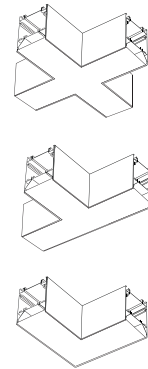


DIRECT CEILING

PAGE 5



PAGE 13

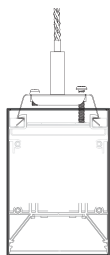


PAGE 15

CEILING MOUNTING INSTALLATIONS

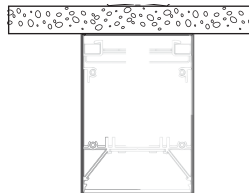
MULTIPLE FIXTURES INSTALLATIONS

LIT CONNECTOR INSTALLATIONS



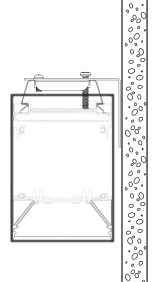
SUSPENSION MOUNTING
INSTALLATIONS

PAGE 6



SURFACE MOUNTING
INSTALLATIONS

DIRECT PAGE 7
T-BAR PAGE 9



WALL MOUNTING
INSTALLATIONS

PAGE 11



www.jescolighting.com
support@jescolighting.com
Tech Support: 855.592.0029

15 Harbor Park Drive
Port Washington, NY 11050
Main Line: 800.527.7796
Fax Line: 855.265.5768

219 South 6th Ave
City of Industry, CA 91746
Main Line: 855.654.0110
Fax Line: 626.333.2955



JW 07/01/2021



LIN SERIES

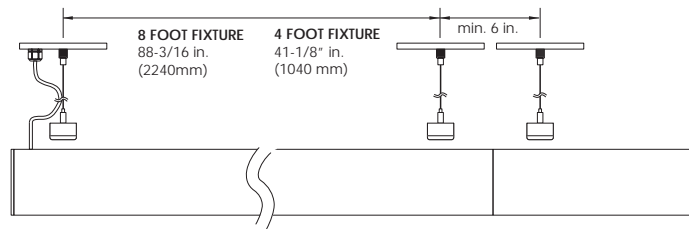
LINEAR LED FIXTURE
SUSPENSION, SURFACE, AND WALL MOUNTING

Type	
Project	
Catalog No.	

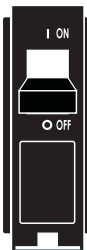
PARTS INCLUDED

	PAGE 3 POWER FEED CANOPY LIN-PD-KIT-PF-(WH/BK)-(8FT/20FT)	PAGE 4 NO FEED CANOPY LIN-PD-KIT-NF-(WH/BK)-(8FT/20FT)	PAGE 5 DIRECT TO CEILING LIN-PD-KIT-DC-(8FT/20FT)
MOUNTING BRACKET TO J-BOX			×
MOUNTING HARDWARE	J-BOX MOUNTING BRACKET WITH GROUND WIRE J-BOX MOUNTING SCREWS (8-32)	J-BOX MOUNTING BRACKET J-BOX MOUNTING SCREWS (8-32) TOGGLE BOLTS	TOGGLE BOLT
CANOPY	 POWER FEED CANOPY WITH CORD GRIP	 NO FEED CANOPY	×
AIRCRAFT CABLE SET	 AIRCRAFT CABLE AIRCRAFT CABLE GRIPPER FIXTURE CLIP	 AIRCRAFT CABLE AIRCRAFT CABLE GRIPPER FIXTURE CLIP	 AIRCRAFT CABLE AIRCRAFT CABLE GRIPPER FIXTURE CLIP
WIRE NUTS		×	×
5 WIRE CABLE		×	×

Recommended distant for canopy installation



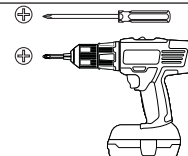
BEFORE PROCEEDING TO NEXT PAGE



TURN OFF ELECTRICITY
at main fuse box (or circuit breaker box) before beginning installation by switching circuit breaker off or removing fuse.
MIN 90° C SUPPLY CONDUCTORS.



CONSULT A QUALIFIED ELECTRICIAN TO ENSURE CORRECT BRANCH CIRCUIT
RATED 120-277 VOLT AC

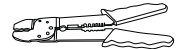


PHILLIPS SCREWDRIVER

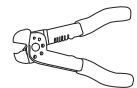


MEASURING TAPE

TOOLS REQUIRED



WIRE STRIPPER



CABLE CUTTER

JESCO

LIGHTING GROUP

www.jescolighting.com
support@jescolighting.com
Tech Support: 855.592.0029

15 Harbor Park Drive
Port Washington, NY 11050
Main Line: 800.527.7796
Fax Line: 855.265.5768

219 South 6th Ave
City of Industry, CA 91746
Main Line: 855.654.0110
Fax Line: 626.333.2955



JW 07/01/2021

Instruction sheet subject to change without prior notice.

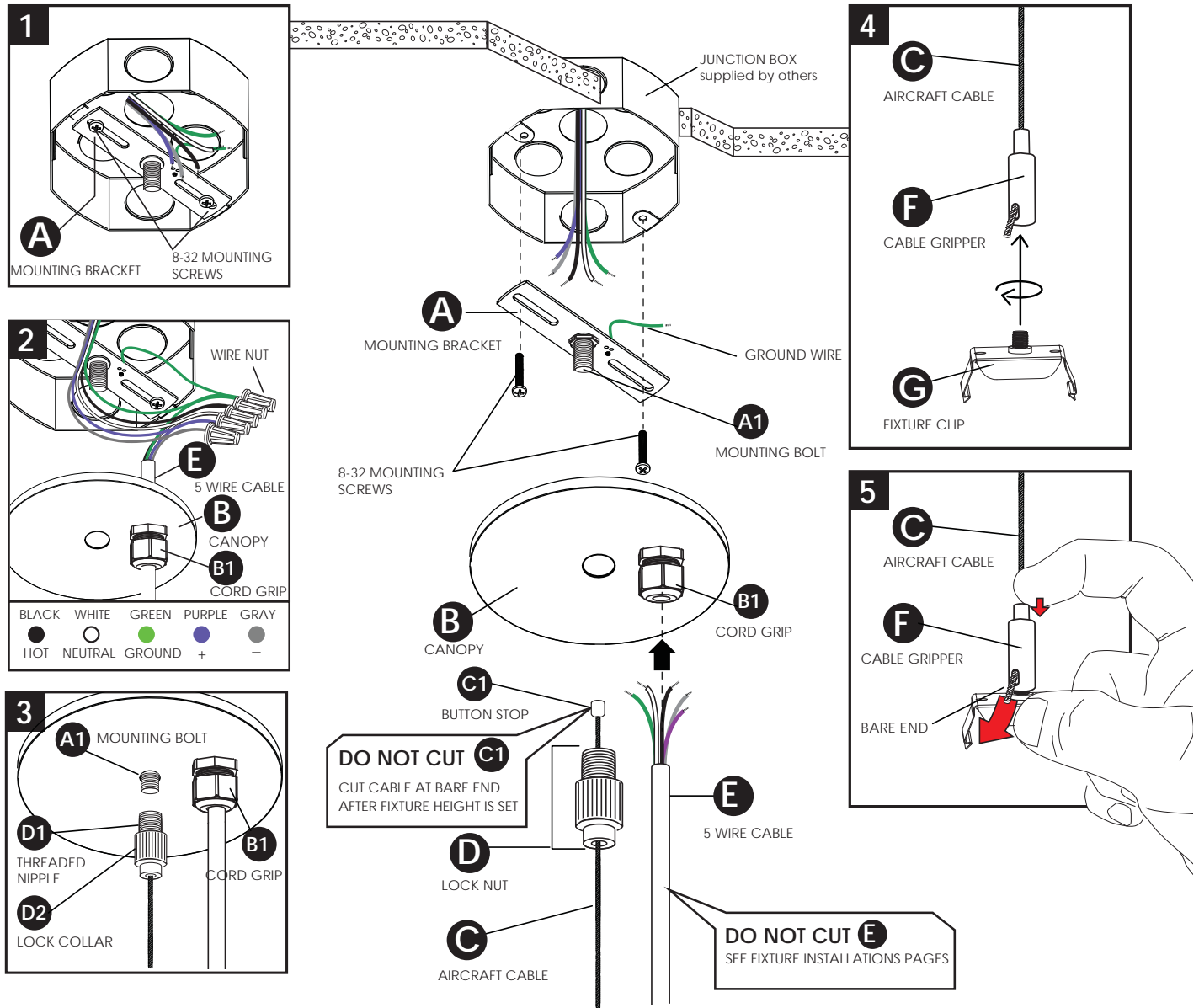


LIN SERIES

LINEAR LED FIXTURE
SUSPENSION, SURFACE, AND WALL MOUNTING

Type	
Project	
Catalog No.	

POWER FEED CANOPY INSTALLATION INSTRUCTIONS



- Secure **A** mounting bracket to junction box with two 8-32 mounting screws.
- Feed **E** 5 wire cable through **B1** cord grip on **B** canopy, connect supply wires to **E** 5 wire cable matching color of the wires. Secure all connections with wire nuts. Lock **E** 5 wire cable in place with cord grip.
- Carefully tuck all connected wires inside of junction box, bring canopy up and over **A1** mounting bolt. Secure **D1** threaded nipple onto **A1** mounting bolt, then screw on **D2** lock collar up against **B** canopy.
- Screw on **G** fixture clip onto **F** aircraft cable gripper.
- Adjust **C** aircraft cable length by pushing down on **F** cable gripper's spring loaded mechanism and then pull bare end of **C** aircraft cable through **F** cable gripper's exit hole.

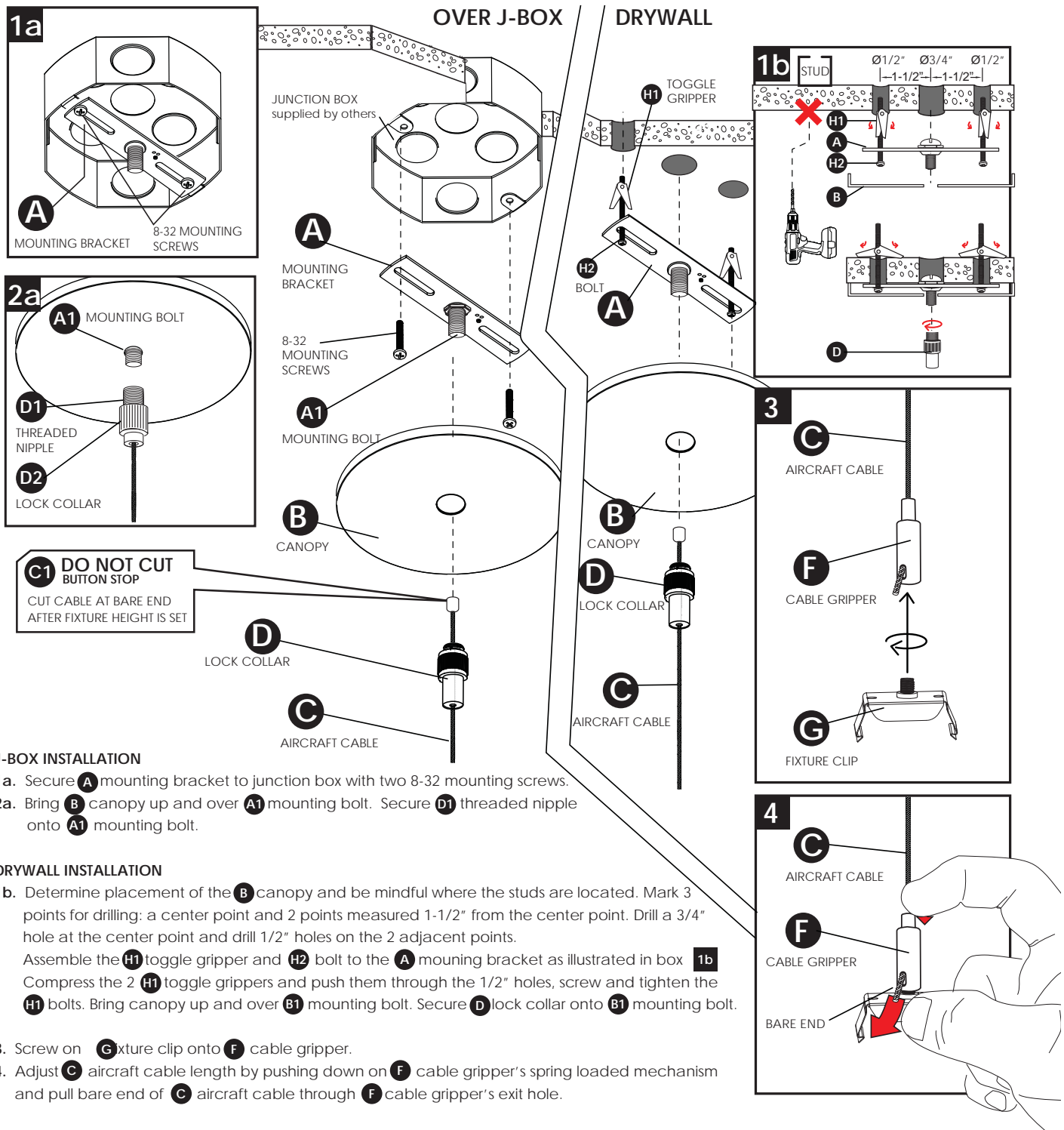


LIN SERIES

LINEAR LED FIXTURE
SUSPENSION, SURFACE, AND WALL MOUNTING

Type	
Project	
Catalog No.	

NO FEED CANOPY-OVER J-BOX OR DRYWALL INSTALLATIONS



ON CONNECTED RUN, CANOPIES NEED TO BE SPACED A MINIMUM OF 6 INCHES APART ON CENTER



www.jescocolighting.com
support@jescocolighting.com
Tech Support: 855.592.0029

15 Harbor Park Drive
Port Washington, NY 11050
Main Line: 800.527.7796
Fax Line: 855.265.5768

219 South 6th Ave
City of Industry, CA 91746
Main Line: 855.654.0110
Fax Line: 626.333.2955



JW 07/01/2021

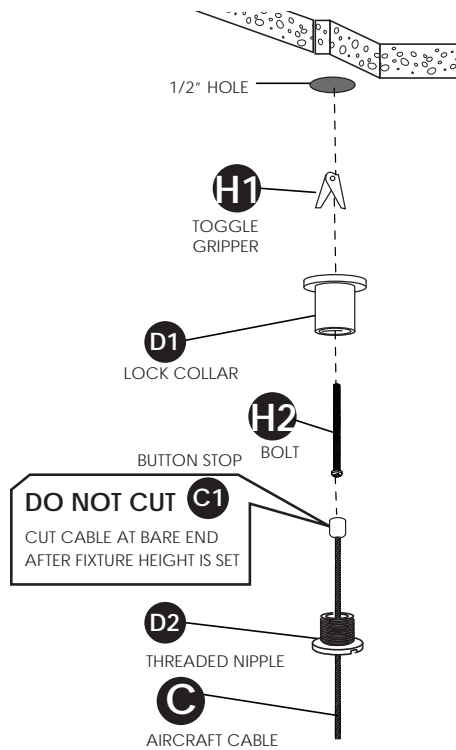
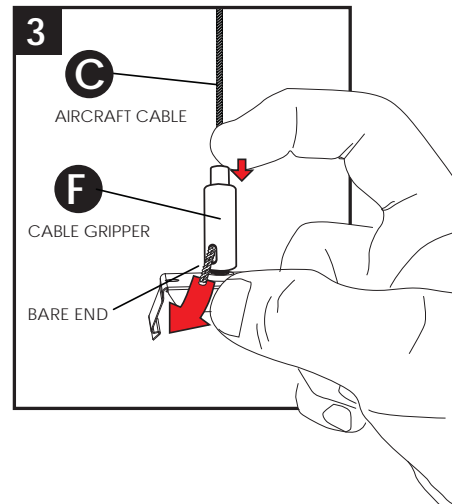
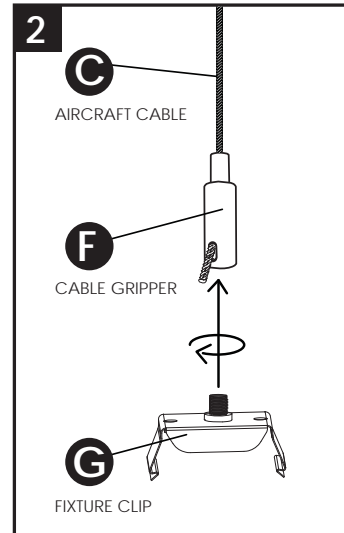
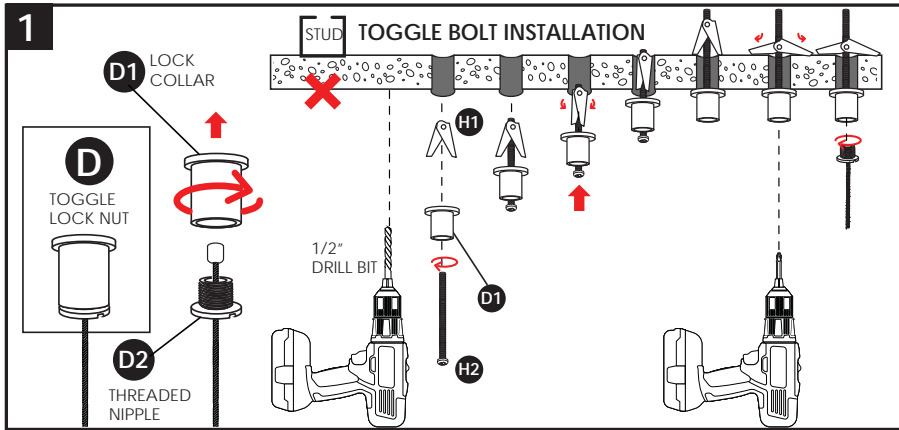


LIN SERIES

LINEAR LED FIXTURE
SUSPENSION, SURFACE, AND WALL MOUNTING

Type	
Project	
Catalog No.	

DIRECT TO CEILING INSTALLATION



1. Reference **TOGGLE BOLT INSTALLATION** diagram above.
2. Screw on **G** fixture clip onto **F** cable gripper.
3. Adjust **C** aircraft cable length by pushing down on **F** cable gripper's spring loaded mechanism and pulling bare end of **C** aircraft cable through **F** cable gripper's exit hole.

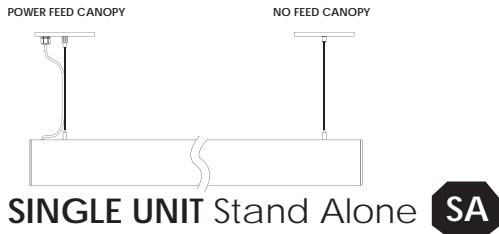


LIN SERIES

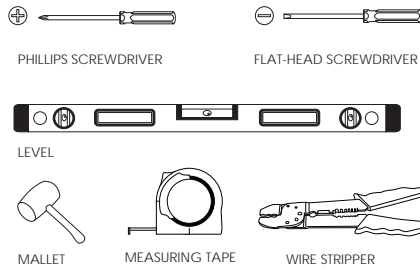
LINEAR LED FIXTURE
SUSPENSION, SURFACE, AND WALL MOUNTING

Type	
Project	
Catalog No.	

SUSPENSION MOUNT INSTALLATION INSTRUCTIONS (STAND ALONE UNIT)



TOOLS REQUIRED



May require teamwork and working on ladders

1

SA

Lay fixture on a padded surface before assembly

Identify the Female (F) and Male (M) ends - marked with labels on the knockout plates.

2

SA

Undo screws to remove endcap from the female side of the linear fixture, followed by removal of the knockout plate. Use mallet and a flat-head screwdriver to punch one of the 3/4" knockouts from knockout plate. Save the endcap, knockout plate, and screws for later use.

See page 13 for multiple fixtures installation
See page 15 for Lit Connector installation

3

SA

Lift linear fixture up to already installed suspension cables. Snap fixture mounting clips onto linear fixture.

N.B. - The open Female side is to be lined up with the suspension cable that includes the power feed.

4a

SA

USING THE FULL LENGTH 5 WIRE CABLE

Feed the 5 wire cable through the supplied wire bushing then through the knockout plate with pre-punched hole. Install the wire bushing into the knockout hole. Push in each of the 5 lead wires into the female quick connector. Use the pre-connected wires as a guide to match up the color wires. (see color coding example above)



www.jescolighting.com
support@jescolighting.com
Tech Support: 855.592.0029

15 Harbor Park Drive
Port Washington, NY 11050
Main Line: 800.527.7796
Fax Line: 855.265.5768

219 South 6th Ave
City of Industry, CA 91746
Main Line: 855.654.0110
Fax Line: 626.333.2955



JW 07/01/2021

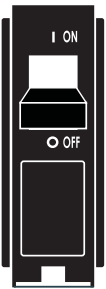


LIN SERIES

LINEAR LED FIXTURE
SUSPENSION, SURFACE, AND WALL MOUNTING

Type	
Project	
Catalog No.	

SURFACE MOUNT INSTALLATION INSTRUCTIONS (STAND ALONE UNIT)

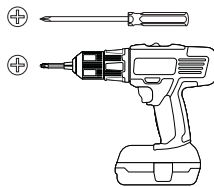


TURN OFF ELECTRICITY
at main fuse box (or circuit breaker box) before beginning installation by switching circuit breaker off or removing fuse.
MIN 90° C SUPPLY CONDUCTORS.

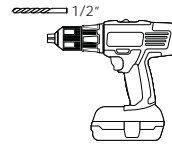
CONSULT A QUALIFIED ELECTRICIAN TO ENSURE CORRECT BRANCH CIRCUIT
RATED 120-277 VOLT AC

Requires LIN-SM-KIT-PF-[WH/BK]
Power Feed Surface Mounting Kit

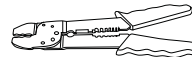
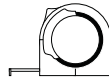
TOOLS REQUIRED



PHILLIPS SCREWDRIVER



1/2" DRILL BIT



PARTS INCLUDED

MOUNTING HARDWARE

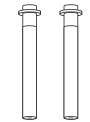


TOGGLE BOLTS

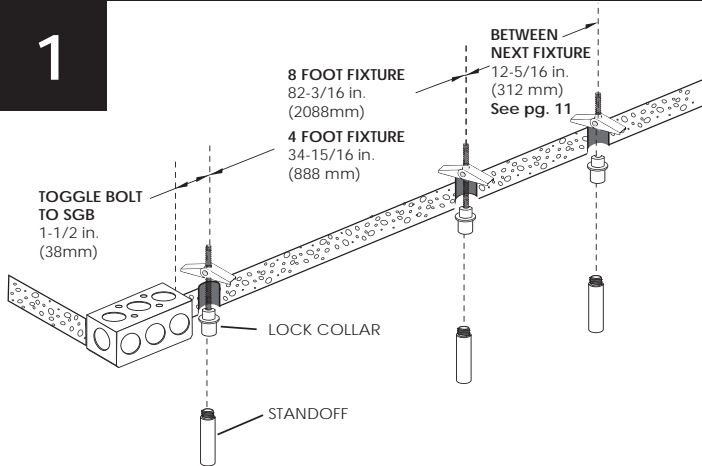


STANDOFF MOUNTING SCREWS

MOUNTING STANDOFF

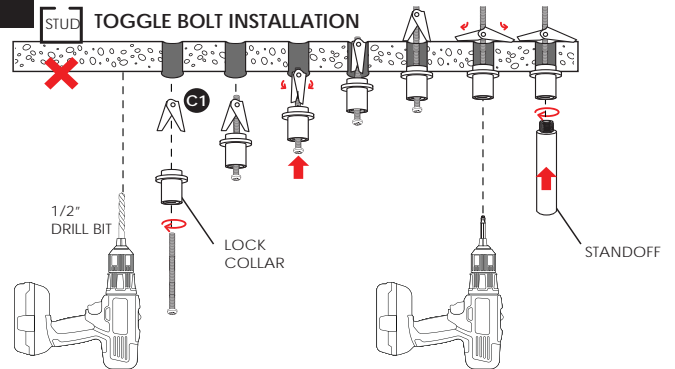


1



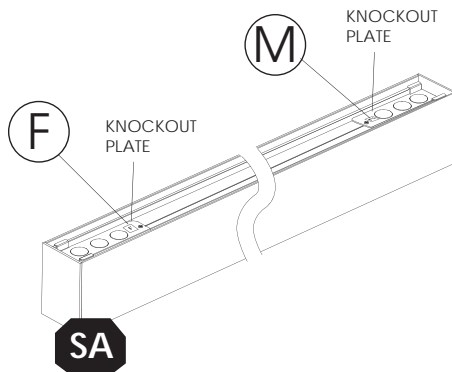
Determine lock collar install location based on fixture length.
N.B.- SGB single gang box

2



Reference TOGGLE BOLT INSTALLATION diagram above to install lock collar and standoff.

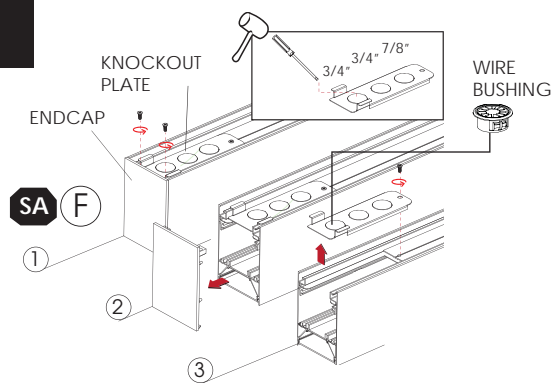
3



Lay fixture on a padded surface before assembly

Identify the Female (F) and Male (M) ends - marked with labels on the knockout plates.

4



Undo screws to remove endcap from the female side of the linear fixture, followed by removing the knockout plate. Use mallet and a flat-head screwdriver to punch one of the 3/4" knockouts from knockout plate. Install the included wire bushing, then reattach the knockout plate. Save the endcap and screws for later use.

See page 13 for multiple fixtures installation
See page 15 for Lit Connector installation

JESCO
LIGHTING GROUP

www.jescolighting.com
support@jescolighting.com
Tech Support: 855.592.0029

15 Harbor Park Drive
Port Washington, NY 11050
Main Line: 800.527.7796
Fax Line: 855.265.5768

219 South 6th Ave
City of Industry, CA 91746
Main Line: 855.654.0110
Fax Line: 626.333.2955



JW 07/01/2021

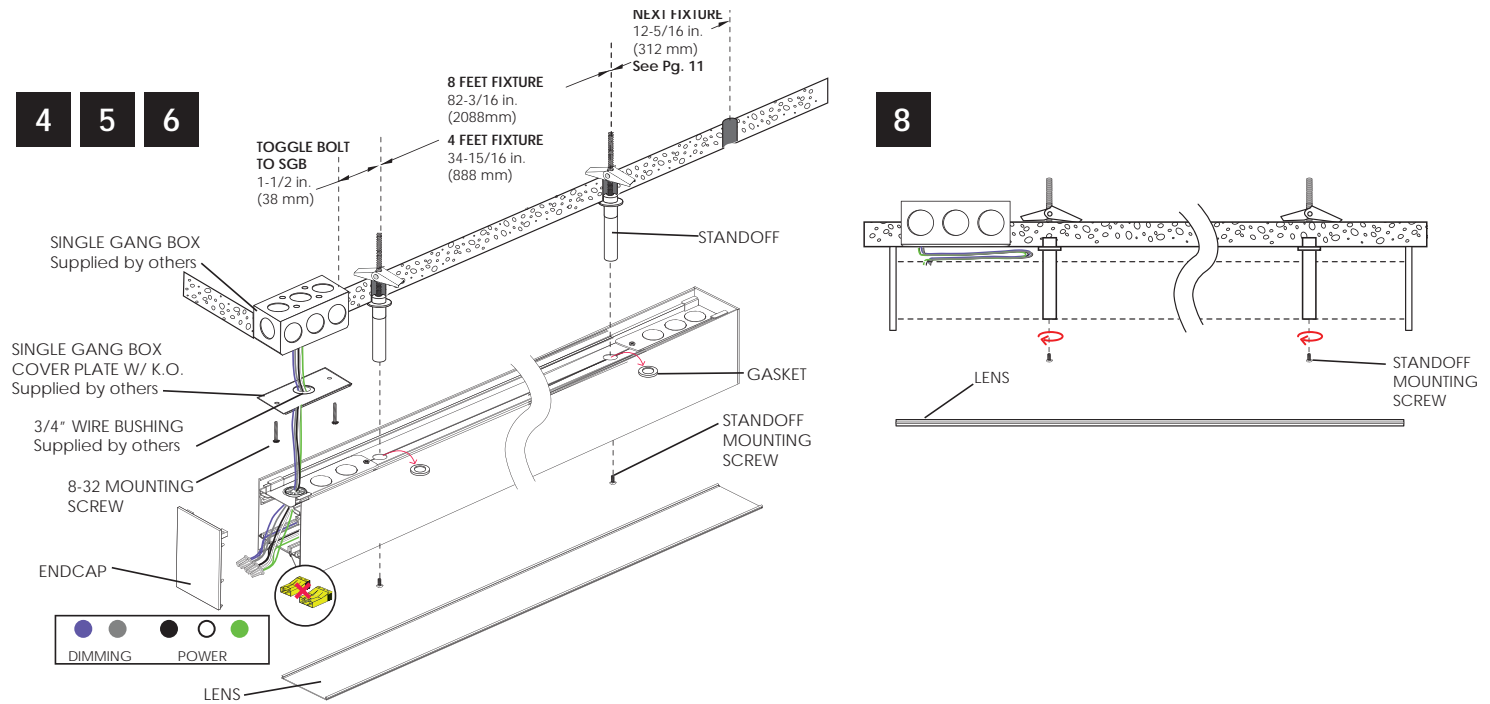


LIN SERIES

LINEAR LED FIXTURE
SUSPENSION, SURFACE, AND WALL MOUNTING

Type	
Project	
Catalog No.	

SURFACE MOUNT INSTALLATION INSTRUCTIONS (STAND ALONE UNIT)



5

Cut off quick connector and strip the ends of each wire. Next, remove gaskets on back of the linear fixture. Then carefully remove the lens on the front exposing the LED board.

6

Punch out the knockout on single gang box cover plate, install 3/4" wire bushing in the knockout hole. Feed supply wires through knockout hole in single gang cover plate. Attach cover plate onto single gang box with 8-32 screws.

7

Lift the linear fixture with its open female ends below the single gang box. Feed supply wires into the knockout hole on knockout plate, measure and cut supply wire to required length and strip the ends of each wire. Match up color of wires and connect them with wire nuts. (see color coding example above) Carefully tuck all the wires inside of fixture and install endcap.



May require teamwork and working on ladders

8

Carefully lay slack wires in open space in the groove of the back of linear fixture. Match and insert standoffs to the holes on back of linear fixture. Secure mounting standoffs with screws through the bottom of the linear fixture. Carefully reinstall the lens.



LIN SERIES

LINEAR LED FIXTURE
SUSPENSION, SURFACE, AND WALL MOUNTING

Type	
Project	
Catalog No.	

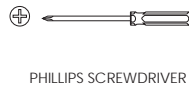
T-BAR SURFACE MOUNT INSTALLATION INSTRUCTIONS (STAND ALONE UNIT)



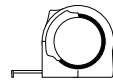
⚡ TURN OFF ELECTRICITY
at main fuse box (or circuit breaker box) before beginning installation by switching circuit breaker off or removing fuse.
MIN 90° C SUPPLY CONDUCTORS.

! CONSULT A QUALIFIED ELECTRICIAN TO ENSURE CORRECT BRANCH CIRCUIT RATED 120-277 VOLT AC

TOOLS REQUIRED



PHILLIPS SCREWDRIVER



MEASURING TAPE



WIRE STRIPPER

PARTS INCLUDED



T-BAR CLIP WITH MOUNTING STANDOFF



STANDOFF MOUNTING SCREWS

1

8 FEET FIXTURE
82-3/16 in.
(2088mm)

4 FEET FIXTURE
34-15/16 in.
(888 mm)

15/16 T-BAR

T-BAR CLIP WITH MOUNTING STANDOFF

Determine T-BAR clip with mounting standoff with install location based on fixture length.

2

F

M

KNOCKOUT PLATE

SA

Lay fixture on a padded surface before assembly

Identify the Female (F) and Male (M) ends - marked with labels on the knockout plates.

3

KNOCKOUT PLATE

ENDCAP

WIRE BUSHING

SA F

1

2

3

Undo screws to remove endcap from the female side of the linear fixture, followed by removing of the knockout plate. Use mallet and a flat-head screwdriver to punch one of the 3/4" knockouts from knockout plate. Install the included wire bushing, then reattach the knockout plate. Save the endcap and screws for later use.

See page 13 for multiple fixtures installation
See page 15 for Lit Connector installation



www.jescocolighting.com
support@jescocolighting.com
Tech Support: 855.592.0029

15 Harbor Park Drive
Port Washington, NY 11050
Main Line: 800.527.7796
Fax Line: 855.265.5768

219 South 6th Ave
City of Industry, CA 91746
Main Line: 855.654.0110
Fax Line: 626.333.2955



JW 07/01/2021

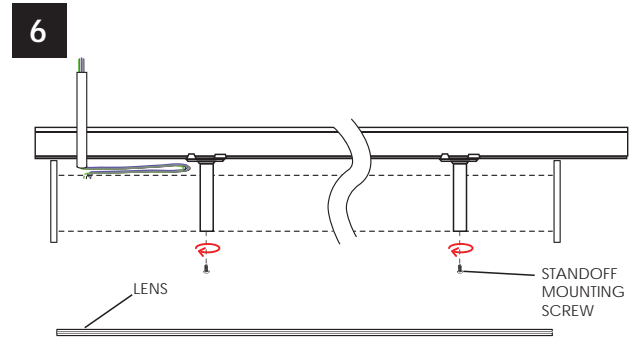
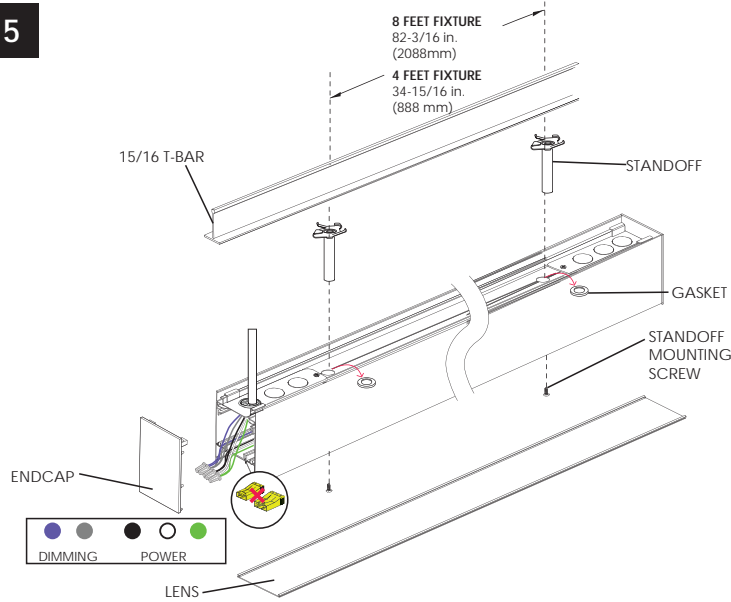


LIN SERIES

LINEAR LED FIXTURE
SUSPENSION, SURFACE, AND WALL MOUNTING

Type	
Project	
Catalog No.	

T-BAR SURFACE MOUNT INSTALLATION INSTRUCTIONS (STAND ALONE UNIT)



May require teamwork and working on ladders

5

Cut off quick connector and strip the ends of each wire. Next, remove gaskets on back of the linear fixture. Then carefully remove the lens on the front exposing the LED board.

Measure and cut supply wire to required length and strip the ends of each wire. Match up color of wires and connect them with wire nuts. (see color coding example above) Carefully tuck all the wires inside of fixture and install endcap.

6

Carefully lay slack wires in open space in the groove of the back of linear fixture. Match and insert standoffs to the holes on back of linear fixture. Secure mounting standoffs with screws through the bottom of the linear fixture. Carefully reinstall the lens.

May require modifications to ceiling tile or T-bar to pass through supply wires.

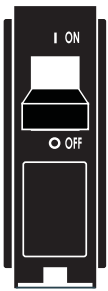


LIN SERIES

LINEAR LED FIXTURE
SUSPENSION, SURFACE, AND WALL MOUNTING

Type	
Project	
Catalog No.	

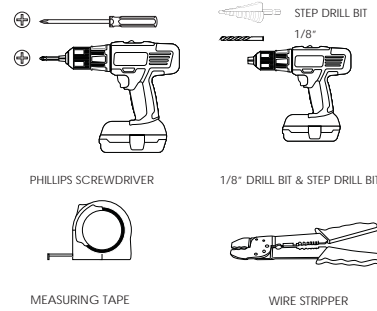
WALL MOUNT INSTALLATION INSTRUCTIONS (STAND ALONE UNIT)



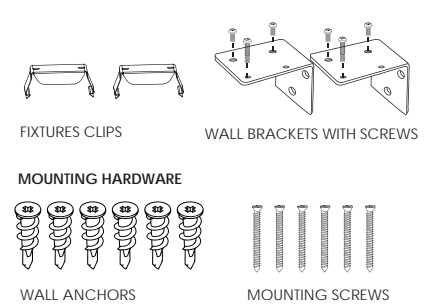
TURN OFF ELECTRICITY
at main fuse box (or circuit breaker box) before beginning installation by switching circuit breaker off or removing fuse.
MIN 90° C SUPPLY CONDUCTORS.

CONSULT A QUALIFIED ELECTRICIAN TO ENSURE CORRECT BRANCH CIRCUIT RATED 120-277 VOLT AC

TOOLS REQUIRED



PARTS INCLUDED



1

Use above illustration as a guide and determine where to drill a 1/2" exit hole into the side of fixture to feed 5 wire cable. The internal power supply is about 12 inches long and installed 7 inches away from the female side endcap. Carefully drill a pilot hole with 1/8" drill bit, then use a step drill bit to enlarge the hole to 1/2". Install a 1/2" grommet in the hole.
N.B. SGB- single gang box

2

Feed 5 wire cable through the installer-drilled hole on the female quick connector. Using the pre-connected wires as a guide to match up the color wires. (see color coding example above) Carefully tuck all the wires inside of linear fixture and reattach the endcap.

3

Use wall brackets as a template and mark 3 mounting holes on wall. Drive wall anchors in the marked spots, then secure wall brackets with mounting screws. Attach fixture clips onto wall brackets with bracket screws.

Work as a team, lift linear fixture to pre-installed wall brackets.

Punch knockout from SGB cover plate, then install a 3/4" grommet in punched hole. Feed 5 wire cable exiting side of linear fixture into the SGB cover plate, match up color of supply wires and fixture wires, connect them with wire nuts. (see color coding example above) Carefully tuck connected wires inside of SGB, then attach SGB coverplate. Push slack cable inside of linear fixture and snap fixture mounting clips onto linear fixture. Install mounting clips screws onto wall brackets locking the linear fixture in place



LIN SERIES

LINEAR LED FIXTURE
SUSPENSION, SURFACE, AND WALL MOUNTING

Type	
Project	
Catalog No.	

SUSPENSION MOUNT INSTALLATION INSTRUCTIONS (STAND ALONE UNIT)

4b

5 WIRE CABLE REQUIRED SHORTENING
Feed the 5 wire cable through the supplied wire bushing then through the knockout plate with pre-punched hole. Install the wire bushing into the knockout hole. Measure and cut 5 wire cable to desired length, strip ends of each wire. Cut off quick connector, strip ends of each wire. Match up color of wires and connect them with wire nuts. (see color coding example above)

N.B.- prior to cutting to desired length, remember to leave slack in the power cable which is not to be weight bearing

5

Carefully tuck all the wires inside the linear fixture. Reattach the knockout plate, followed by the endcap.

N.B.- 5 wire cable is not weight bearing and should be slack

6

Level the linear fixture by adjusting the aircraft cable on the cable gripper using a measuring level as a guide.

7

Once the fixture is leveled, secure the fixture clips in its horizontal location with the screw provided and cut the excess cable exiting the cable gripper.

8

Use color matching zip ties to tie 5 wire cable slack to aircraft cable. Narrow zip ties recommended, not included.

8

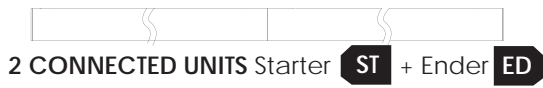


LIN SERIES

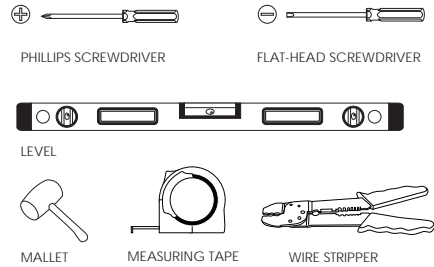
LINEAR LED FIXTURE
SUSPENSION, SURFACE, AND WALL MOUNTING

Type	
Project	
Catalog No.	

INSTALLING MULTIPLE CONNECTED FIXTURES



TOOLS REQUIRED



May require teamwork and working on ladders



TURN OFF ELECTRICITY

at main fuse box (or circuit breaker box) before beginning installation by switching circuit breaker off or removing fuse. MIN 90° C SUPPLY CONDUCTORS.



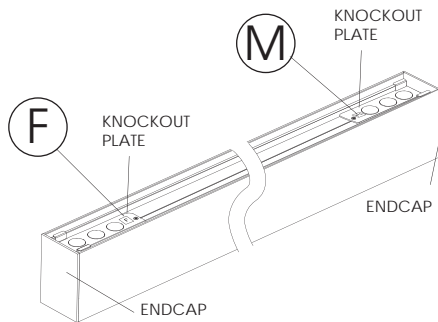
Each connected run can have multiple **MR** Mid-Run fixtures, but can only have one **ST** Starter fixture and one **ED** Ender.

Maximum connected fixtures allowed electrically based on system wattage.

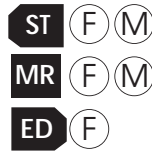
MAX SYSTEMWATTAGE:

120V 600W | 277V 1,385W

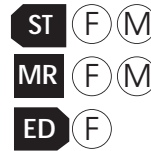
1



2 CONNECTED FIXTURES



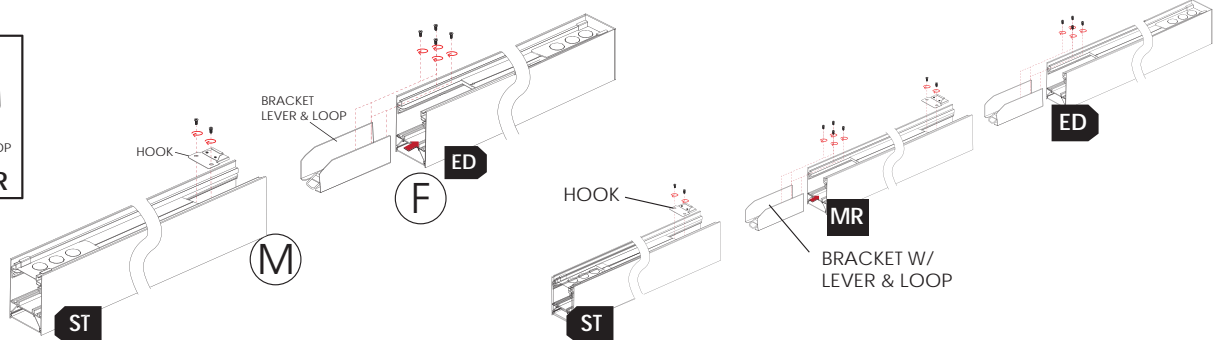
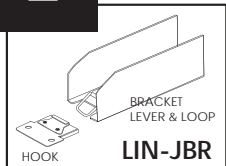
3+ CONNECTED FIXTURES



Reference **SA** fixture from single unit installation for **ST** starter fixture female side endcap and knockout plate disassembly.

Follow above chart for required removal of endcaps. Remove knockout plates where endcaps are removed.

2



2 CONNECTED FIXTURES

Attach LIN-JBR hook onto **ST** male side into pre-threaded holes with provided screws.

Slide in LIN-JBR bracket with lever & loop into **ED** female side, attaching it into the pre-threaded holes with provided screws.

3+ CONNECTED FIXTURES

Attach LIN-JBR's hook onto **ST** and **MR** fixture male side matching pre-threaded holes with provided screws.

Slide in LIN-JBR bracket with lever & loop onto **MR** and **ED** female side, attaching it into the pre-threaded holes with provided screws.

JESCO

LIGHTING GROUP

www.jescocolighting.com
support@jescocolighting.com
Tech Support: 855.592.0029

15 Harbor Park Drive
Port Washington, NY 11050
Main Line: 800.527.7796
Fax Line: 855.265.5768

219 South 6th Ave
City of Industry, CA 91746
Main Line: 855.654.0110
Fax Line: 626.333.2955



JW 07/01/2021



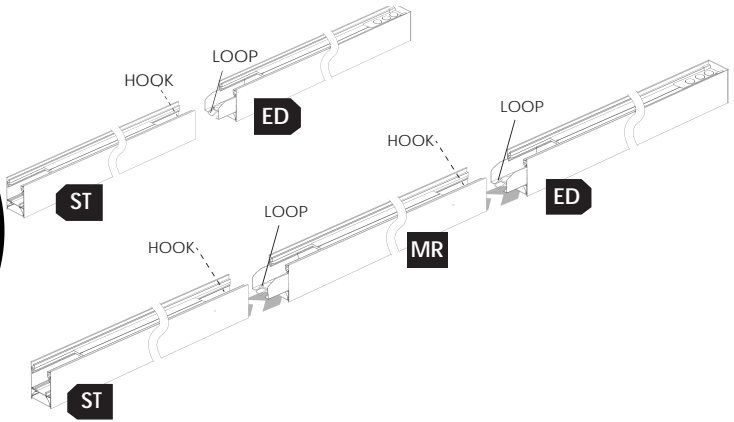
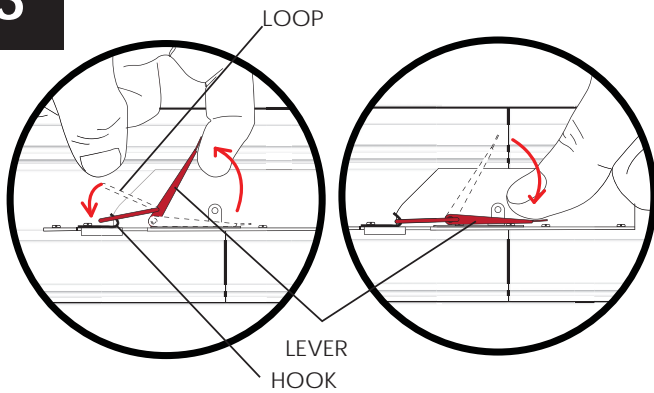
LIN SERIES

LINEAR LED FIXTURE
SUSPENSION, SURFACE, AND WALL MOUNTING

Type	
Project	
Catalog No.	

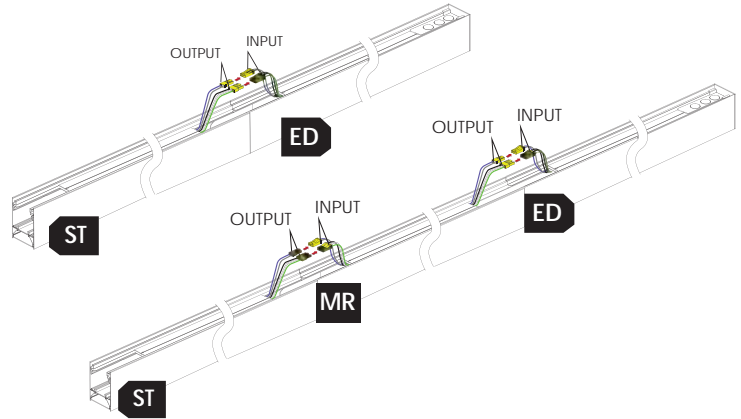
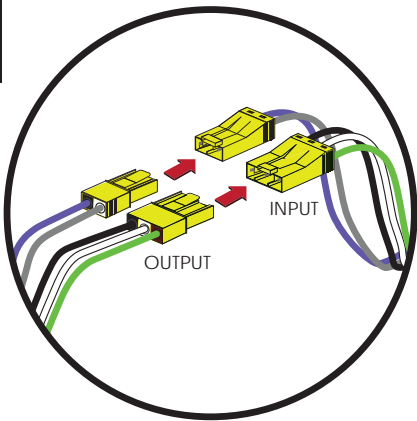
INSTALLING MULTIPLE CONNECTED FIXTURES

3



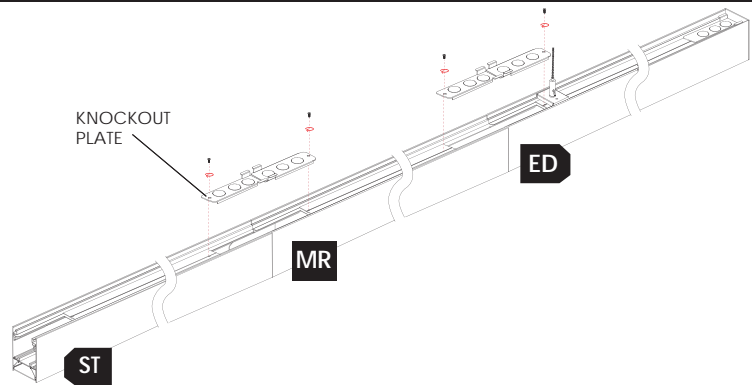
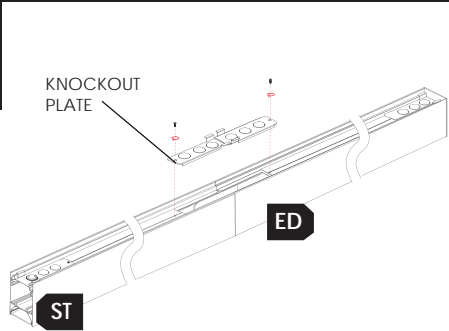
Slide fixtures installed with LIN-JBR bracket into fixtures installed with LIN-JBR hook, one at a time. On each connected section, lift lever from LIN-JBR bracket to bring loop over to installed LIN-JBR hook then press down on LIN-JBR lever to lock loop in place.

4



Connect all fixture output connectors to the adjacent fixture input connector.

5



Carefully tuck all the wires and connectors inside of fixtures. Reattach all the knockout plates.



www.jescolighting.com
support@jescolighting.com
Tech Support: 855.592.0029

15 Harbor Park Drive
Port Washington, NY 11050
Main Line: 800.527.7796
Fax Line: 855.265.5768

219 South 6th Ave
City of Industry, CA 91746
Main Line: 855.654.0110
Fax Line: 626.333.2955



JW 07/01/2021

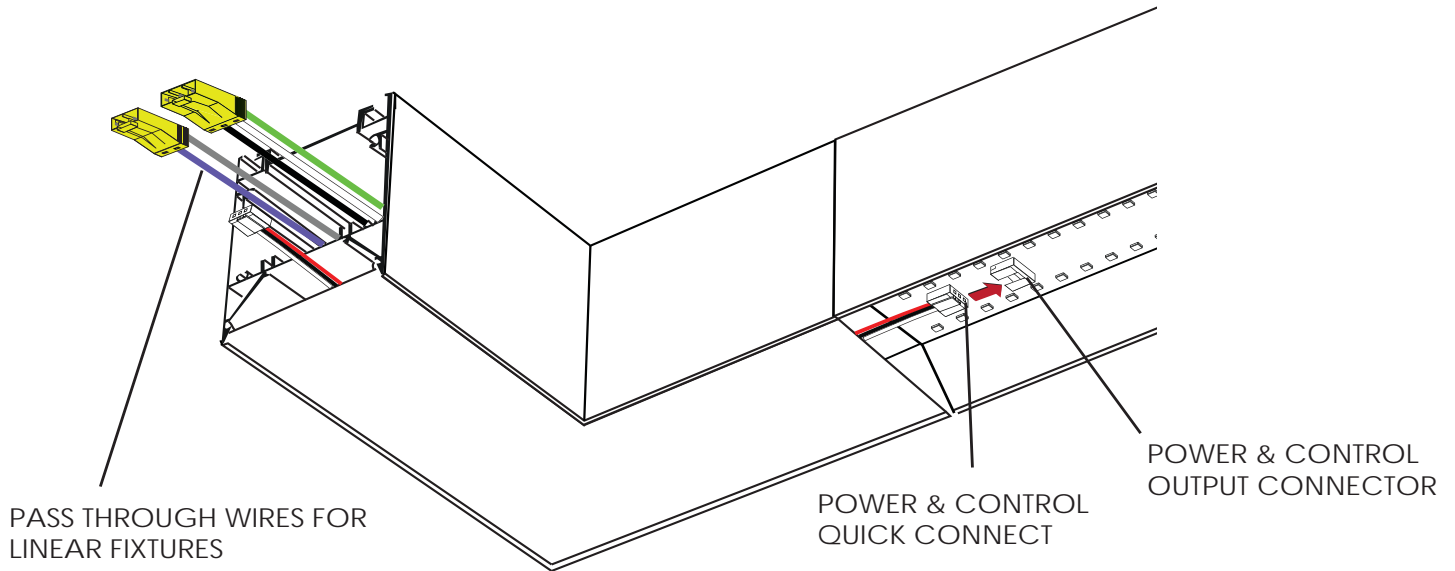


LIN SERIES

LINEAR LED FIXTURE
SUSPENSION, SURFACE, AND WALL MOUNTING

Type	
Project	
Catalog No.	

LIT CONNECTOR INSTALLATION INSTRUCTIONS



TURN OFF ELECTRICITY
at main fuse box (or circuit breaker box) before beginning installation by switching circuit breaker off or removing fuse.
MIN 90° C SUPPLY CONDUCTORS.



CONSULT A QUALIFIED ELECTRICIAN TO ENSURE CORRECT BRANCH CIRCUIT
RATED 120-277 VOLT AC

FOLLOW INSTRUCTIONS ON PAGE 13 STEP 2,3,4 and 5

to secure lit connector to linear fixtures electrically and mechanically.

The pass through wire harness can be taken out and relocate to match the polarity of connected linear fixtures.

Remove the lens on the linear fixture.

Connect lit connector's POWER & CONTROL QUICK CONNECT to linear fixture's POWER & CONTROL CONNECTOR.

Carefully replace the lens onto the linear fixture