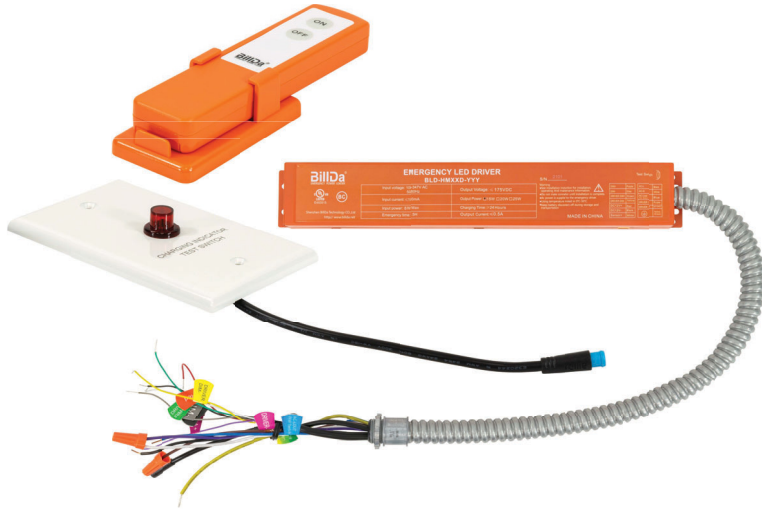


# EM-LIN

EMERGENCY BATTERY BACK UP  
15W ADAPTIVE CONSTANT OUTPUT POWER



Fixture Type
Project
Notes



Universal input 100-347V AC  
 Constant output power  
 Listed for factory and field installation - UL924 & CSA22.2  
 NO.141 Battery protection

- Over temperature
- Over charge
- Over discharge
- Shortcircuit

Works with AC/DC sensor  
 Self testing monthly/yearly  
 Meet CEC Title 20 standards



## SPECIFICATIONS

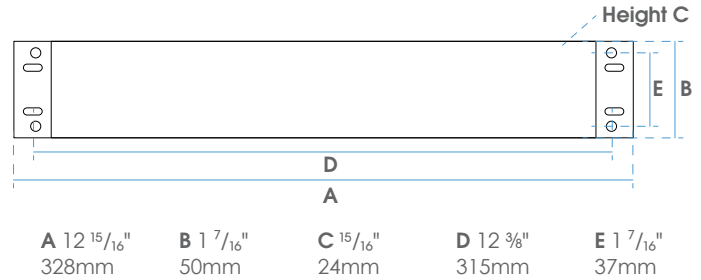
<b>INPUT VOLTAGE<sup>1</sup></b>	Universal 100-347 AC <sup>1</sup>
<b>INPUT POWER</b>	8 Watt 100 mA Max
<b>OUTPUT CURRENT</b>	320-600mA
<b>OUTPUT VOLTAGE</b>	≤ 175V DC
<b>OUTPUT POWER<sup>2</sup></b>	15W <sup>2</sup>
<b>ADAPTIVE POWER<sup>2</sup></b>	3.5W - 100W <sup>2</sup>
<b>BATTERY TYPE</b>	Lithium
<b>RUN TIME<sup>2</sup></b>	≤ 90 mins.
<b>RECHARGE TIME</b>	≥ 24 hrs.
<b>WEIGHT</b>	3.2 lbs.
<b>ENVIRONMENT</b>	Indoor Dry IP20
<b>AMBIENT TEMP.</b>	32°F to 122°F (0°C to 50°C)
<b>CERTIFICATIONS</b>	cULus
<b>WARRANTY<sup>3</sup></b>	5 years

<sup>1</sup> Works with fixtures that operate on 120-277V AC.  
<sup>2</sup> Fixtures over 15 watts and up to 100W will be dimmed down to provide 90 minutes run time.  
<sup>3</sup> See published warranty terms for detailed information.

## ORDERING INFORMATION

SERIES	OPTIONAL T-BAR MOUNTING BRACKET
EM-LIN	EM-LIN-BR

## DIMENSIONS



## WIRING METHODS

### TYPICAL FOR P22 FIXTURES

- Single load <15W on/off non-dimming - [SEE PAGE 2](#)
- Multiple loads <15W on/off non-dimming - [SEE PAGE 3](#)
- Single load <15W 0-10V dimming - [SEE PAGE 4](#)
- Multiple loads <15W 0-10V dimming - [SEE PAGE 5](#)

### TYPICAL FOR LIN/LINSL FIXTURES

- Single load >15W on/off non-dimming - [SEE PAGE 6](#)
- Multiple loads >15W on/off non-dimming - [SEE PAGE 7](#)
- Single load >15W 0-10V dimming - [SEE PAGE 8](#)
- Multiple loads >15W 0-10V dimming - [SEE PAGE 9](#)

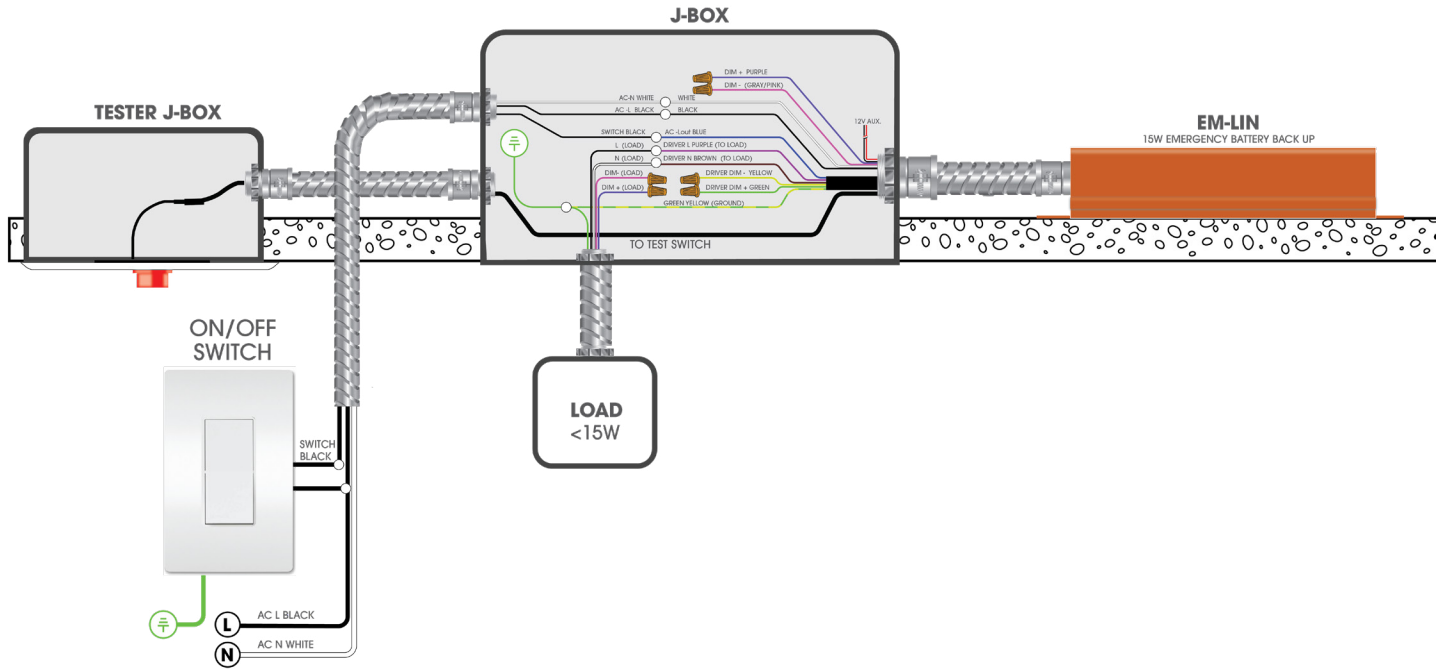
# EM-LIN

EMERGENCY BATTERY BACK UP  
15W ADAPTIVE CONSTANT OUTPUT POWER

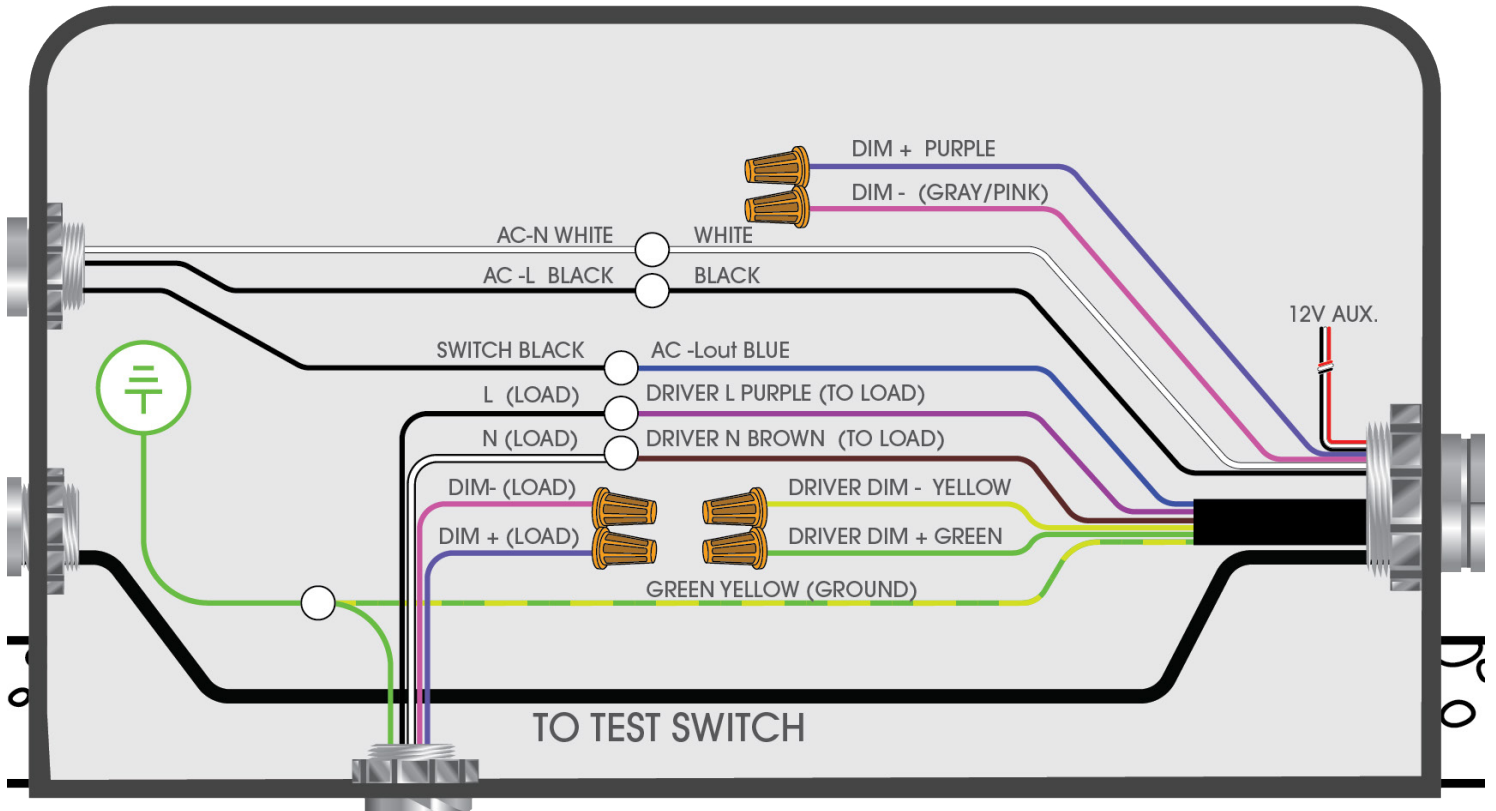


Fixture Type
Project
Notes

## SINGLE LOAD <15W ON/OFF ONLY



## J-BOX



# EM-LIN

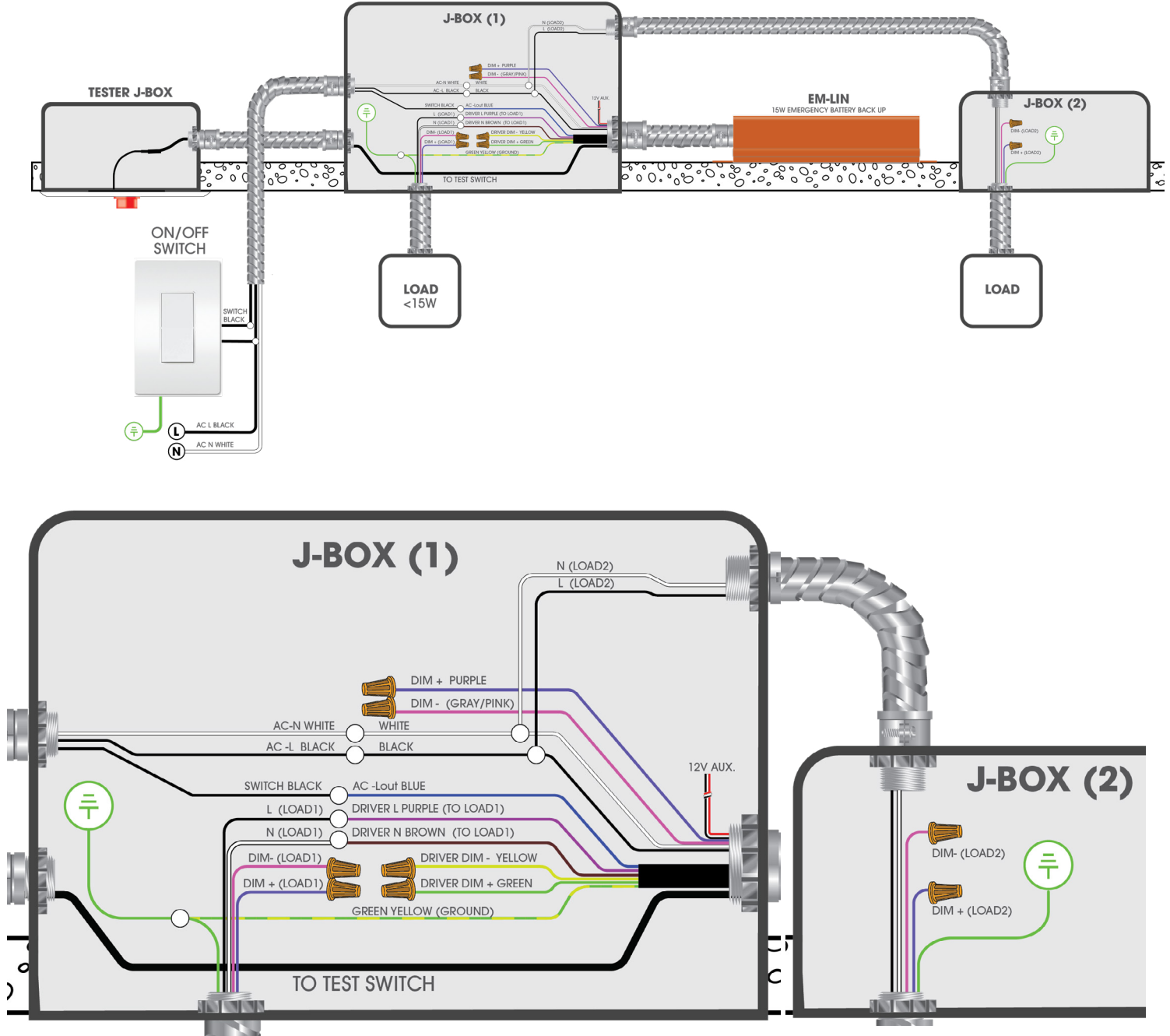
EMERGENCY BATTERY BACK UP  
15W ADAPTIVE CONSTANT OUTPUT POWER



Fixture Type
Project
Notes

## MULTIPLE LOADS <15W ON/OFF ONLY

Multiple loads wiring - only load 1 is connected to emergency battery



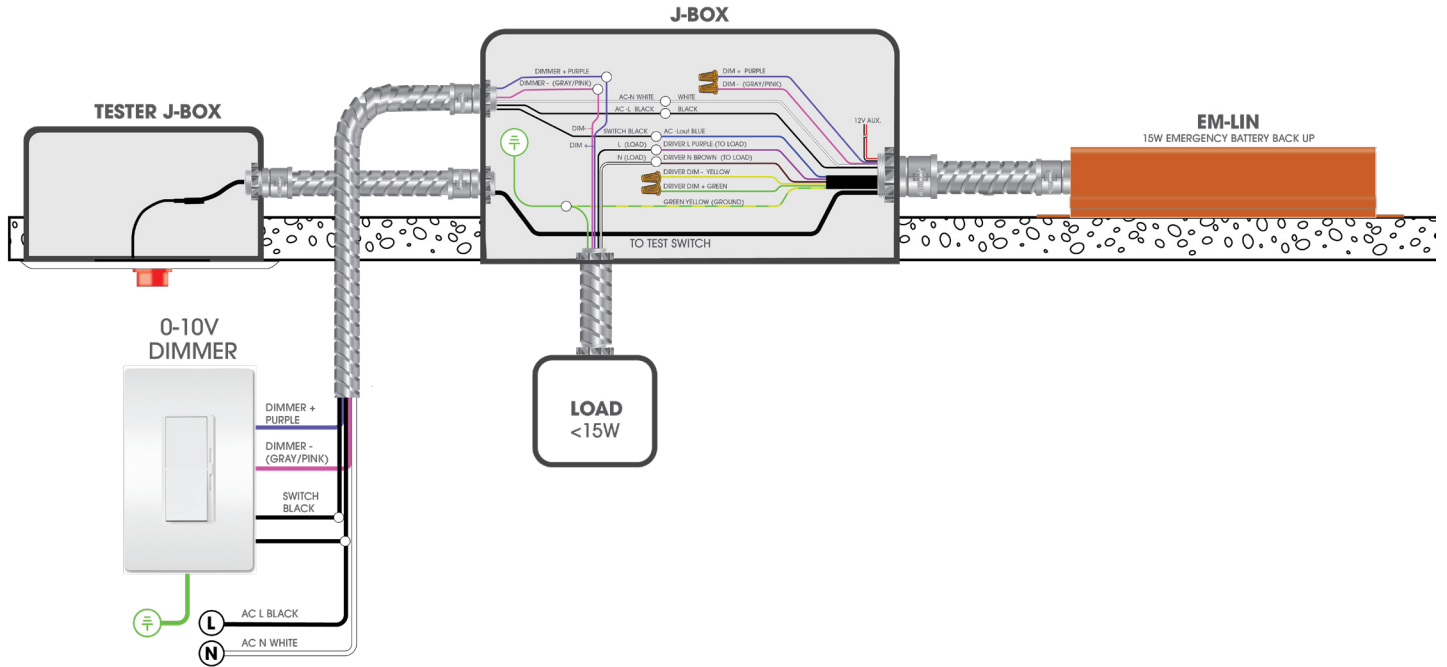
# EM-LIN

EMERGENCY BATTERY BACK UP  
15W ADAPTIVE CONSTANT OUTPUT POWER

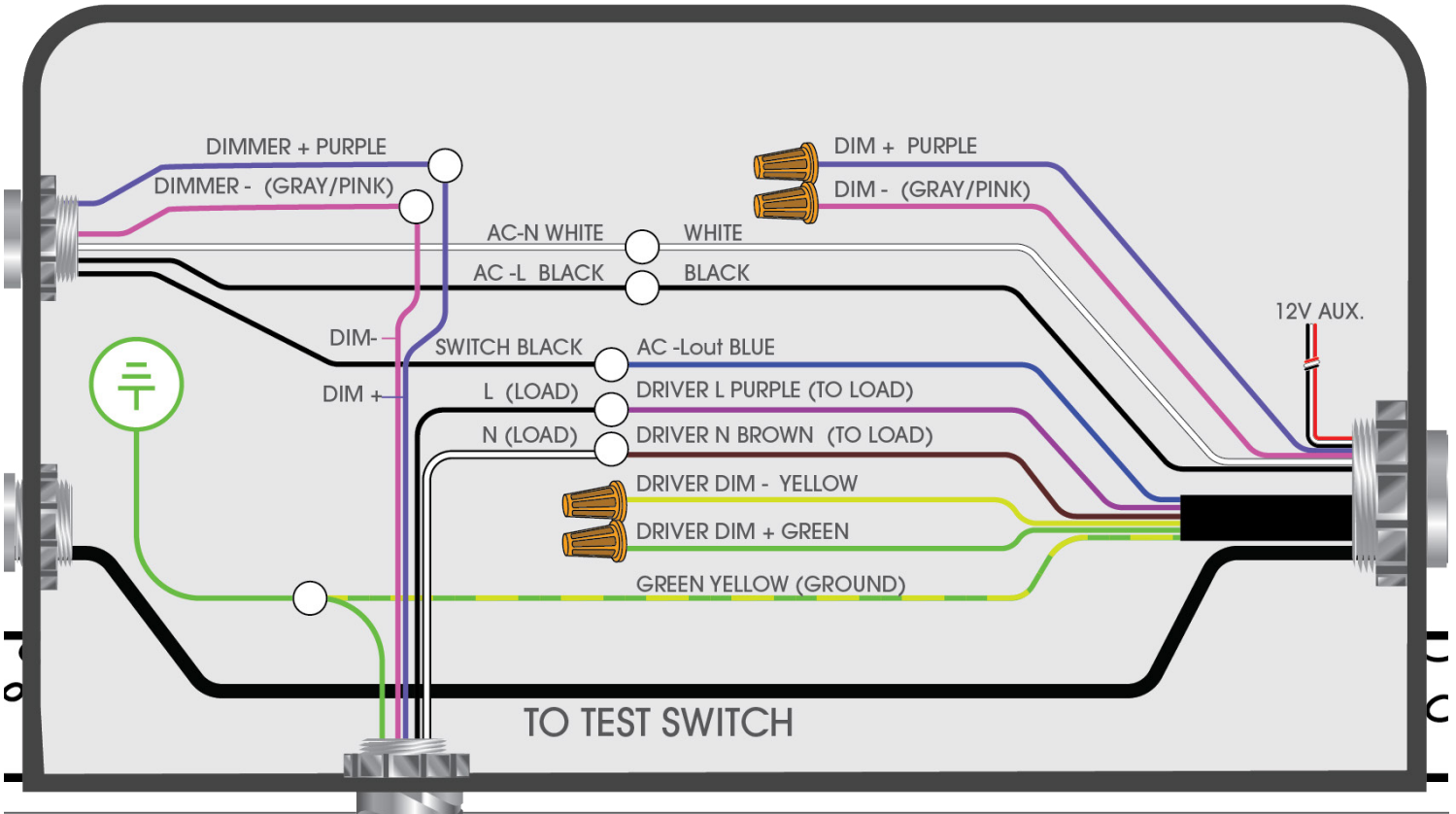


Fixture Type
Project
Notes

## SINGLE LOAD <15W 0-10V DIMMING



## J-BOX



# EM-LIN

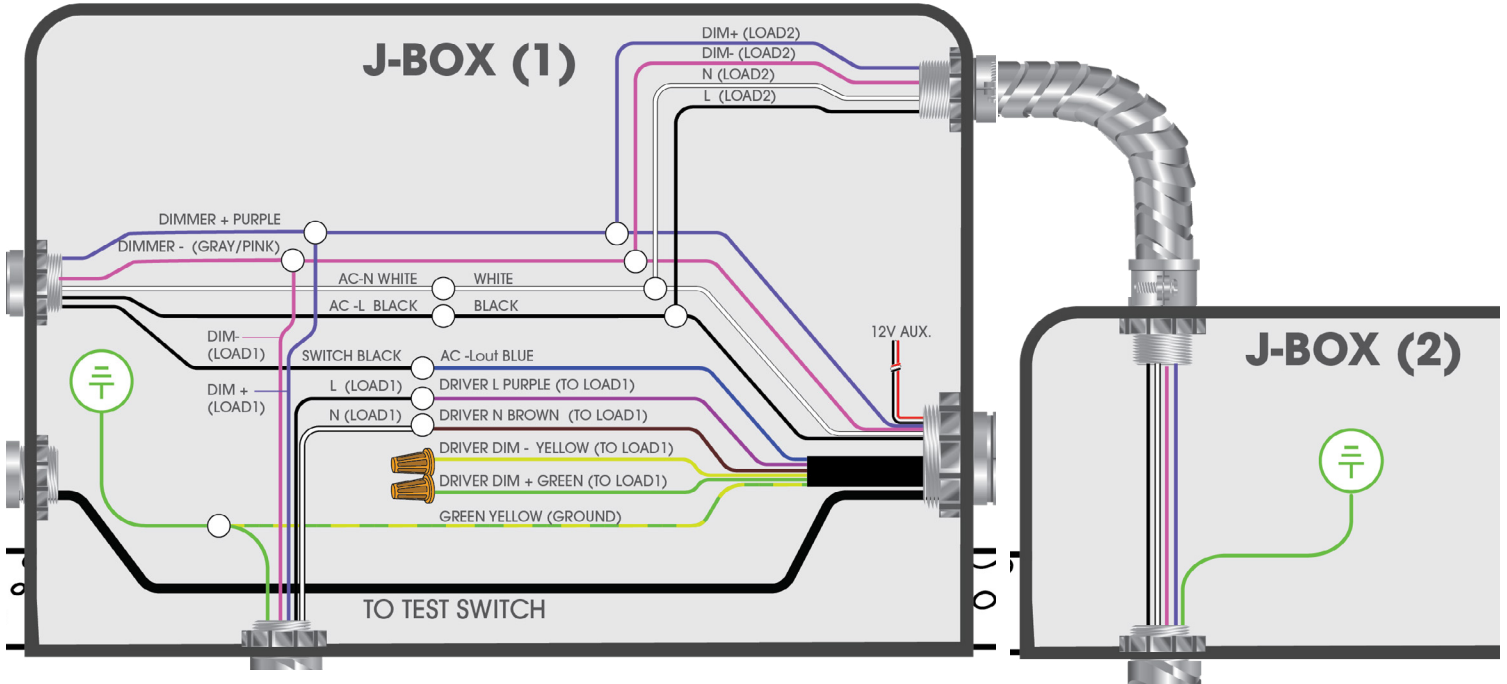
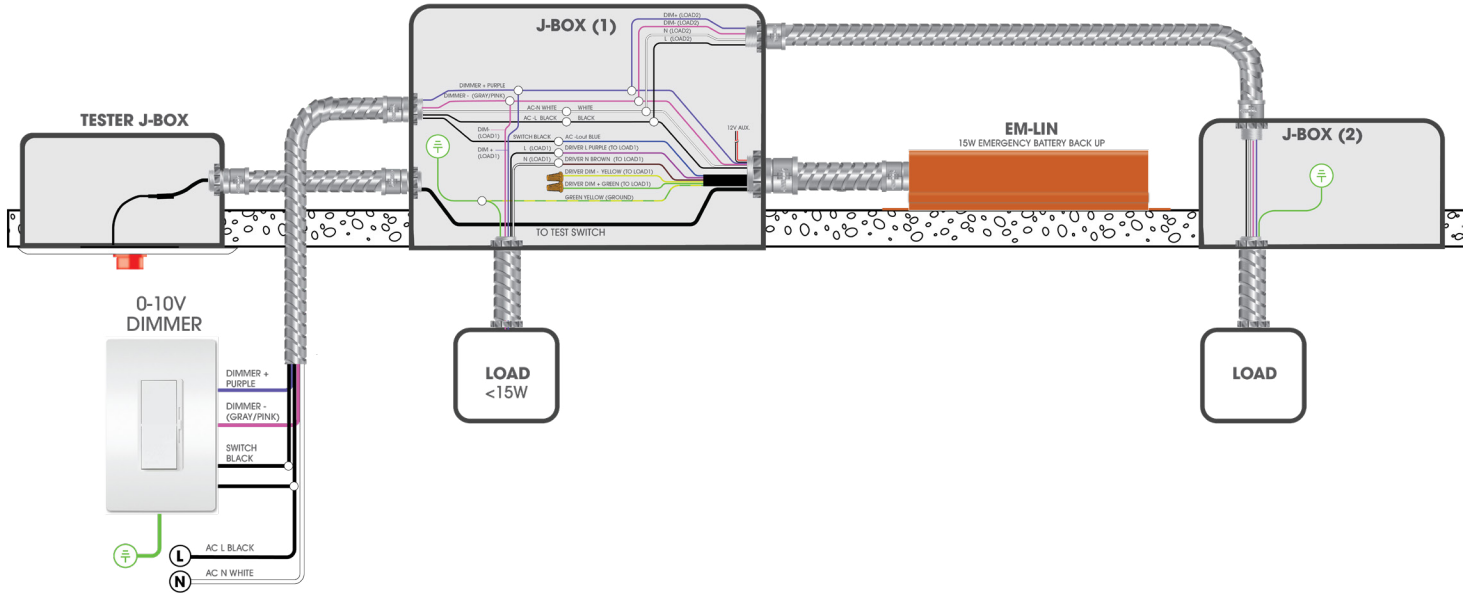
EMERGENCY BATTERY BACK UP  
15W ADAPTIVE CONSTANT OUTPUT POWER



Fixture Type
Project
Notes

## MULTIPLE LOADS <15W 0-10V DIMMING

Multiple loads wiring - only load 1 is connected to emergency battery





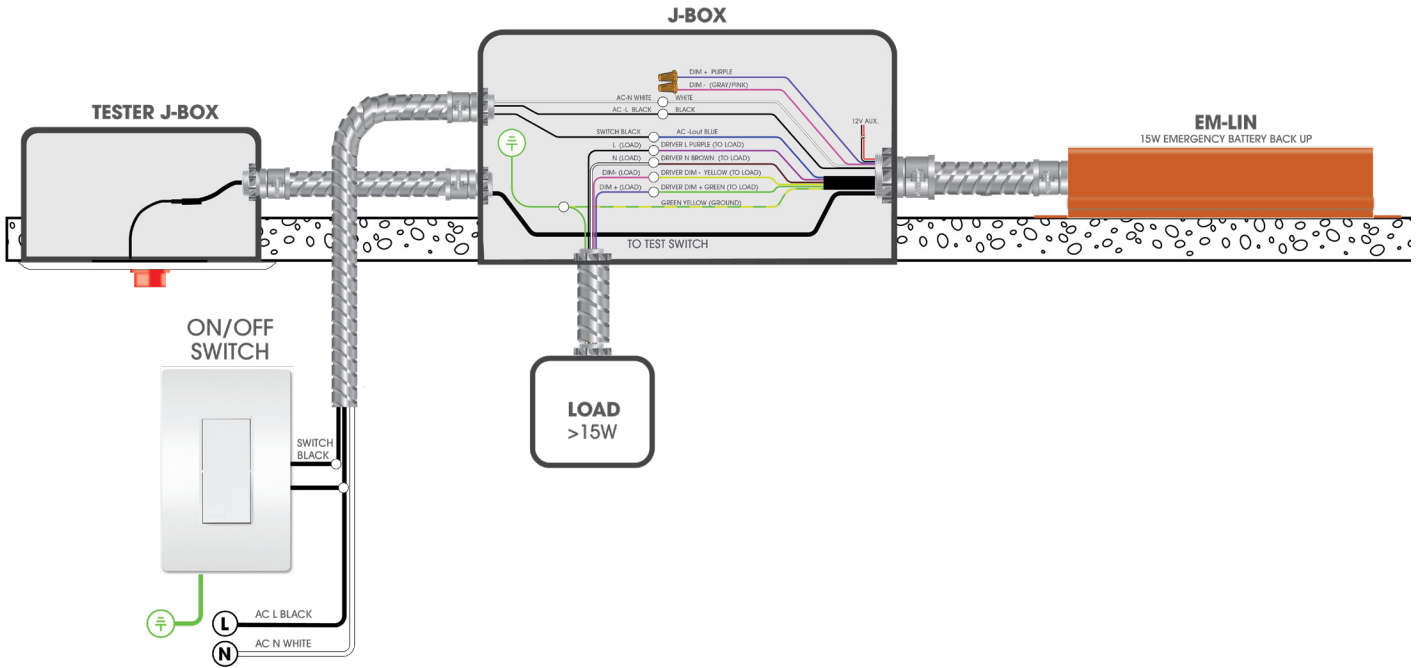
# EM-LIN

EMERGENCY BATTERY BACK UP  
15W ADAPTIVE CONSTANT OUTPUT POWER

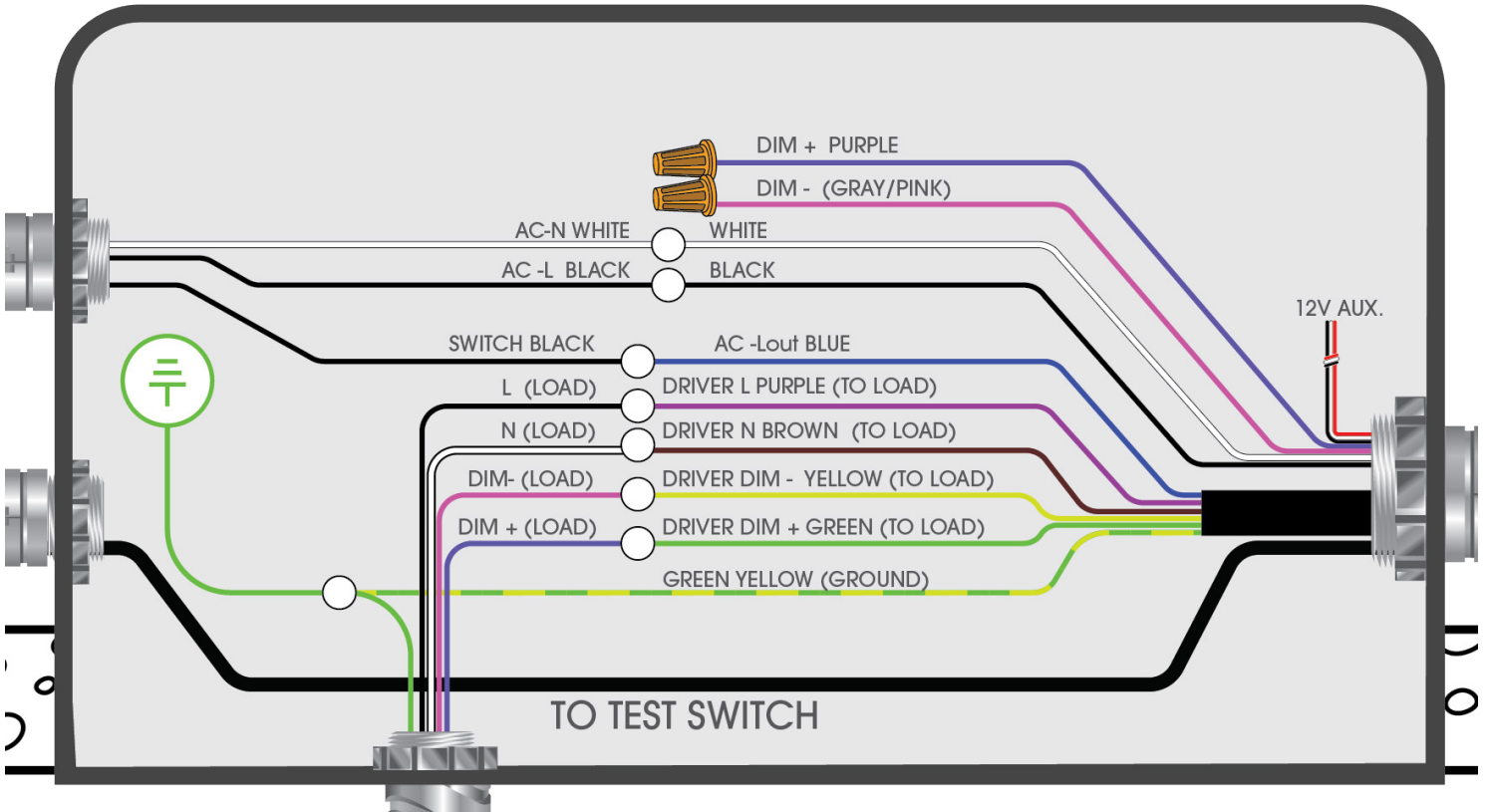


Fixture Type
Project
Notes

## SINGLE LOAD >15W ON/OFF ONLY



## J-BOX



# EM-LIN

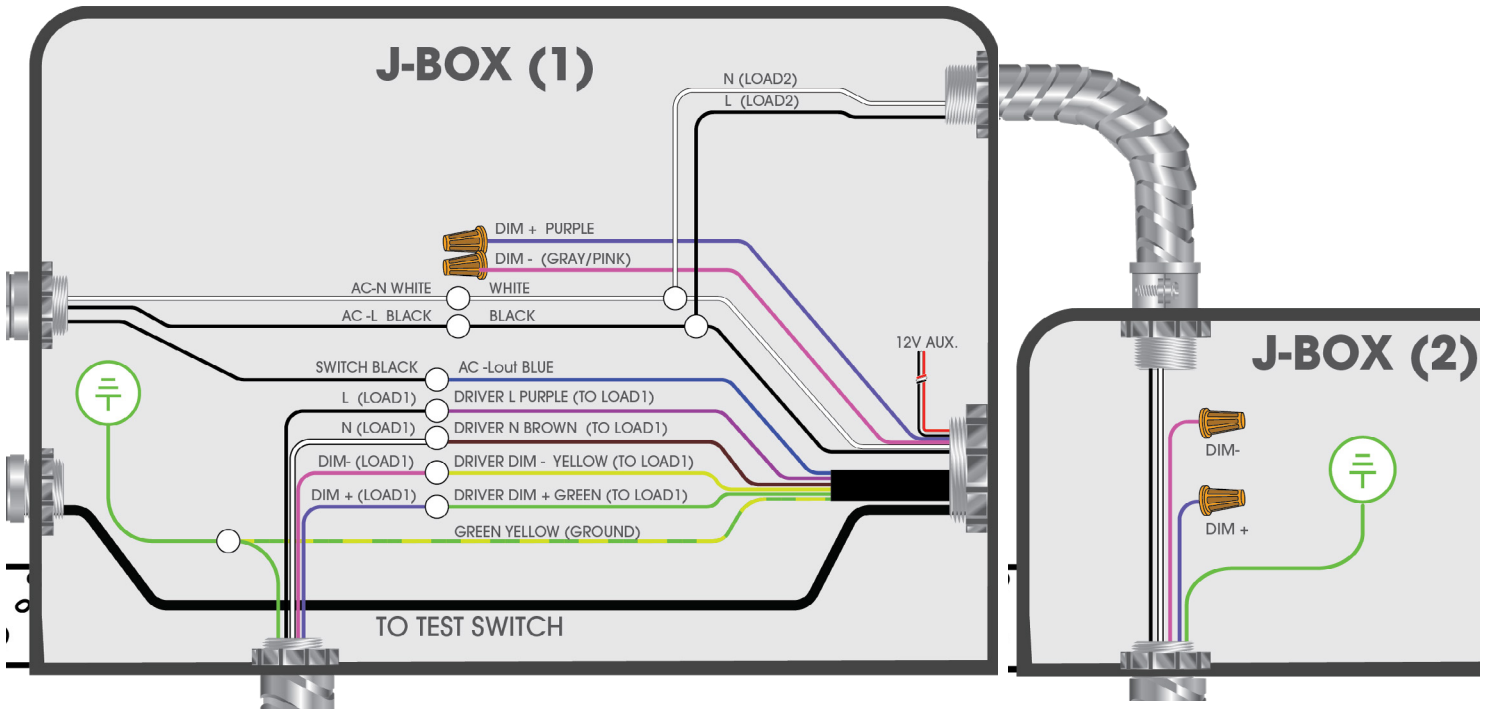
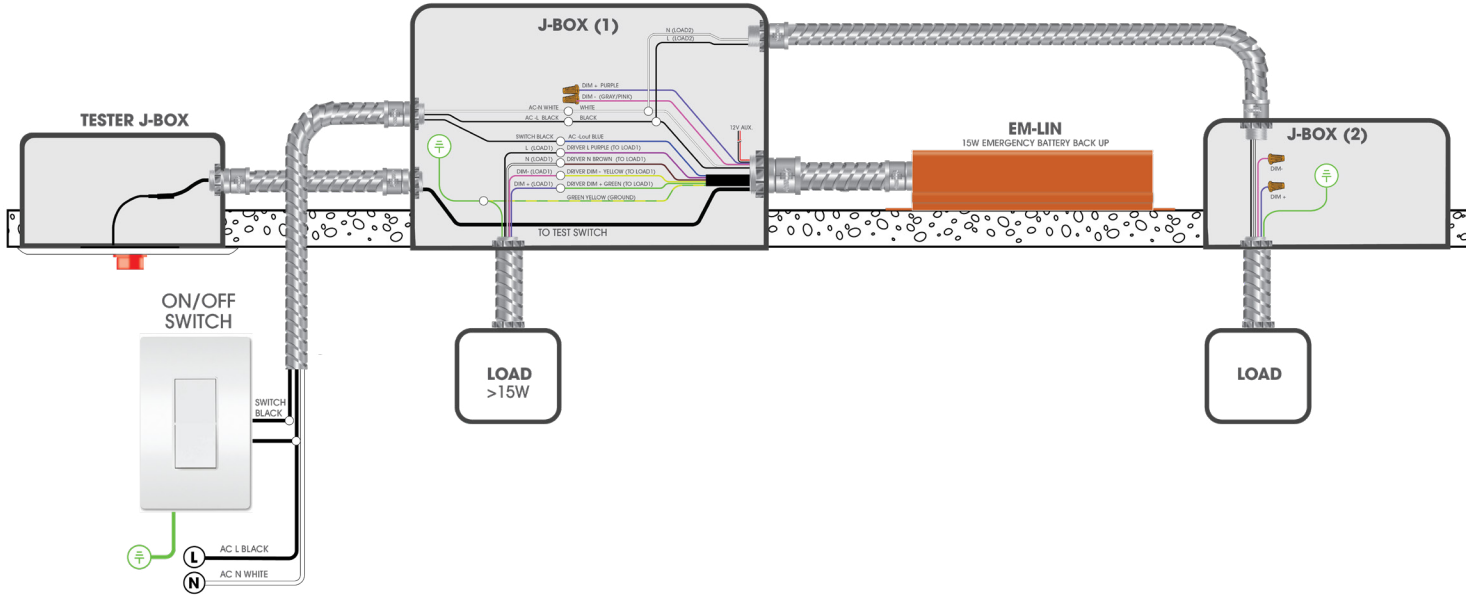
EMERGENCY BATTERY BACK UP  
15W ADAPTIVE CONSTANT OUTPUT POWER



Fixture Type
Project
Notes

## MULTIPLE LOADS >15W ON/OFF ONLY

Multiple loads wiring - only load 1 is connected to emergency battery



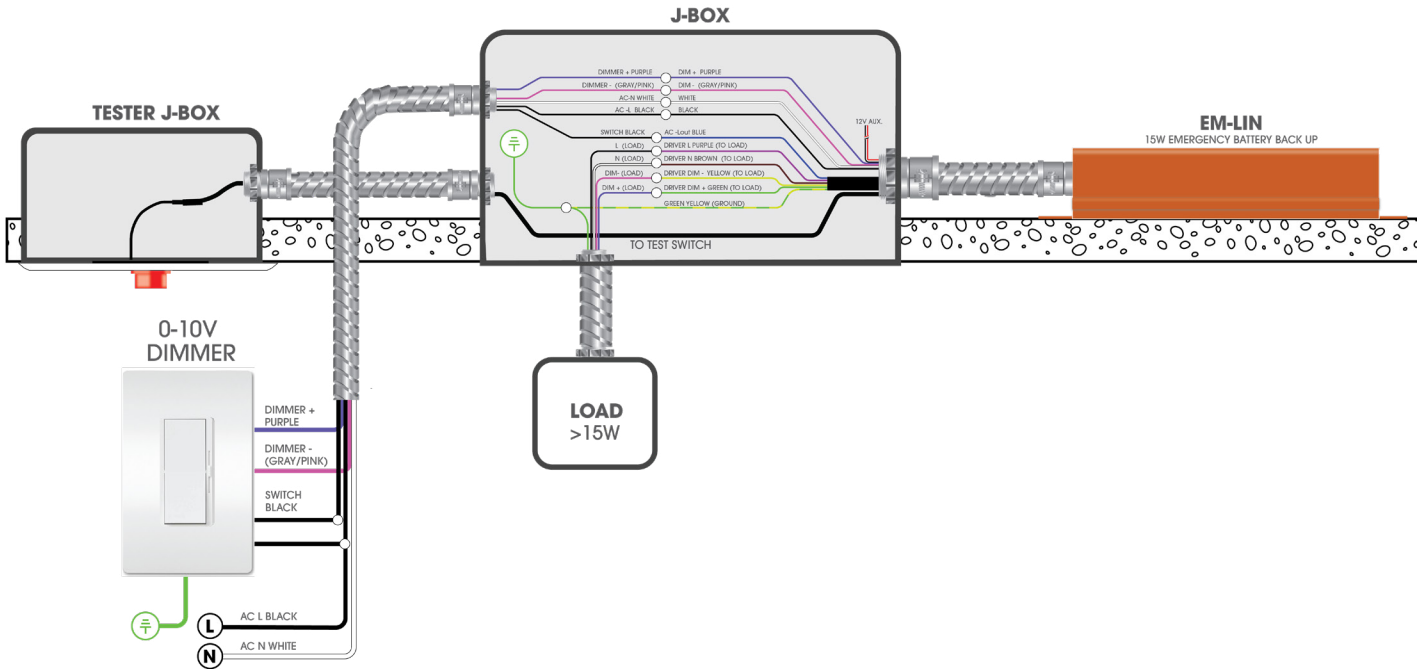
# EM-LIN

EMERGENCY BATTERY BACK UP  
15W ADAPTIVE CONSTANT OUTPUT POWER

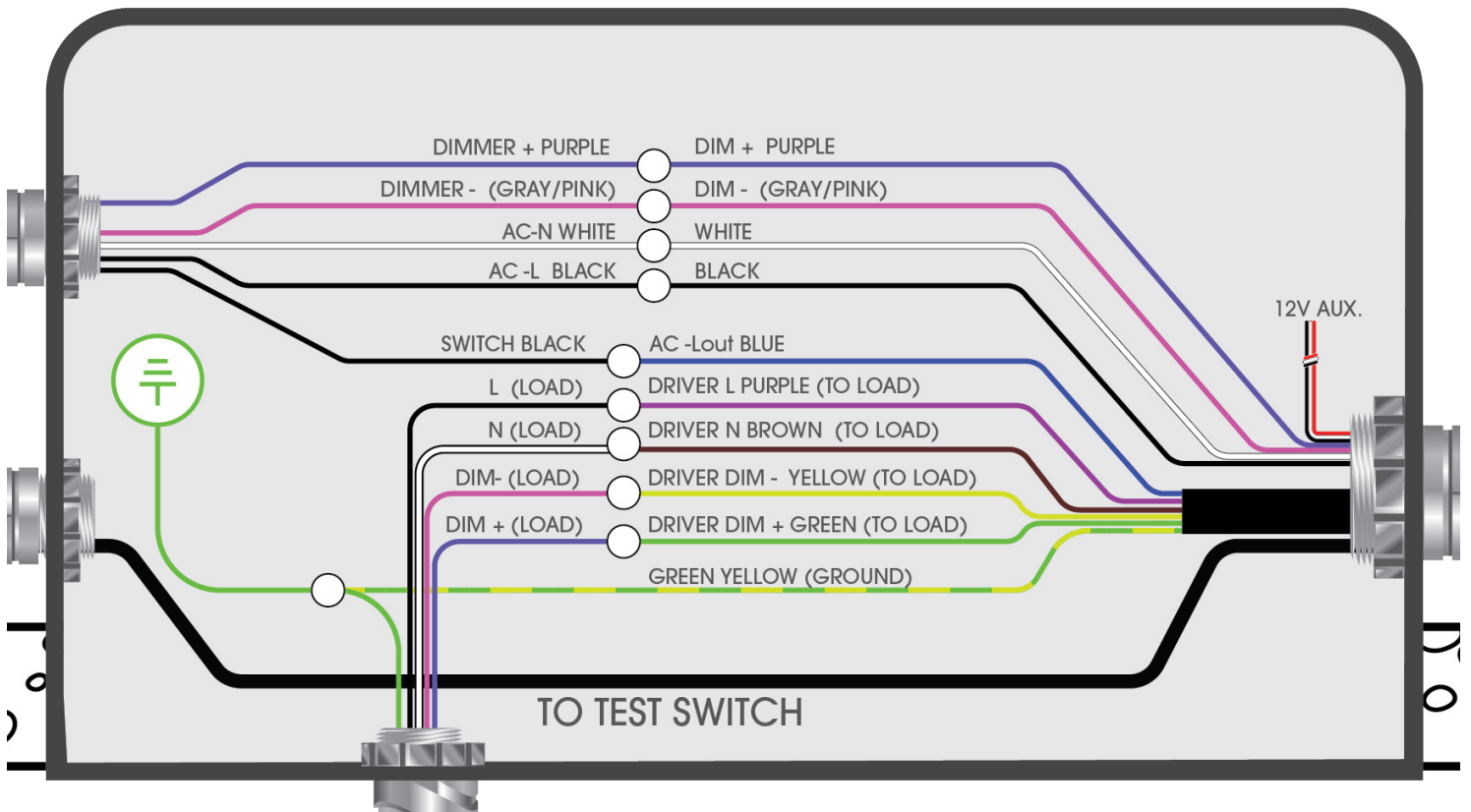


Fixture Type
Project
Notes

## SINGLE LOAD >15W 0-10V DIMMING



## J-BOX





# EM-LIN

EMERGENCY BATTERY BACK UP  
15W ADAPTIVE CONSTANT OUTPUT POWER



Fixture Type
Project
Notes

## MULTIPLE LOADS >15W 0-10V DIMMING

Multiple loads wiring - only load 1 is connected to emergency battery

