

Please read and save these instructions. Read carefully before using product. Protect yourself and others by observing all safety information, warnings and cautions. Failure to comply with instructions could result in personal injury and/or damage to product or property. Please retain instruction sheet for future reference.



### IMPORTANT SAFETY INSTRUCTIONS



All electrical connections must be in accordance with local codes, ordinances and the National Electric Code. This product operates on 120-347V AC; always confirm the maximum wattage of the linear fixture does not exceed the maximum wattage of the circuit it is connected to. If you are unfamiliar with methods of installing electrical wiring, secure the services of a qualified licensed electrician.

Prior to starting the installation, disconnect the power by turning off the circuit breaker or removing the appropriate fuse. (Turning off power using the light switch is not sufficient to prevent electrical shock).

This emergency battery provides more than one power supply output source. To reduce the risk of electrical shock, disconnect both normal and emergency source by turning off the A.C. branch circuit and by disconnecting the unit connector.

Do NOT attempt to service the battery. A sealed, no maintenance battery is used that is not field replaceable. Replace the entire unit when necessary. The use of accessory equipment is NOT recommended by the manufacturer. It may cause an unsafe condition, void warranty and result in non-compliance with UL specifications.

The emergency battery requires an un-switched AC power source of 100-277VAC, 50/60Hz or 100-347VAC, 50/60Hz. Verify the correspondent electrical rating at the LED fixture before servicing. Both electrical rating will supply power under an output voltage of 25-175VDC in emergency mode for at least 90 minutes. (See individual units for output specifications).

Battery pack should be charged for 24 hours every 3 months during storage.

Disconnect the battery pack before shipping and storing.

The battery in this unit may not be fully charged. After electricity is connected to the unit for at least 24 hours. Then normal operation of this unit should take effect.

For use in 30°F (0°C) min. to 122°F (50°C) max. ambient temperatures.

Flexible metal conduit is optional depending on installation environment.

The emergency battery should be mounted in locations and at heights where it will not readily be subjected to tampering by unauthorized personnel. For LED fixture power higher than or equal to rating of the emergency battery pack.

Do NOT use this equipment for anything other than its intended use. Equipment is only used for LED lighting emergency backup.

Do NOT mount near gas or electric heaters. Do NOT let power supply cords touch hot surfaces.

Do NOT make or leave any other open holes in the wiring enclosure or electrical component enclosure during installation.

This fixture is for use with grounded, UL listed, dry location rated and indoor fixture. Not for use in heated air outlets or hazardous locations.

Do NOT use outdoors!

## WIRING DIAGRAMS

Multiple loads wiring - only load 1 is connected to emergency battery

Single load <15W on/off non-dimming - [SEE PAGE 2](#)

Single load >15W on/off non-dimming - [SEE PAGE 6](#)

Multiple loads <15W on/off non-dimming - [SEE PAGE 3](#)

Multiple loads >15W on/off non-dimming - [SEE PAGE 7](#)

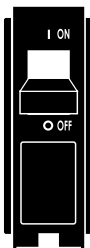
Single load <15W 0-10V dimming - [SEE PAGE 4](#)

Single load >15W 0-10V dimming - [SEE PAGE 8](#)

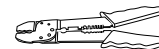
Multiple loads <15W 0-10V dimming - [SEE PAGE 5](#)

Multiple loads >15W 0-10V dimming - [SEE PAGE 9](#)

## BEFORE PROCEEDING TO NEXT PAGE



**TURN OFF ELECTRICITY**  
at main fuse box (or circuit breaker box) before beginning installation by switching circuit breaker off or removing fuse.  
**MIN 90° C SUPPLY CONDUCTORS**



May require teamwork and working on ladders

ALL PICTURES SHOWN ARE FOR ILLUSTRATION PURPOSE ONLY, ACTUAL PRODUCT MAY VARY

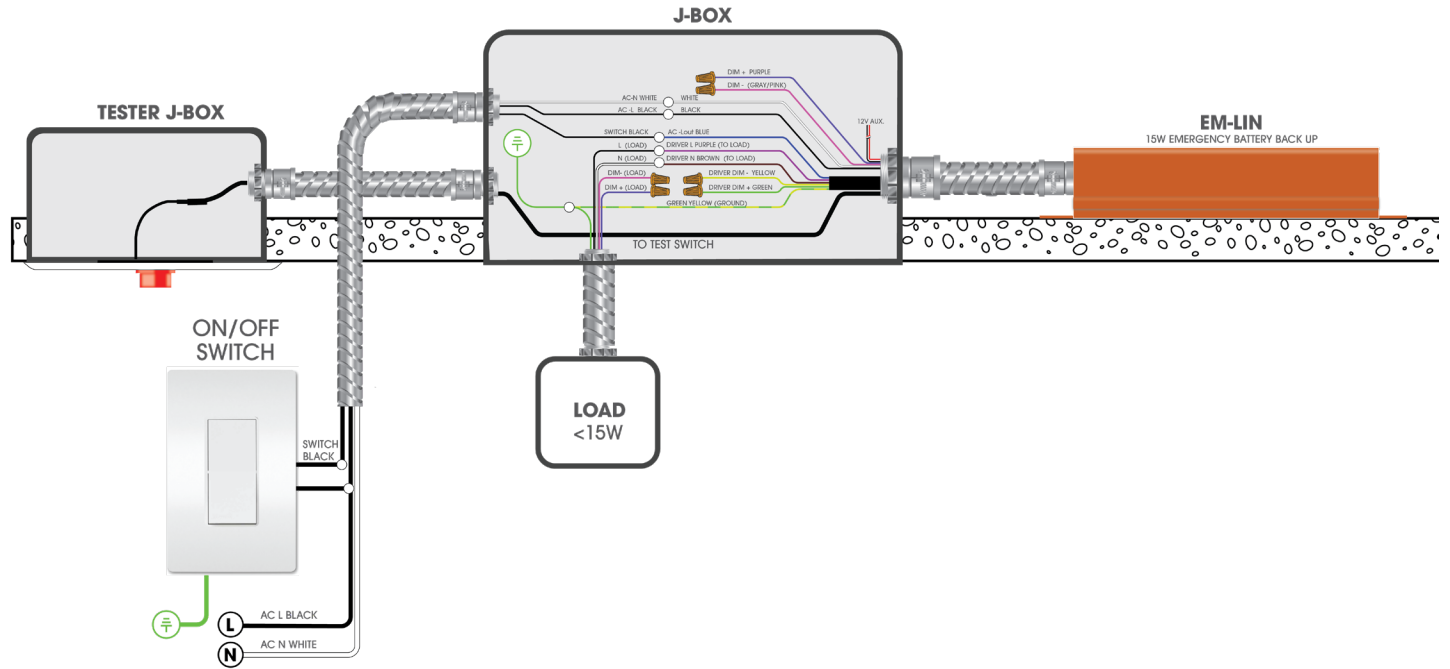
# EM-LIN

EMERGENCY BATTERY BACK UP  
INSTALLATIONS

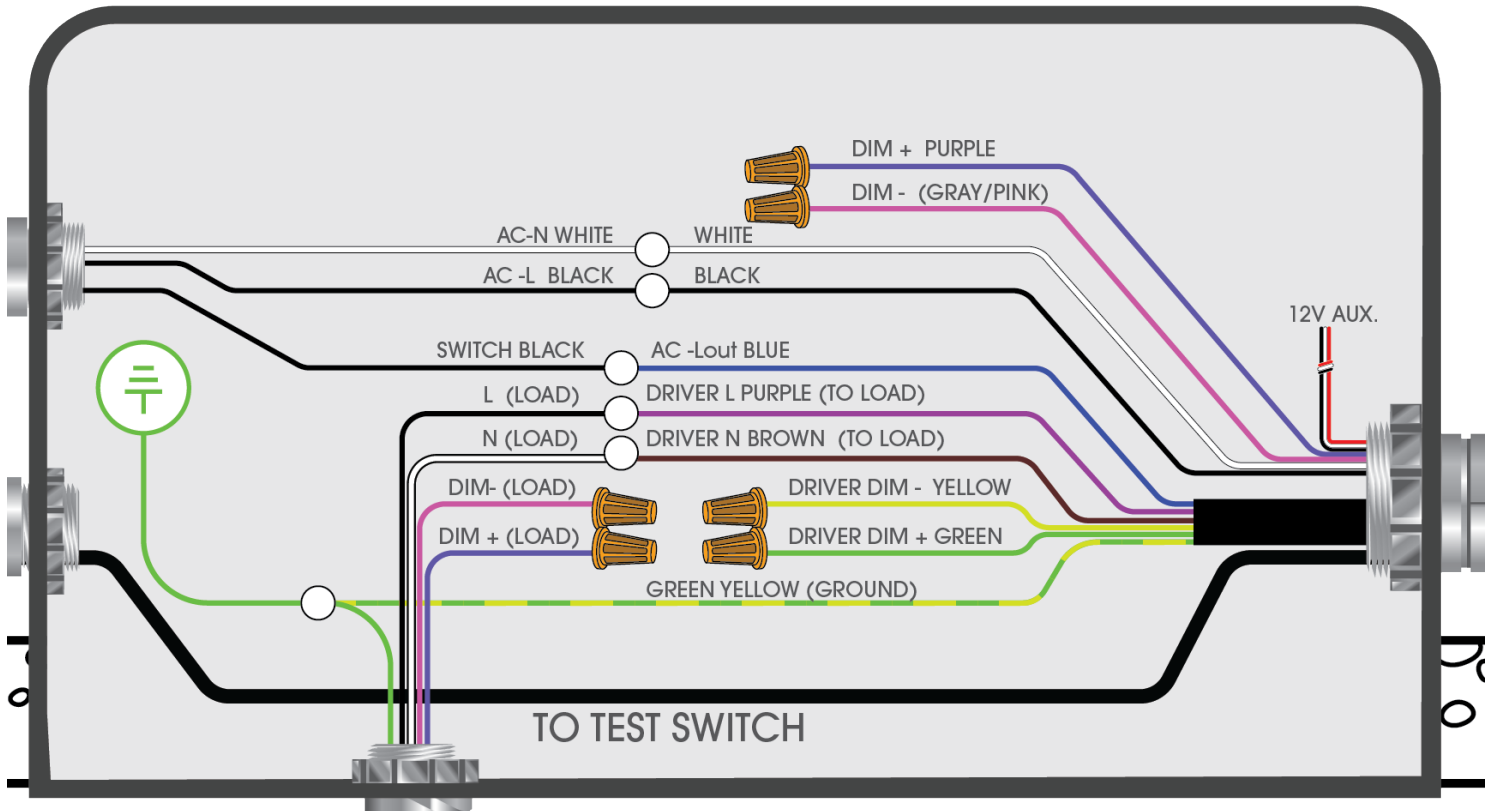


Fixture Type
Project
Notes

## SINGLE LOAD <15W ON/OFF ONLY



## J-BOX



# EM-LIN

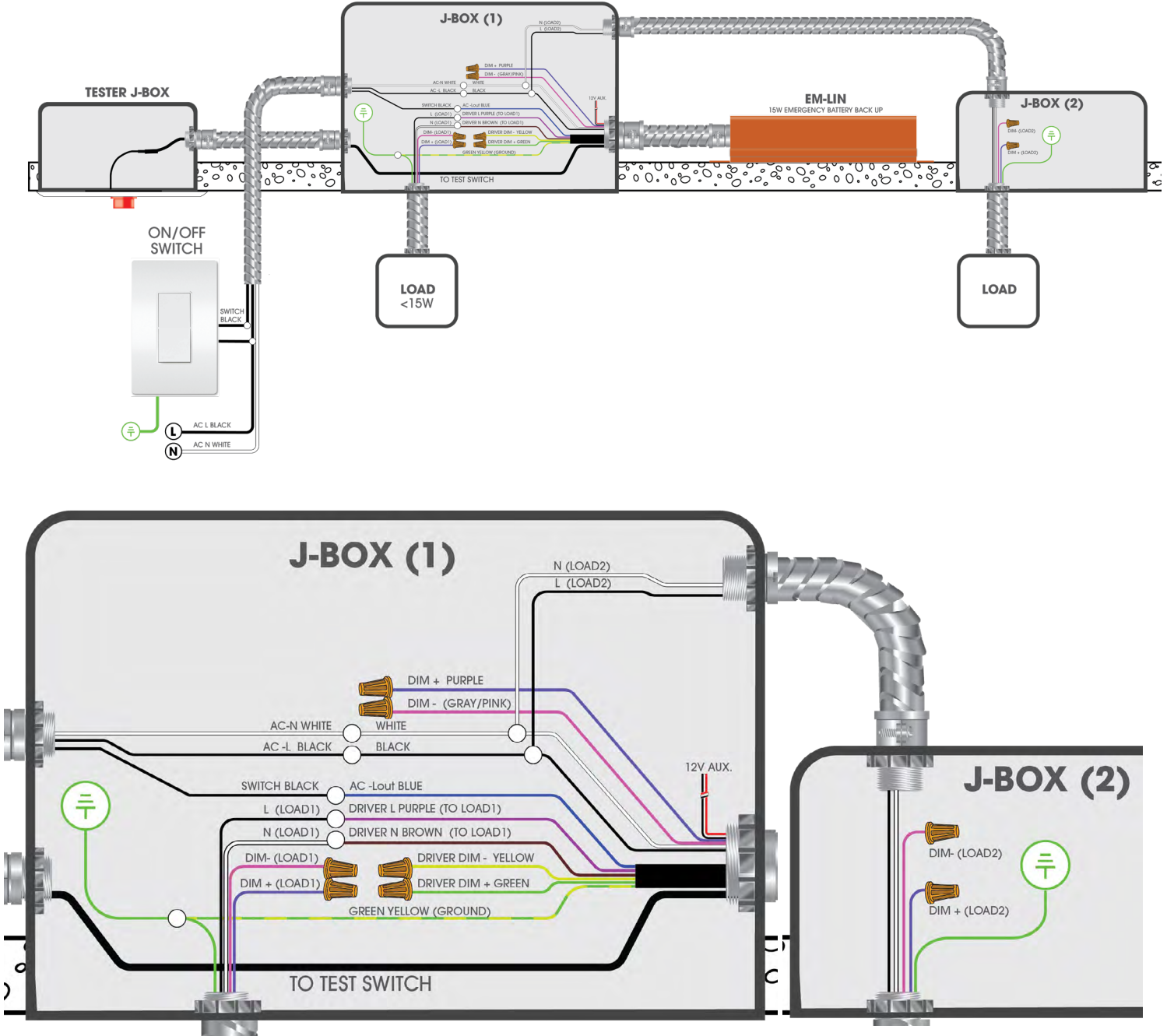
## EMERGENCY BATTERY BACK UP INSTALLATIONS



Fixture Type
Project
Notes

### MULTIPLE LOADS <15W ON/OFF ONLY

Multiple loads wiring - only load 1 is connected to emergency battery



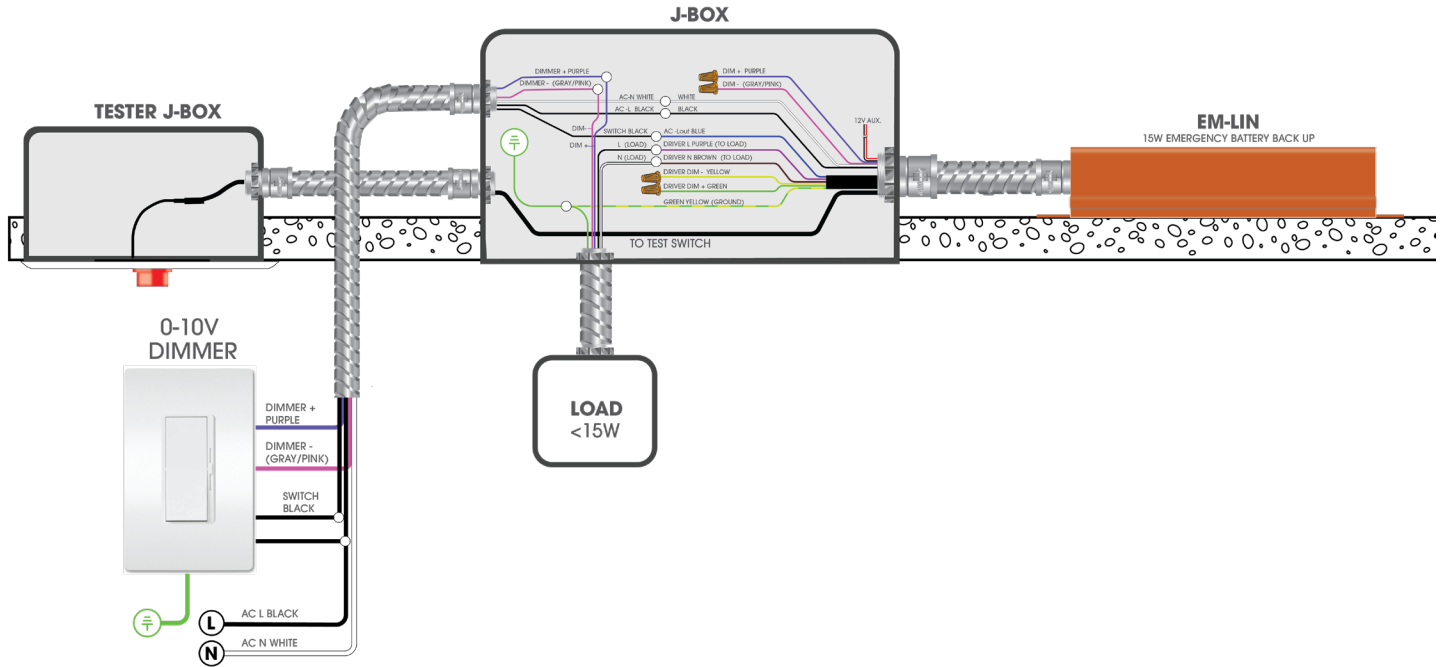
# EM-LIN

EMERGENCY BATTERY BACK UP  
INSTALLATIONS

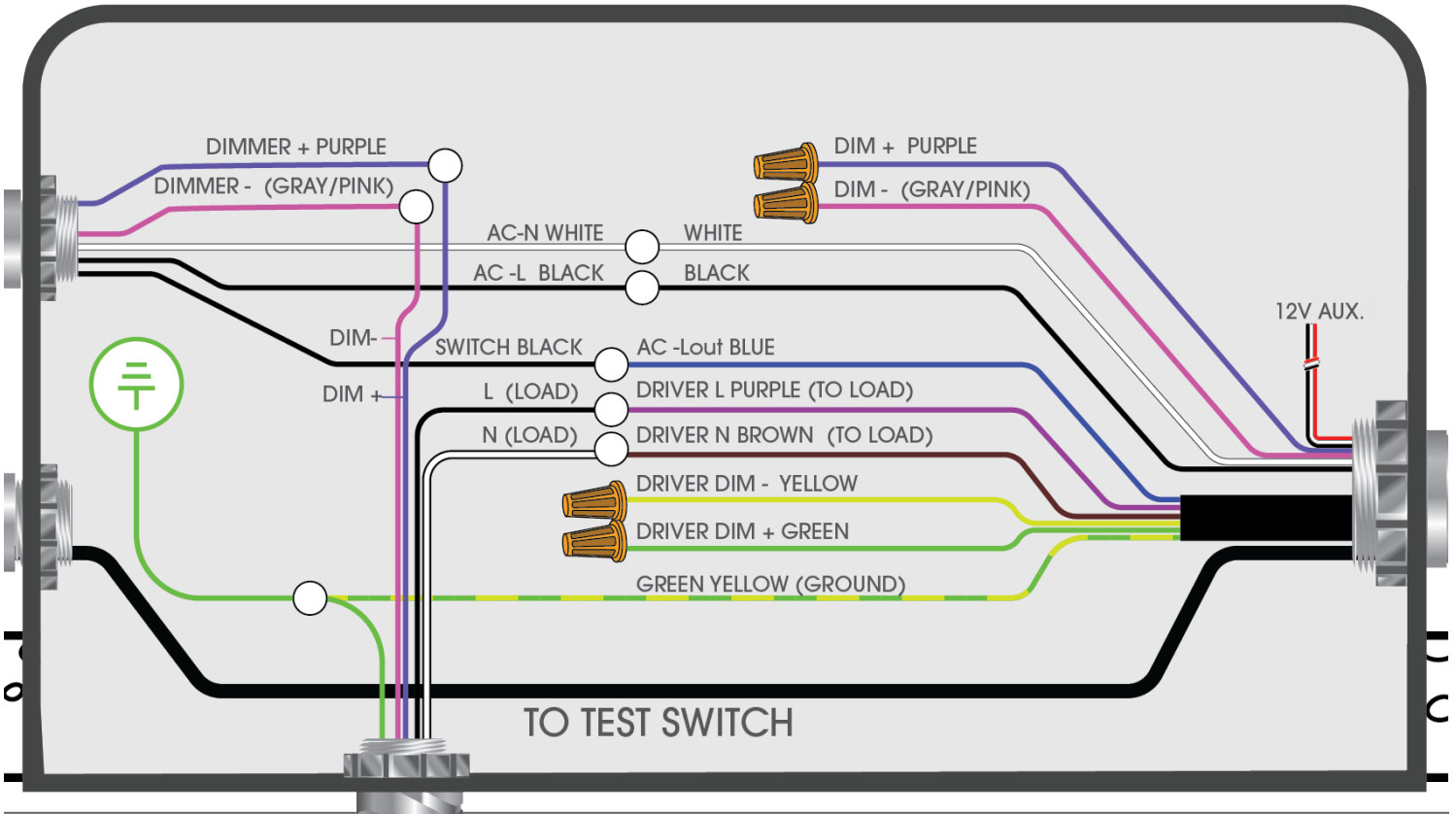


Fixture Type
Project
Notes

## SINGLE LOAD <15W 0-10V DIMMING



## J-BOX



# EM-LIN

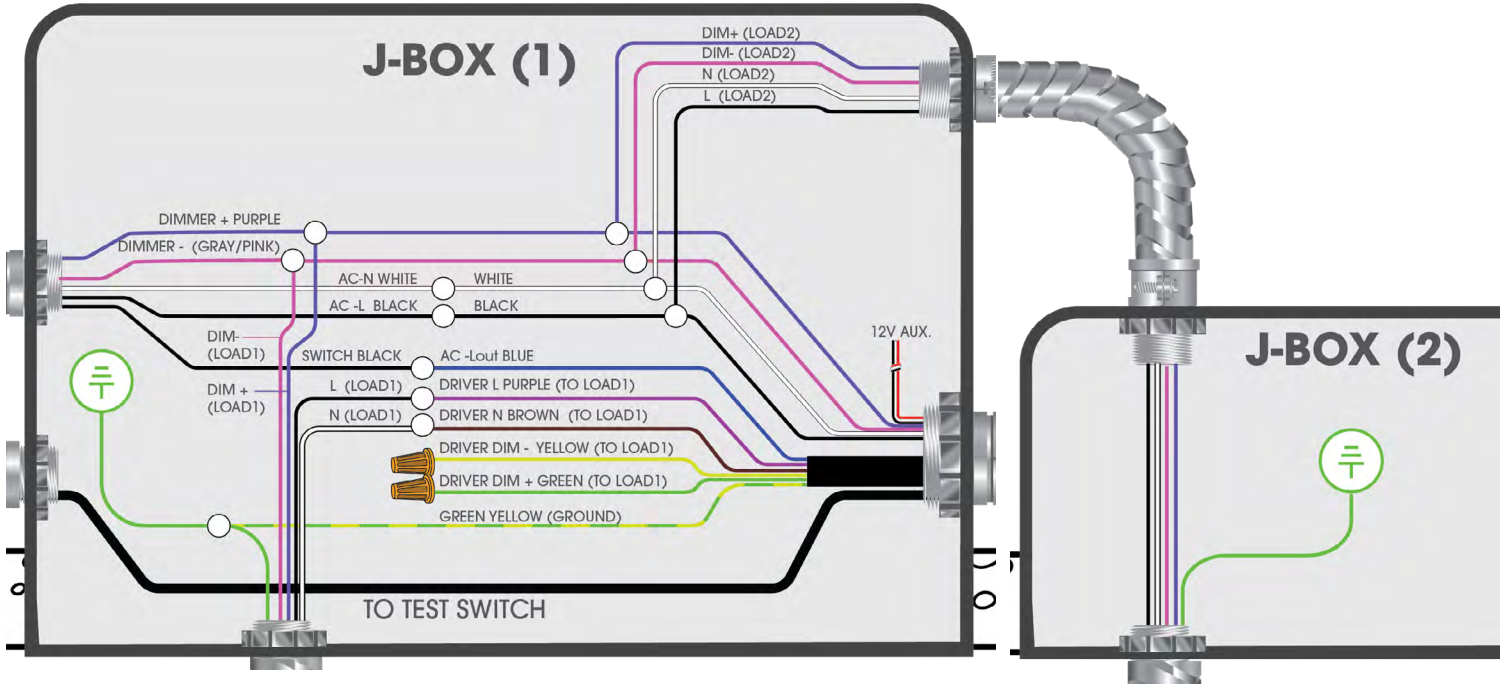
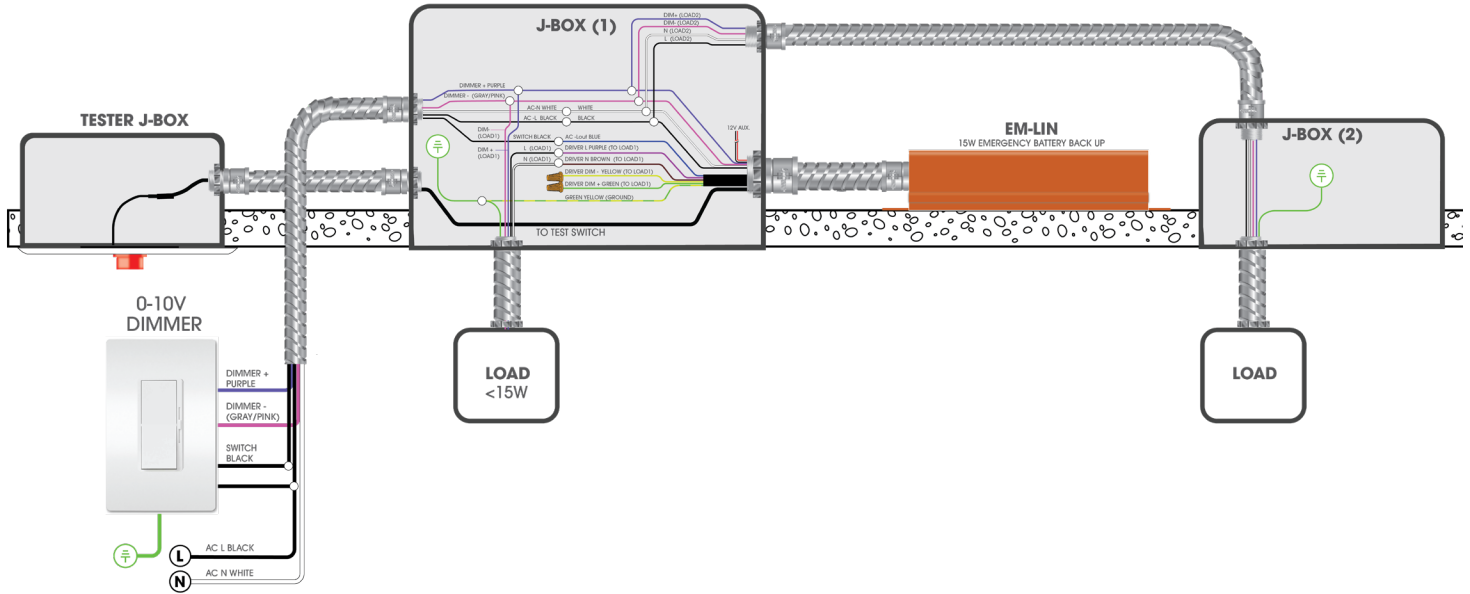
## EMERGENCY BATTERY BACK UP INSTALLATIONS



Fixture Type
Project
Notes

### MULTIPLE LOADS <15W 0-10V DIMMING

Multiple loads wiring - only load 1 is connected to emergency battery



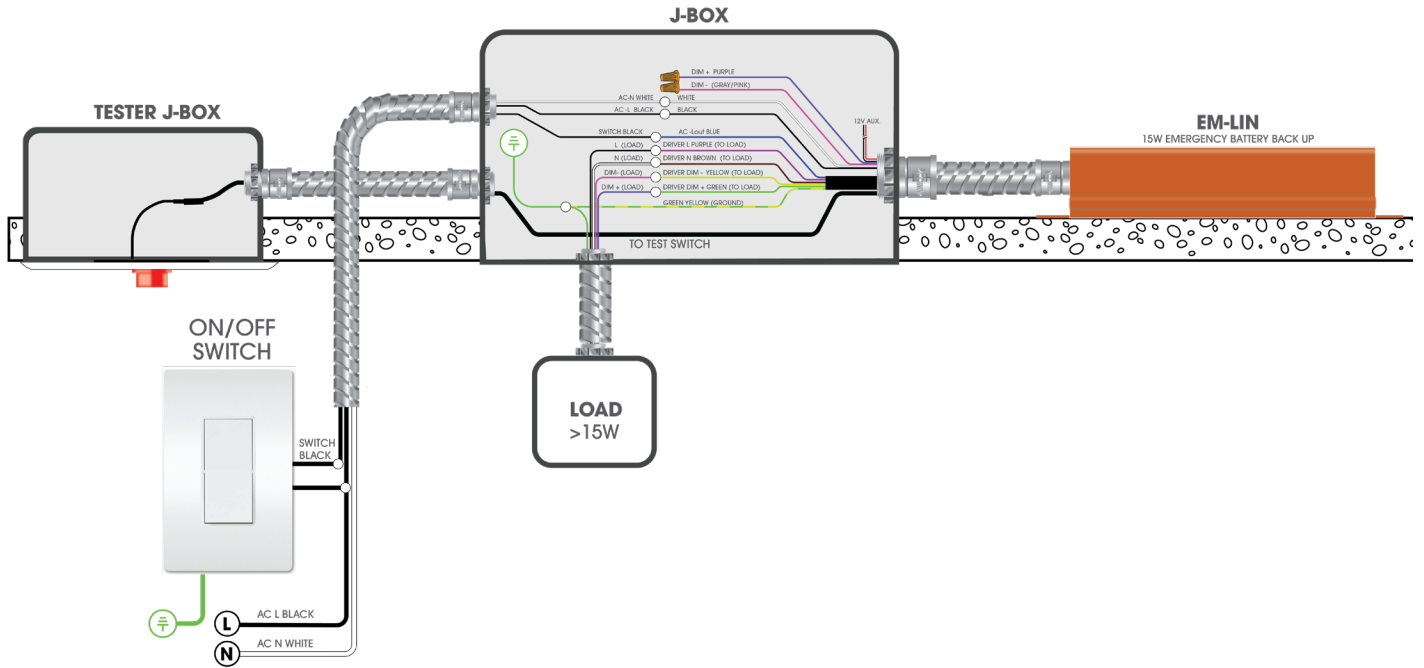
# EM-LIN

EMERGENCY BATTERY BACK UP  
INSTALLATIONS

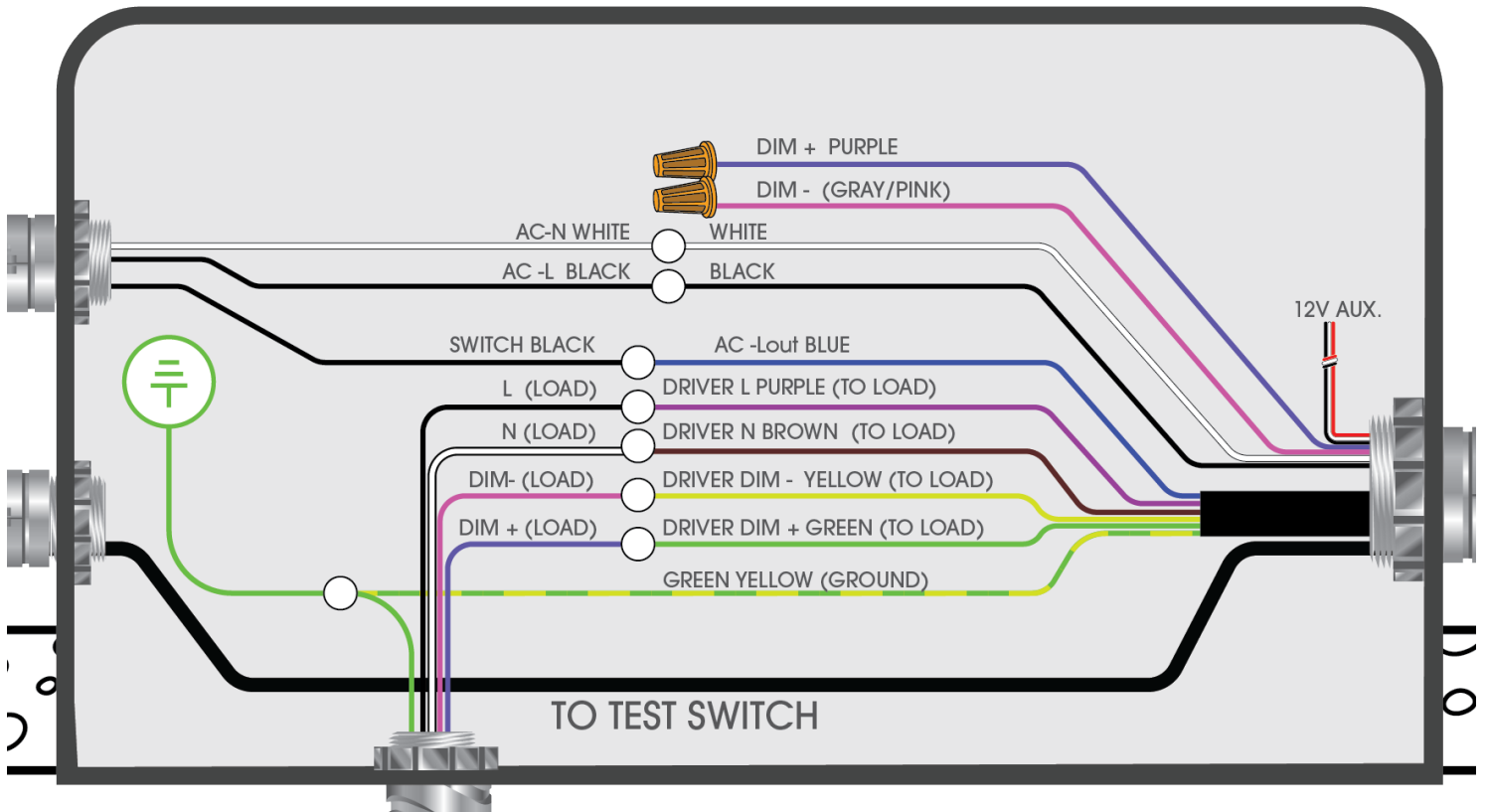


Fixture Type
Project
Notes

## SINGLE LOAD >15W ON/OFF ONLY



## J-BOX



# EM-LIN

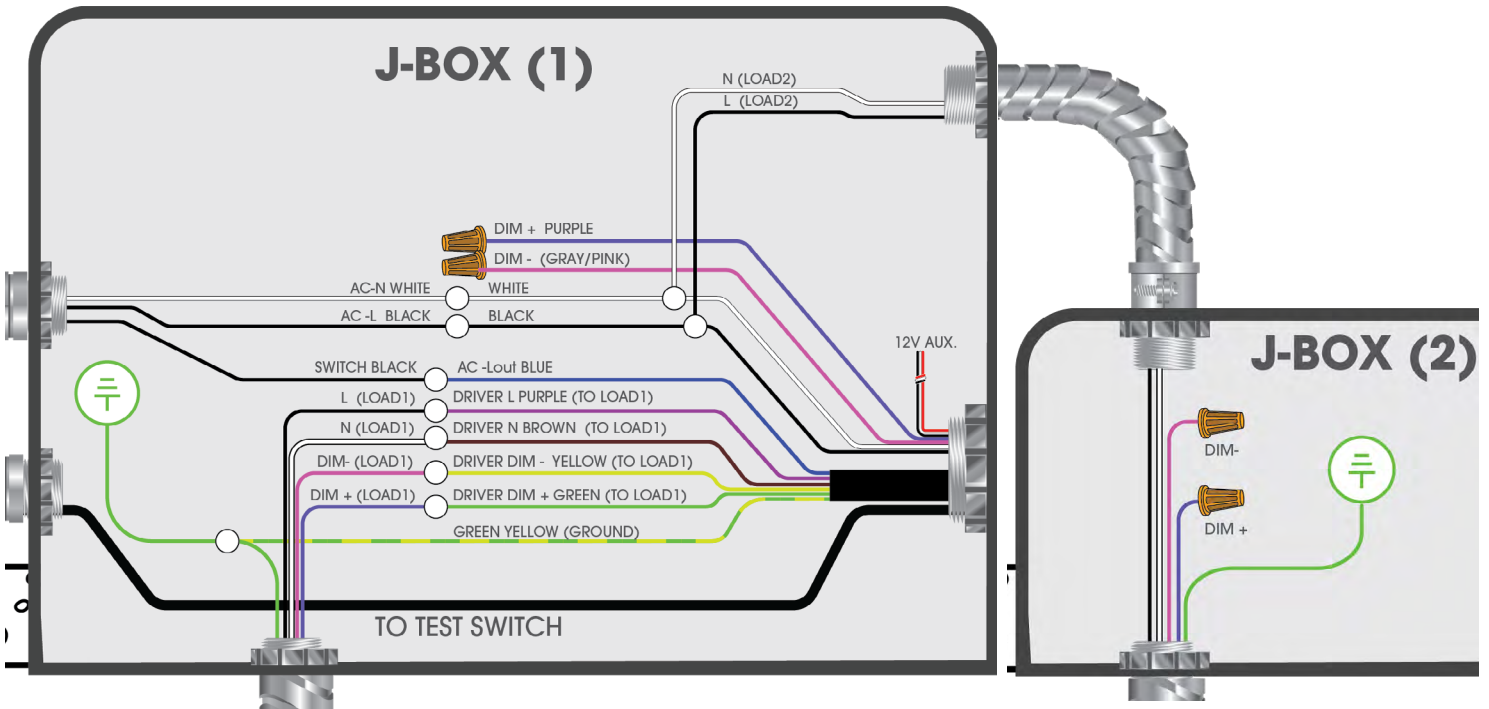
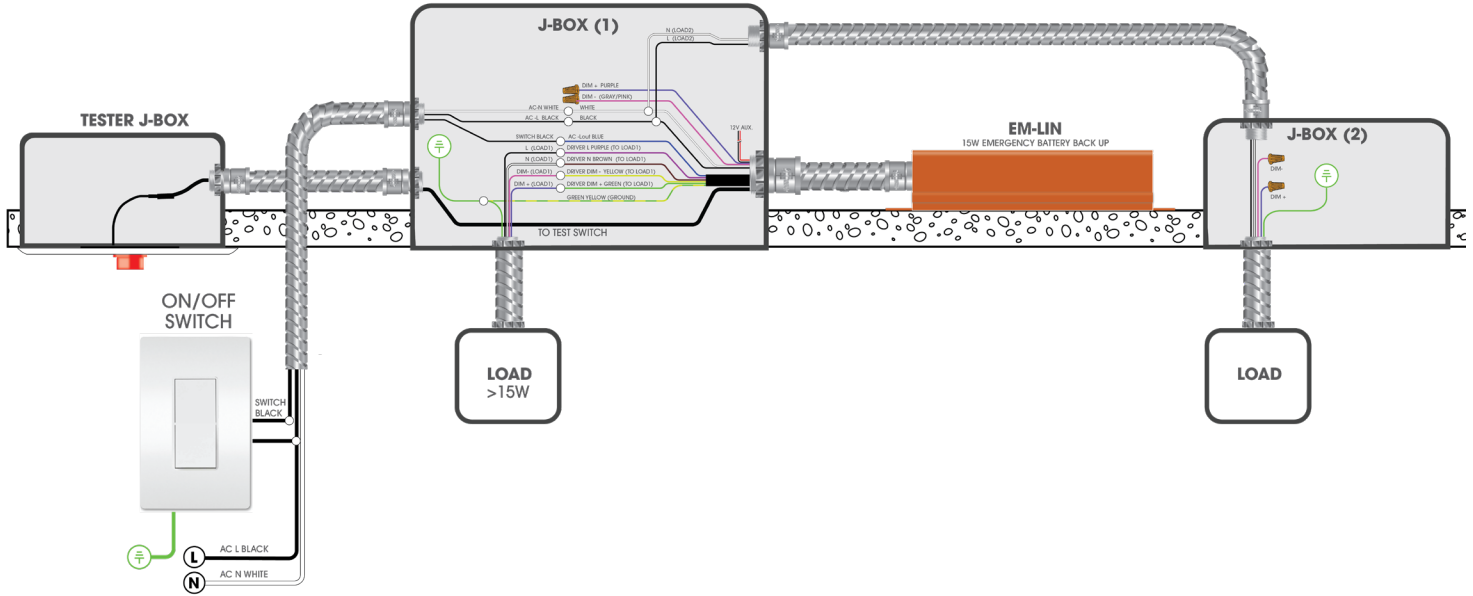
## EMERGENCY BATTERY BACK UP INSTALLATIONS



Fixture Type
Project
Notes

### MULTIPLE LOADS >15W ON/OFF ONLY

Multiple loads wiring - only load 1 is connected to emergency battery



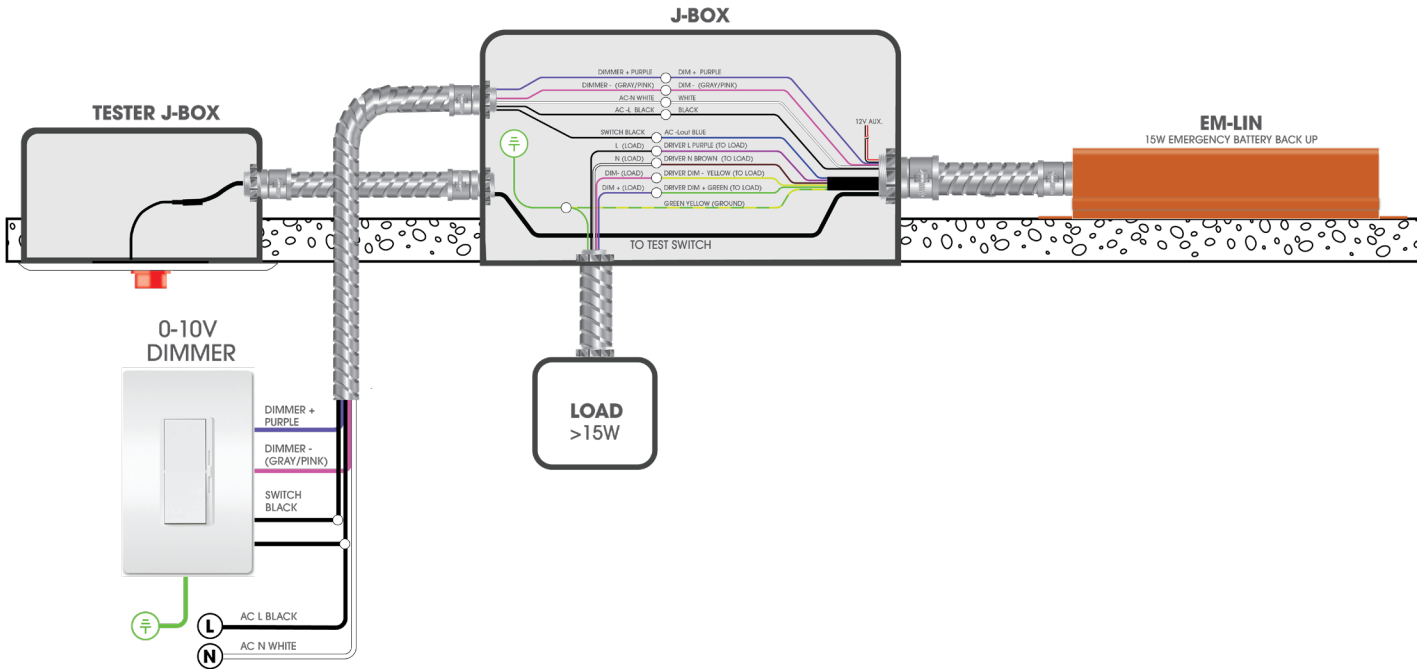
# EM-LIN

EMERGENCY BATTERY BACK UP  
INSTALLATIONS

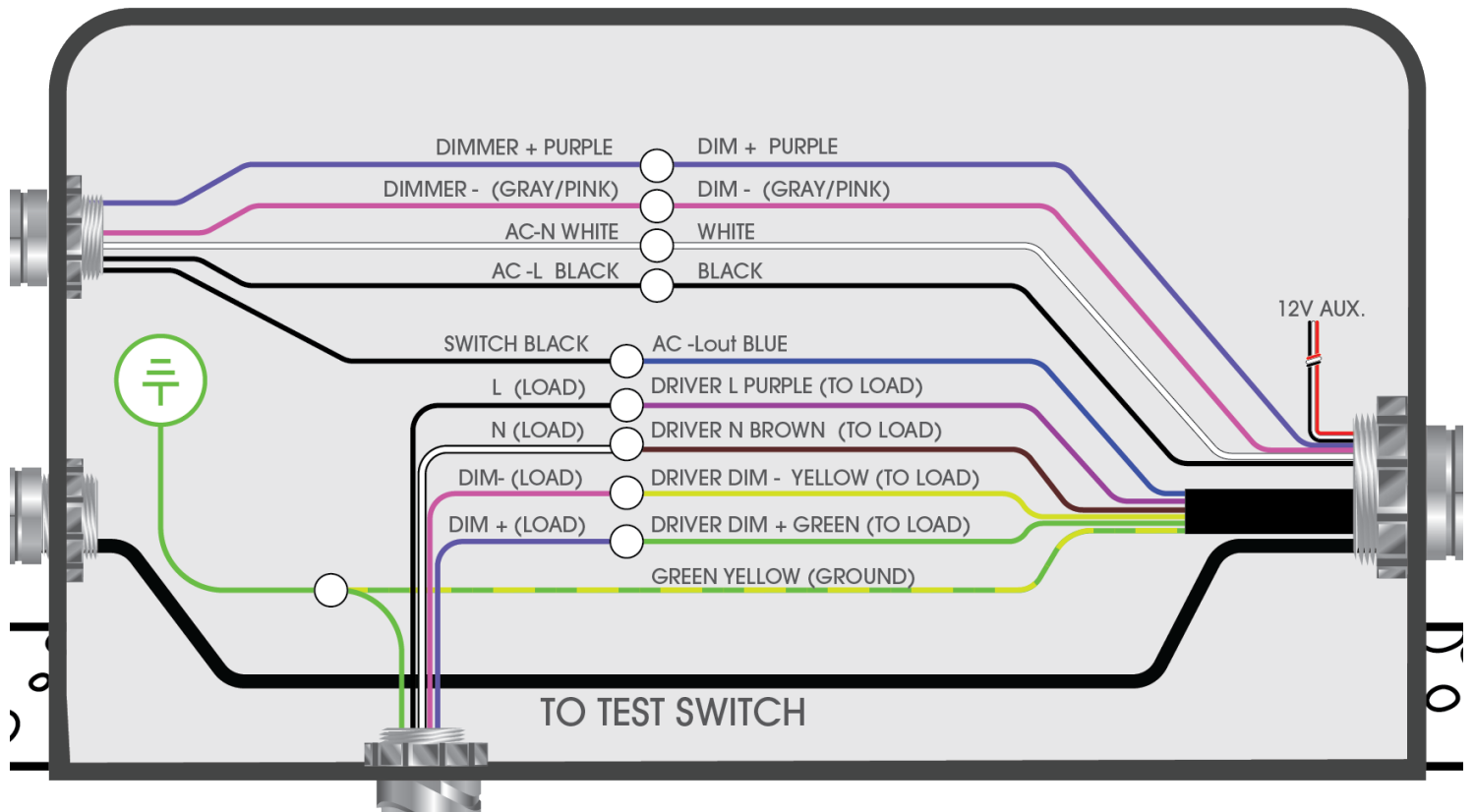


Fixture Type
Project
Notes

## SINGLE LOAD >15W 0-10V DIMMING



### J-BOX





# EM-LIN

EMERGENCY BATTERY BACK UP  
INSTALLATIONS



Fixture Type
Project
Notes

## MULTIPLE LOADS >15W 0-10V DIMMING

Multiple loads wiring - only load 1 is connected to emergency battery

