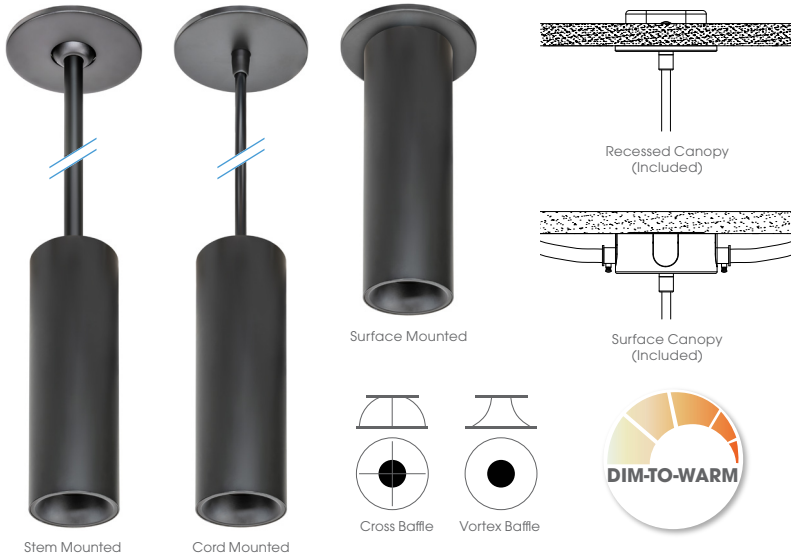


# CYLINDRO

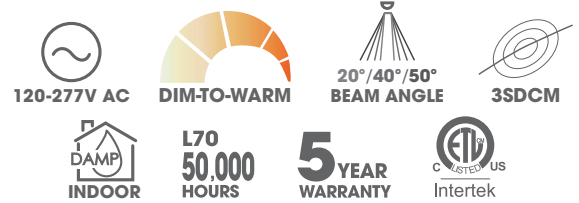
## CYL25 DTW 2.5" DIM-TO-WARM CYLINDERS



Fixture Type
Project
Notes



**CYLINDRO** Collection of Specification Cylinders for Surface, Cord, and Swivel Stem Mounted applications, is designed for residential, hospitality, retail, and commercial spaces. The Vortex Baffle, with advanced optics, casts a uniform and comfortable light without harsh shadows. The Cross Baffle provides focused lighting with no glare. When dimmed, the Dim-To-Warm fixture mimics the smooth dimming curve of incandescent lamps, providing 3000K at full brightness and dims to a warm 1800K. Fixtures are built to your exact specifications with a quick turn-around time, and ships ready to install.



## SPECIFICATIONS

<b>WATTAGE</b>	10W	14W	18W
<b>LUMENS</b>	670 Lm	930 Lm	1200 Lm
<b>EFFICACY</b>	67 Lm/W	66 Lm/W	67 Lm/W
<b>INPUT VOLTAGE</b>	120-277V AC		
<b>CRI</b>	90+		
<b>BEAM ANGLE</b>	20°, 40°, 50°		
<b>DIMMING</b>	0-10V, CASAMBI Ready, <a href="#">see page 5</a>		

<b>ENVIRONMENT</b>	Indoor - Damp
<b>CERTIFICATIONS</b>	c-ETL-us
<b>LUMEN MAINTENANCE</b>	50,000 hours
<b>OPTIONAL</b>	Emergency Battery Pack
<b>OPERATING TEMP</b>	-4°F ~ 104°F ambient without EM 32°F ~ 104°F ambient with EM
<b>WARRANTY<sup>1</sup></b>	5 years

<sup>1</sup> See published warranty terms for detailed information  
Note: Lumen data based on 3000K 90CRI

## PERFORMANCE DATA (Based on 3500K 90CRI Flood optic)

Luminaire Wattage	Delivered Lumens	Lumens/Watt	Emergency Power
10W	670 Lm	67	10W / 980 Lm
14W	930 Lm	66	14W / 930 Lm
18W	1200 Lm	67	15W / 1000 Lm

## TECHNICAL PARAMETERS

Dimming Protocol	Dimming Range	Input Voltage	Power Factor	THD
0-10V	3%-100% dim to off	120V AC - 277V AC	>0.9	<20%
Casambi (0-10V) <sup>1</sup>	3%-100% dim to off	120V AC - 277V AC	>0.9	<20%

<sup>1</sup> Consult factory for Casambi network design

## ORDERING INFO

CANOPY TYPE	POWER	DIMMING	CCT	BEAM	LENS	MOUNTING	BAFFLE FINISH	FIXTURE FINISH
<b>CYL25</b>	-	-	-	-	-	-	-	-
2.5" Cylinder	<b>10W</b> - 10W <b>14W</b> - 14W <b>18W</b> - 18W	<b>010</b> - 0-10V <b>CAS</b> - Casambi	<b>DTW</b> 3000K - 1800K	<b>M-NF</b> - 20° <b>M-WF</b> - 40° <b>M-VW</b> - 50°	<b>LN</b> - No Lens <b>LL</b> - Linear <b>LH</b> - Hexcell <b>LS</b> - Softening	<b>SM</b> - Surface Mount <b>CM048</b> - Cord 48" <sup>1</sup> <b>CM144</b> - Cord 144" <sup>1</sup> <b>ST048</b> - Stem 48" <sup>1</sup> <b>ST096</b> - Stem 96" <sup>1</sup>	<b>VB</b> - Vortex Black <b>VW</b> - Vortex White <b>VC</b> - Vortex Custom <sup>2</sup> <b>CB</b> - Cross Black	<b>BK</b> - Black <b>WH</b> - White <b>CT</b> - Custom <sup>2</sup>

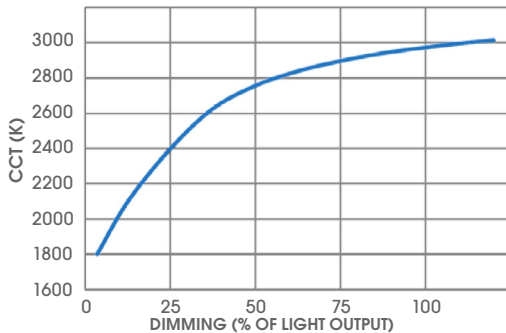
<sup>1</sup> Nominal Overall Length (OAL), field cuttable

<sup>2</sup> Specify RAL # for baffle, consult factory.

<sup>3</sup> Specify RAL # for canopy, stem and fixture, Black or White Cord only, consult factory.

Fixture Type
Project
Notes

### CCT DIMMING CURVE



### OPTIONAL EMERGENCY BATTERY PACK

#### EM-LIN

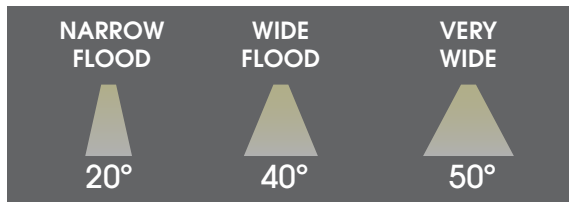
15W Remote Mounted Emergency Battery Back-Up



- Universal input 100-347V AC
- Battery protection for over-temperature, overcharge, over-discharge, and shorrcircuit
- Works with AC/DC sensor
- Self-testing monthly/yearly
- Meet CEC Title 20 standards
- Includes: Charging Indicator/Test Switch
- Handheld Remote Tester

### OPTICS

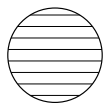
SELECT FROM 3 OPTIONS



Beam
<b>M-NF</b> - Narrow Flood 20°
<b>M-WL</b> - Flood 40°
<b>M-VW</b> - Very Wide 50°

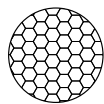
### LENS

SELECT FROM **LN** - NO LENS OR 3 OPTIONS



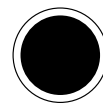
**Linear Lens**  
The linear spread elongates the beam for throwing light on a wall.

**LL** - Linear



**Hexcell Lens**  
The hex louver can be used for further glare reduction.

**LH** - Hexcell



**Softening Lens**  
The softening lens can be used for lighth diffusion.

**LS** - Softening

### BAFFLES

SELECT FROM 4 OPTIONS & RAL CUSTOM FINISHES



**Vortex Baffle**  
Advanced optics, casts a uniform and comfortable light without harsh shadows.



**Vortex Baffle**  
Provides focused lighting with no glare.



**VW** - Vortex White



**VB** - Vortex Black



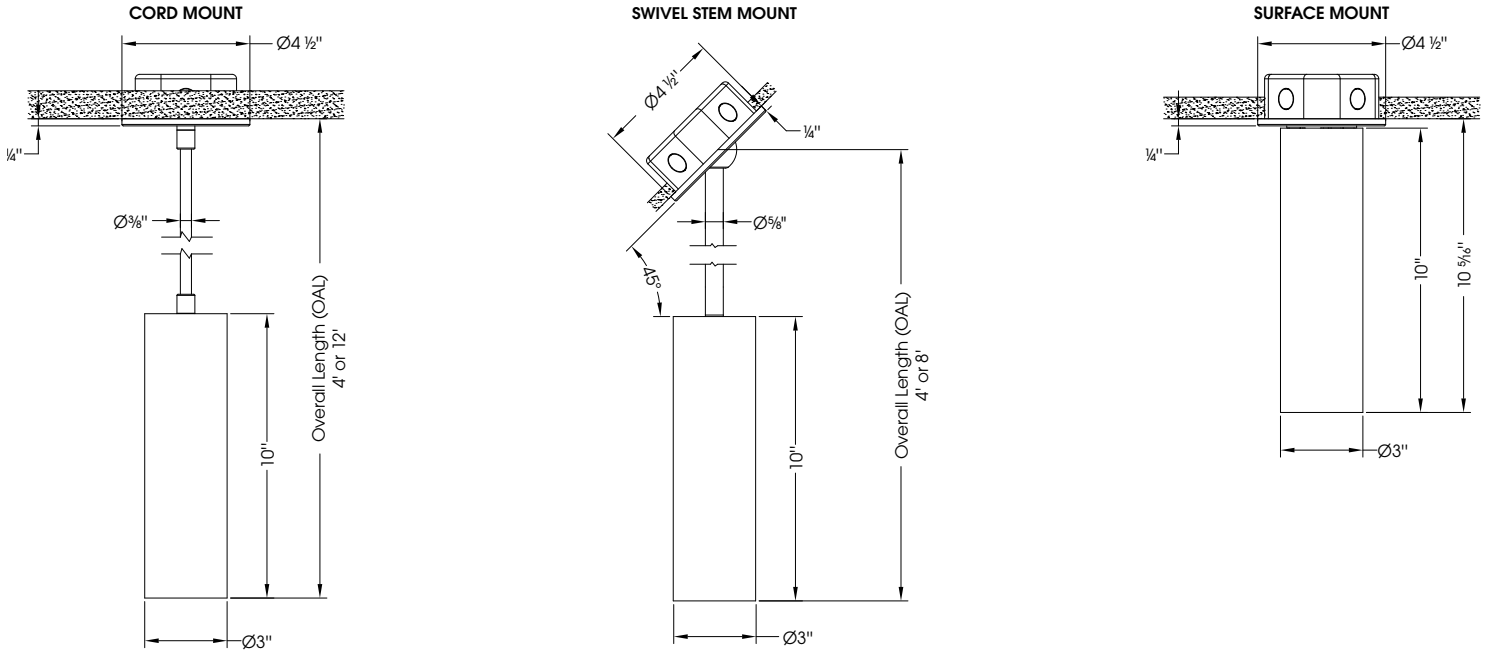
**VC** - Vortex Custom



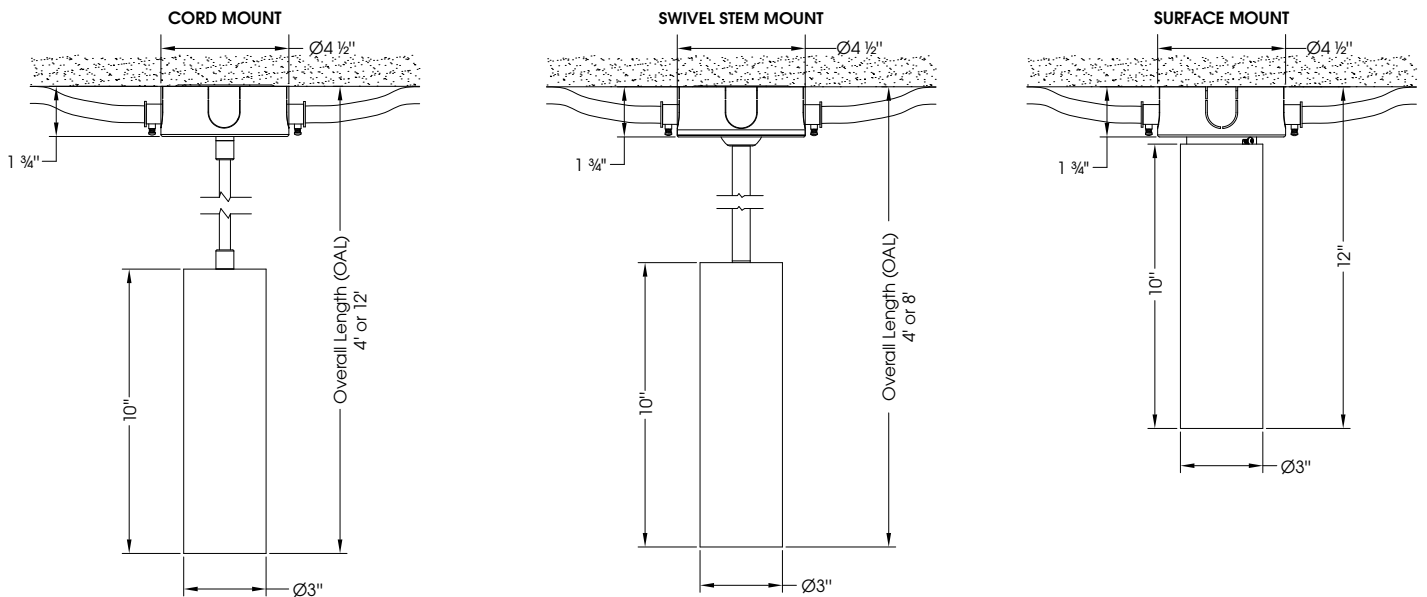
**CB** - Cross Black

Fixture Type
Project
Notes

### DIMENSIONS – RECESSED J-BOX



### DIMENSIONS – SURFACE J-BOX



Fixture Type
Project
Notes

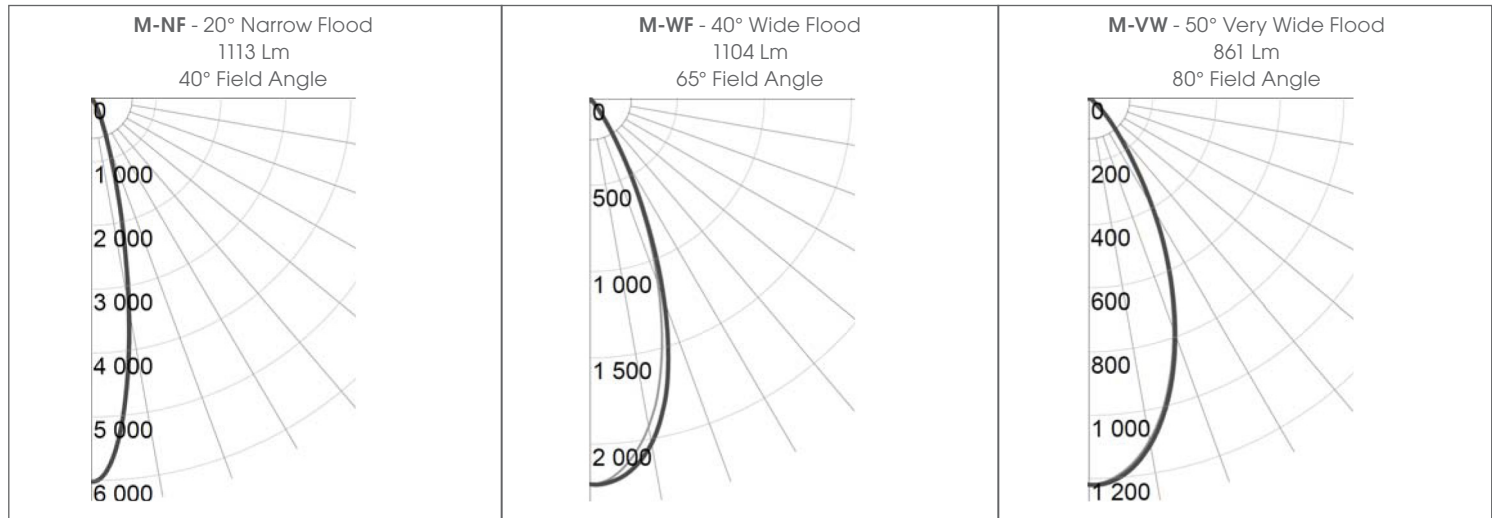
### APPLICATION DATA

Vortex Baffle (18W 3000K)

#### Multiplying Factors

WATTAGE	10W	14W	18W
FACTOR	0.56	0.78	1.00

LENS	No Lens	Linear	Hexcell	Softening
FACTOR	1.00	0.78	0.67	0.77



#### Candelas at Nadir

DEGREES	CANDELA
0	6012
5	5219
15	1639
25	357
35	90
45	20

DEGREES	CANDELA
0	2233
5	2193
15	1708
25	743
35	147
45	28

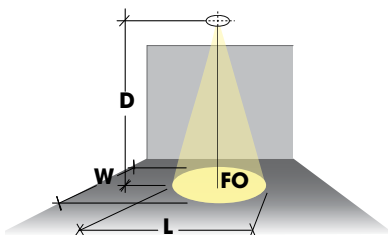
DEGREES	CANDELA
0	1219
5	1196
15	970
25	594
35	235
45	70

#### 0° Aiming Angle Horizontal Footcandles

D	FC	L	W
5.0'	240	1.9	1.9
7.5'	107	2.9	2.9
10.0'	60	3.8	3.8
12.5'	38	4.8	4.8

D	FC	L	W
5.0'	89	3.7	3.7
7.5'	40	5.5	5.5
10.0'	22	7.3	7.3
12.5'	14	9.1	9.1

D	FC	L	W
5.0'	49	4.7	4.7
7.5'	22	7.0	7.0
10.0'	12	9.3	9.3
12.5'	8	11.7	11.7



#### Notes and Definitions

Beam spread is to 50% center beam candlepower (CBCP).

**D** = Distance to floor or wall.

**FC** = Footcandles on floor or wall at center beam aiming location.

**L** = Effective Visual Beam length in feet (50% of maximum footcandle level).

**W** = Effective Visual Beam width in feet (50% of maximum footcandle level).

**CB** = Distance across or down to center beam location.

Fixture Type
Project
Notes

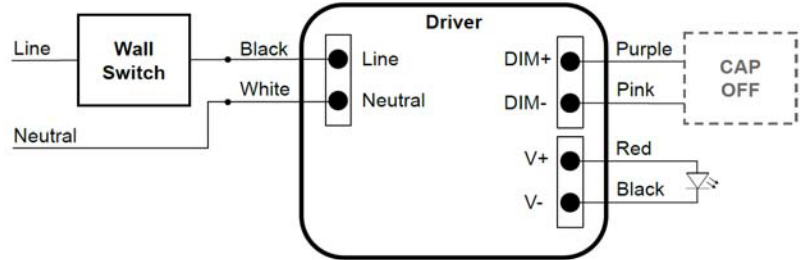
### WIRING DIAGRAM

#### No Dimming

Input 120VAC-277VAC 50/60Hz

**NOTE:**

Cap off unused wires individually.  
DO NOT cap together.

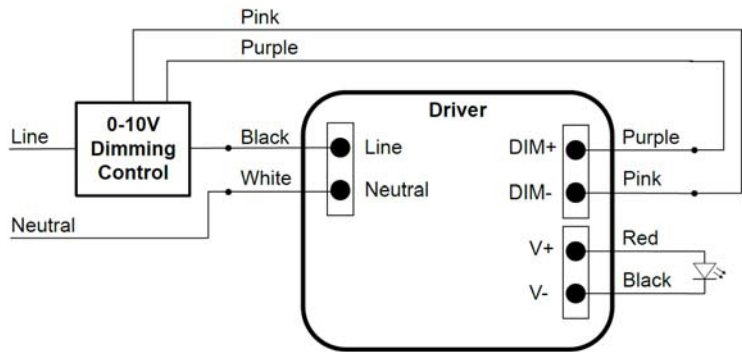


#### 0-10V Dimming

Input 120VAC-277VAC 50/60Hz  
Range 3%-100% dim to off

**NOTE:**

Cap off unused wires individually.  
DO NOT cap together.

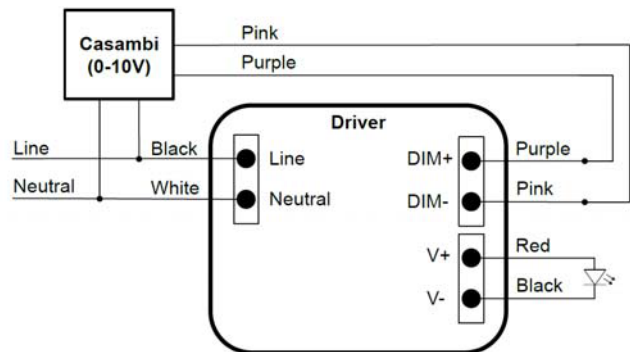


#### Casambi Dimming (CAS)

Input 120VAC-277VAC 50/60Hz  
Range 0.1%-100% dim to off

**NOTE:**

Cap off unused wires individually.  
DO NOT cap together.



JESCO recommends testing your unique dimming configuration as the exact full configuration (Dimmer, Fixture Quantity, Voltage, etc) may affect dimming performance. Diagrams are examples of typical installations. Refer to specific dimmer manufacturer's documentations for details.

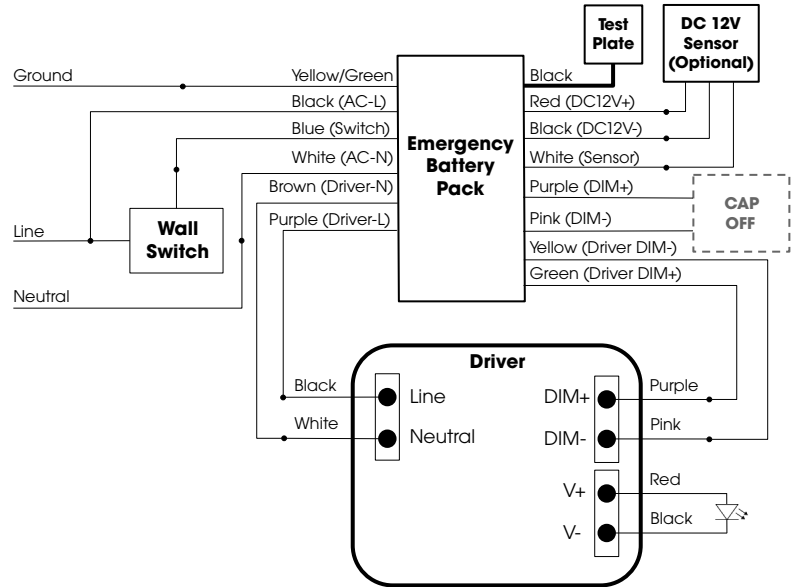
Fixture Type
Project
Notes

### EMERGENCY BATTERY PACK WIRING DIAGRAM

#### Non-Dimming (010)

Input 120VAC-277VAC 50/60Hz

NOTE: Cap off unused wires individually.  
DO NOT cap together.



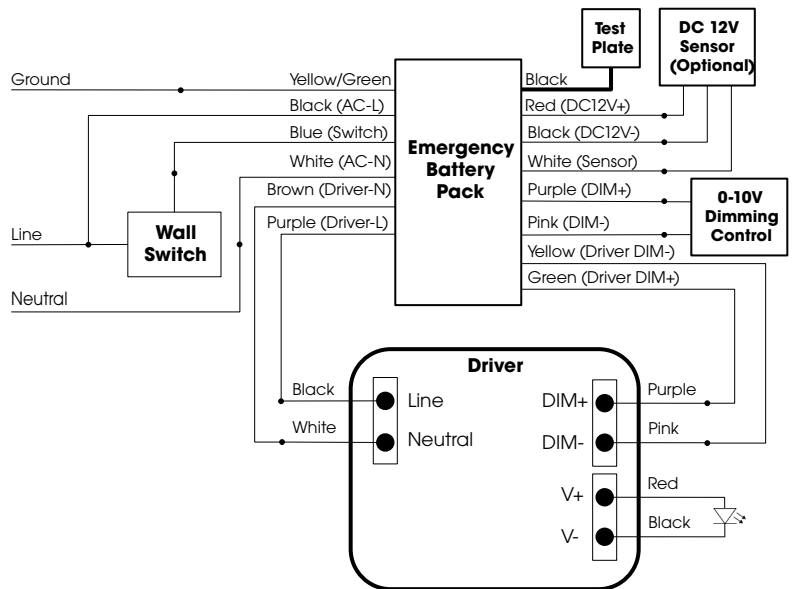
#### 0-10V Dimming (010)

Input 120VAC-277VAC 50/60Hz

Range 0.1% - 100% dim to off

NOTE: Cap off unused wires individually.  
DO NOT cap together.

Wall Switch and 0-10V dimmer may be one unit or two separate units



JESCO recommends testing your unique dimming configuration as the exact full configuration (Dimmer, Fixture Quantity, Voltage, etc) may affect dimming performance. Diagrams are examples of typical installations. Refer to specific dimmer manufacturer's documentations for details.