

# INSTALLATION INSTRUCTIONS



## ML5 MULTI-HEAD MODULAR SERIES WITH SWITCHABLE CCT

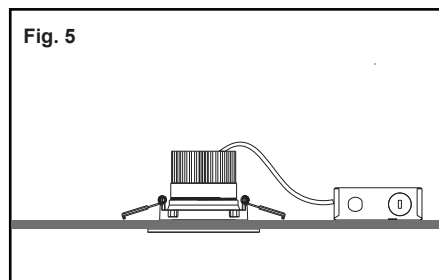
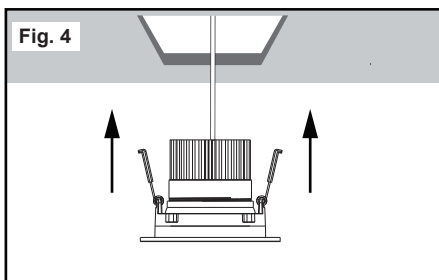
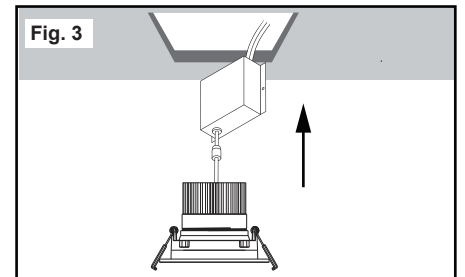
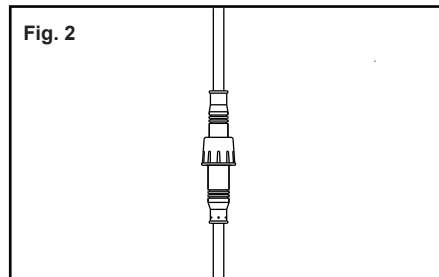
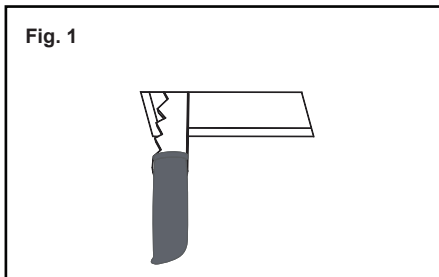
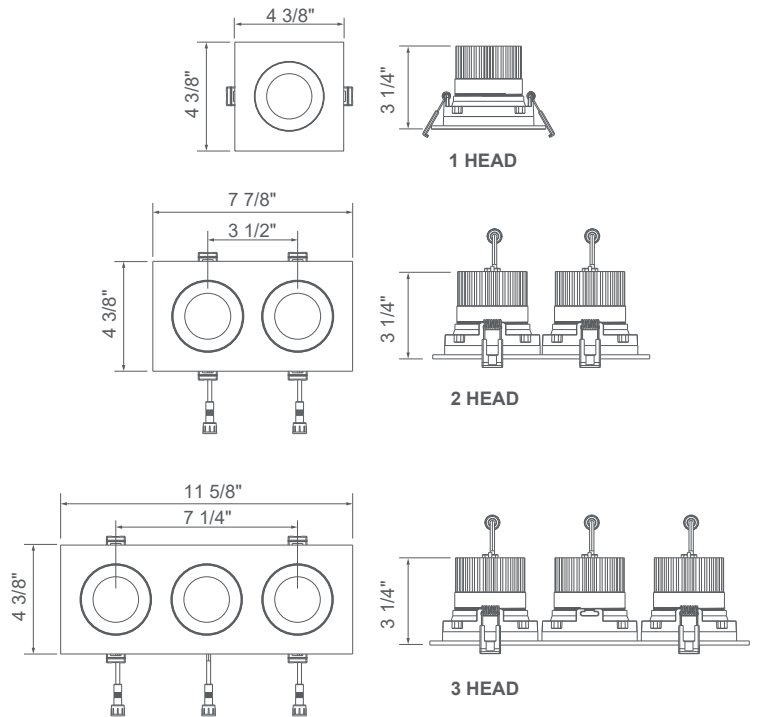
**WARNING:**  

**TURN THE POWER OFF FROM ELECTRICAL PANEL BEFORE INSTALLATION OR MAINTENANCE.**

- DO NOT MODIFY THIS FIXTURE. ANY MODIFICATIONS MAY RENDER THE PRODUCT UNSAFE AND VOID WARRANTY.
- THIS PRODUCT IS SUITABLE FOR WET LOCATIONS.

### FIXTURE INSTALLATION

- STEP 1.** Measure distance from walls and mark position of fixture to be installed on the ceiling.
- STEP 2.** Carefully scribe template in accordance to cut hole size on desired location.
- STEP 3.** Carefully cut hole in ceiling. (Fig. 1)
- STEP 4.** Electrical connections.
- STEP 5.** Select Color Temperature.
- STEP 6.** Connect hardwire box to engine by connecting the quick male and female connector. (Fig. 2)
- STEP 7.** Pass the hardwire box and attached bx cable through the hole and place on straight surface inside the ceiling cavity. (Fig. 3)
- STEP 8.** Push the spring clip up towards the LED engine. (Fig. 4)
- STEP 9.** Push the fixture through the hole until the trim is flush with the ceiling. Spring clip will retract to hold trim in place.



### Cut Hole Size

- 1-HEAD 3-3/4" Ø (95 mm Ø)
- 2-HEAD 7-3/8" x 3-3/4" (186 x 95 mm)
- 3-HEAD 11" x 3-3/4" (278 x 95 mm)

### Compatible Dimmers

BRAND	MODEL
COOPER	SI06P
LEVITON	6621, 6672, IPL06-10Z
LUTRON	PD-6WCL, DVCL-153P, SFTU-5A3P, DMD-LE3-D, CTCL-153P, DV-600P