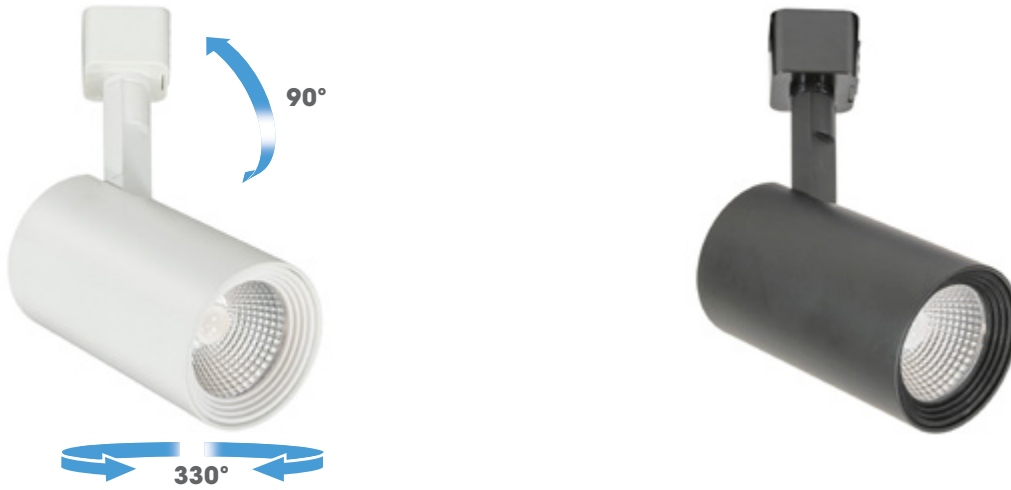


# L562S

120V LED TRACK LUMINAIRE  
SPOT TRACK LUMINAIRE



Fixture Type
Project
Notes



The **L562** series is a high-output LED track luminaire that features an adjustable head allowing the optimum positioning of light within a 90° vertical head rotation and a 330° horizontal rotation. It has a modern cylindrical design with no exposed wiring and no separate power supply housing. It is made from premium die-cast aluminum. Available in black or white finish and multiple optics for different beam angles.

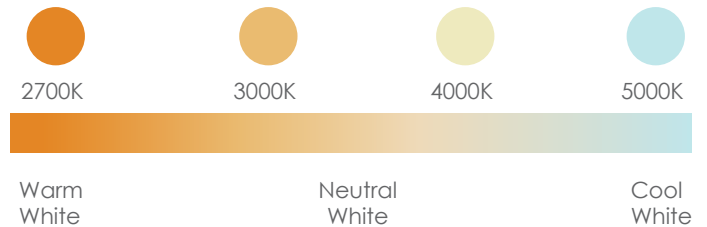


## SPECIFICATIONS

INPUT VOLTAGE	120V AC
WATTAGE	12 W
LUMENS	840 Lm @4000K
CRI	90+
BEAM ANGLE	15°, 24°, 40°
DIMMING <sup>1</sup>	TRIAC Dimming
DIMENSIONS	2 1/2" Ø x 7 1/2" L (63.5 x 191 mm)
HORIZONTAL AIM	330°
VERTICAL AIM	90°
ENVIRONMENT	Indoor - Dry
CERTIFICATIONS	cETLus
LUMEN MAINTENANCE	50,000 hours
WARRANTY <sup>2</sup>	5 years

<sup>1</sup> Effectively dim down to 10%  
<sup>2</sup> See published warranty terms for detailed information

## COLOR TEMPERATURE



## ORDERING INFO

SYSTEM	SERIES	CCT / CRI	BEAM ANGLE	FINISH
<b>H2</b> - H1 or H2 track	<b>L562S</b> - 2 1/2" Ø	<b>2790</b> - 2700K / 90 CRI	<b>15D</b> - 15°	<b>BK</b> - Black
<b>J2</b> - J1 or J2 track		<b>3090</b> - 3000K / 90 CRI	<b>24D</b> - 24°	<b>WH</b> - White
<b>L2</b> - L1 or L2 track		<b>4090</b> - 4000K / 90 CRI	<b>40D</b> - 40°	
		<b>5090</b> - 5000K / 90 CRI		

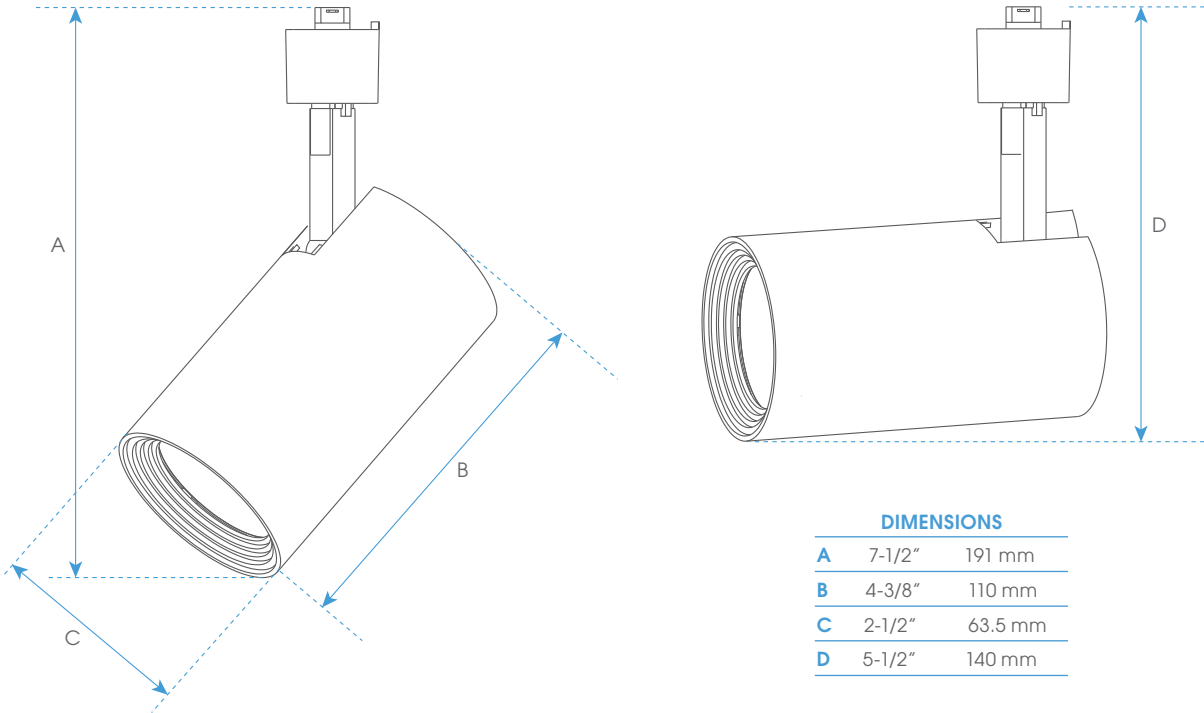
# L562S

120V LED TRACK LUMINAIRE  
SPOT TRACK LUMINAIRE



Fixture Type
Project
Notes

## TECHNICAL DRAWING



DIMENSIONS		
A	7-1/2"	191 mm
B	4-3/8"	110 mm
C	2-1/2"	63.5 mm
D	5-1/2"	140 mm

## COMPATIBLE DIMMERS

COOPER	SAL06P
LEVITON	6672, 6674, IPL06
LUTRON	TGCL-153PH, LGCL-153PH, MACL-153M, DVCL-153P, CTCL-153P
PASS & SEYMOUR	HCL453P