

# INSTALLATION INSTRUCTIONS



## SAVE THESE INSTRUCTIONS

**IMPORTANT SAFETY INSTRUCTIONS:** When installing or using the track system, basic safety precautions should always be followed, including the following:

1. Read all instructions before attempting to install the item.
2. Make certain power is off the main electrical panel before starting installation or attempting any maintenance.
3. Do not install this lighting system in a damp or wet location.
4. Ensure the appropriate track connector is matched up with its compatible track rail.
5. Do not install any part of the track system less than 5 feet above the floor.
6. Do not install any luminaire assembly closer than 6 inches from any curtain, or similar combustible material.
7. Do not attempt to energize anything other than lighting track luminaires on the track. To reduce the risk of fire and electric shock, do not attempt to connect power tools, extension cords, appliances, and the like to the track.

**Note:** Identify track connector–rail combination and follow appropriate instructions below.

### J Series: (Fig. 1)

#### FOR USE WITH J1 or J2 TRACK SYSTEM ONLY

For 2-circuit track, install clip

1. Place the connector into track groove and make sure that the side with the locking clip is opposite the polarity groove on the track.
2. Push towards track and turn counter clockwise 90°.
3. To remove the fixture, pull the locking clip downwards (away from the track) and turn clockwise 90°.
4. Once assembly is complete, turn on power to confirm fixture is working properly.

### L Series: (Fig. 2)

#### FOR USE WITH L1 or L2 TRACK SYSTEM ONLY

1. Place the connector into track groove and make sure that the side with the locking clip is opposite the polarity groove on the track.
2. Push towards track and turn counter clockwise 90°.
3. To remove the fixture, pull the locking clip downwards (away from the track) and turn clockwise 90°.
4. Once assembly is complete, turn on power to confirm fixture is working properly.

### H Series: (Fig. 3)

#### FOR USE WITH H1 or H2 TRACK SYSTEM ONLY

1. Place the connector into track groove and make sure that the side with the locking clip is opposite the polarity groove on the track.
2. Push towards track and turn counter clockwise 90°.
3. To remove the fixture, pull the locking clip downwards (away from the track) and turn clockwise 90°.
4. Once assembly is complete, turn on power to confirm fixture is working properly.

## SAFETY PRECAUTIONS



**FOR SAFETY, READ AND UNDERSTAND INSTRUCTIONS COMPLETELY BEFORE STARTING INSTALLATION. ELECTRICITY SHOULD BE TURNED OFF AT THE FUSE OR THE CIRCUIT BREAKER BOX BEFORE INSTALLING THE FIXTURE. ALL ELECTRICAL CONNECTIONS MUST BE IN ACCORDANCE WITH N. E. C. OR YOUR LOCAL CODE.**



### CAUTION: RISK OF ELECTRIC SHOCK

**DISCONNECT POWER BEFORE OR CIRCUIT BREAKER BEFORE INSTALLING OR SERVICING.**

Fig. 1

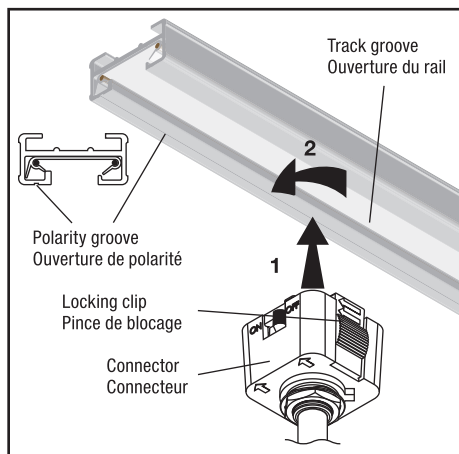


Fig. 2

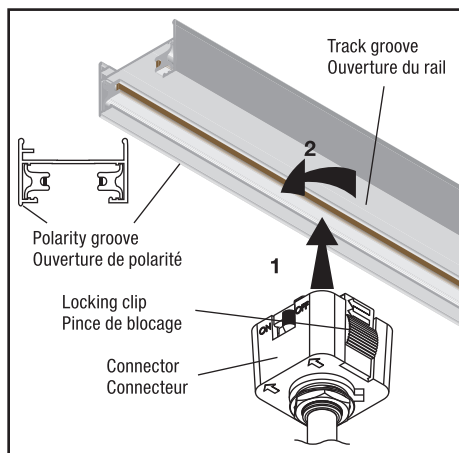


Fig. 3

