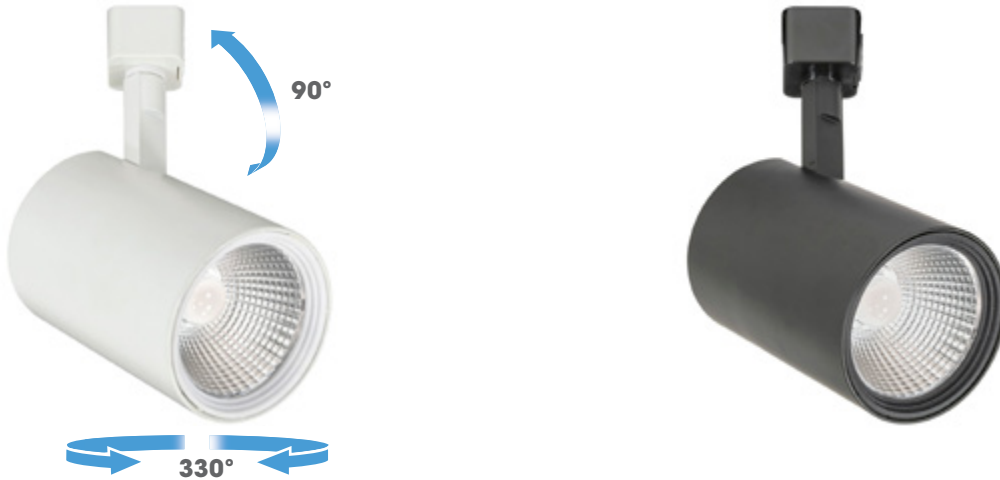


L562M

120V LED TRACK LUMINAIRE
SPOT TRACK LUMINAIRE



| |
|--------------|
| Fixture Type |
| Project |
| Notes |



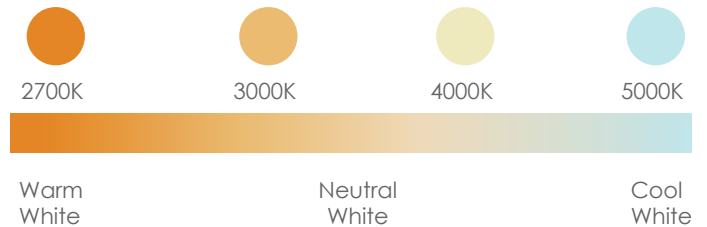
The **L562** series is a high-output LED track luminaire that features an adjustable head allowing the optimum positioning of light within a 90° vertical head rotation and a 330° horizontal rotation. It has a modern cylindrical design with no exposed wiring and no separate power supply housing. It is made from premium die-cast aluminum. Available in black or white finish and multiple optics for different beam angles.



SPECIFICATIONS

| | |
|-----------------------|-------------------------------------|
| INPUT VOLTAGE | 120V AC |
| WATTAGE | 22 W |
| LUMENS | 1900 Lm @4000K |
| CRI | 90+ |
| BEAM ANGLE | 15°, 24°, 38° |
| DIMMING ¹ | TRIAC Dimming |
| DIMENSIONS | 3 1/4" Ø x 7 1/2" L (81.5 x 191 mm) |
| HORIZONTAL AIM | 330° |
| VERTICAL AIM | 90° |
| ENVIRONMENT | Indoor - Dry |
| CERTIFICATIONS | cETLus |
| LUMEN MAINTENANCE | 50,000 hours |
| WARRANTY ² | 5 years |

COLOR TEMPERATURE



ORDERING INFO

| SYSTEM | SERIES | CCT / CRI | BEAM ANGLE | FINISH |
|----------------------------|-------------------------|------------------------------|------------------|-------------------|
| H2 - H1 or H2 track | L562M - 3 1/4" Ø | 2790 - 2700K / 90 CRI | 15D - 15° | BK - Black |
| J2 - J1 or J2 track | | 3090 - 3000K / 90 CRI | 24D - 24° | WH - White |
| L2 - L1 or L2 track | | 4090 - 4000K / 90 CRI | 38D - 38° | |
| | | 5090 - 5000K / 90 CRI | | |

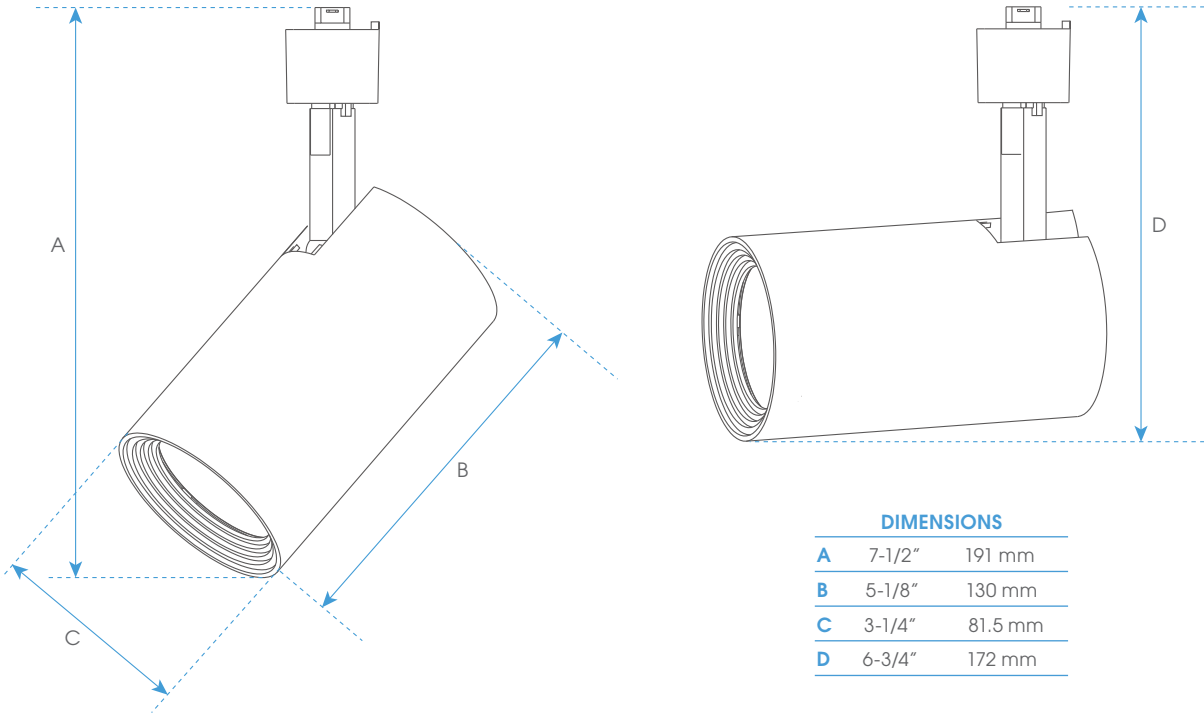
L562M

120V LED TRACK LUMINAIRE
SPOT TRACK LUMINAIRE



| |
|--------------|
| Fixture Type |
| Project |
| Notes |

TECHNICAL DRAWING



| DIMENSIONS | | |
|------------|--------|---------|
| A | 7-1/2" | 191 mm |
| B | 5-1/8" | 130 mm |
| C | 3-1/4" | 81.5 mm |
| D | 6-3/4" | 172 mm |

COMPATIBLE DIMMERS

| | |
|----------------|---|
| COOPER | SAL06P |
| LEVITON | 6672, 6674, IPL06 |
| LUTRON | TGCL-153PH, LGCL-153PH, MACL-153M, DVCL-153P, CTCL-153P |
| PASS & SEYMOUR | HCL453P |