



## PD 832 • MADISON

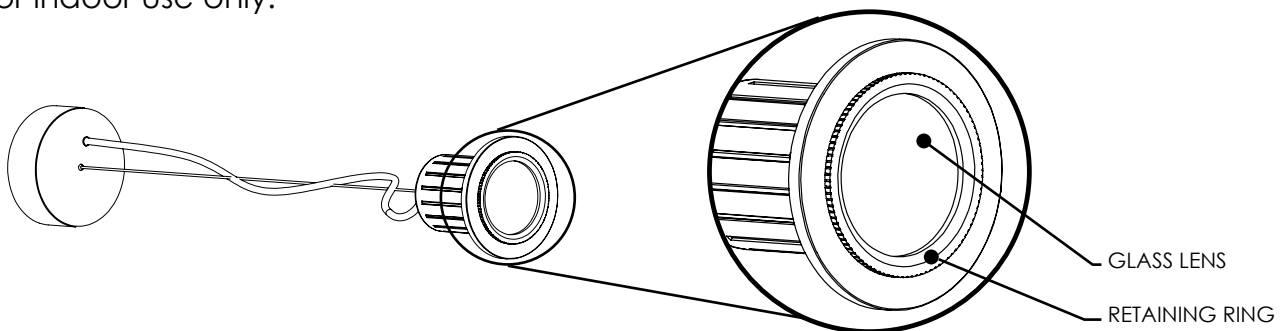
Decorative Pendant  
Line Voltage LED Pendant

### INSTALLATION INSTRUCTIONS

Please read and save these instructions. Read carefully before using product. Protect yourself and others by observing all safety information, warnings and cautions. Failure to comply with instructions could result in personal injury and/or damage to product or property. Please retain instruction sheet for future reference.

#### **IMPORTANT SAFETY INSTRUCTIONS**

1. Read and follow all safety instructions.
2. Read completely before beginning. If you feel you do not have adequate electrical wiring experience, have this installed by a qualified licensed electrician.
3. All electrical connections must be in accordance with local codes, ordinances and the National Electric Code. This product operates on 120 VAC; always confirm the maximum wattage of the product does not exceed the maximum wattage of the circuit it is connected to. If you are unfamiliar with methods of installing electrical wiring, secure the services of a qualified licensed electrician.
4. NEVER remove the lens covering the LED module.
5. Inspect the wire insulation for any cuts, abrasions or exposed copper that may have resulted during shipping. Do not install the product if any damage is seen on the product or power cables.
6. Prior to starting the installation, disconnect the power by turning off the circuit breaker or removing the appropriate fuse. (Turning off power using the light switch is not sufficient to prevent electrical shock).
7. For indoor use only.



#### **NEVER REMOVE GLASS LENS AND RETAINING RING**

Removing or tempering with glass lens or retaining ring will result in voiding the product warranty and

**RISK OF ELECTRICAL SHOCK AND DAMAGING THE PRODUCT.**



# PD 832 • MADISON

Decorative Pendant  
Line Voltage LED Pendant

## INSTALLATION INSTRUCTIONS



### TURN OFF ELECTRICITY

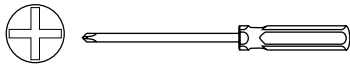
at main fuse box (or circuit breaker box) before beginning installation by switching circuit breaker off or removing fuse.

MIN 90° C SUPPLY CONDUCTORS.



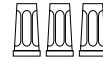
**CONSULT A QUALIFIED ELECTRICIAN TO ENSURE CORRECT BRANCH CIRCUIT**

### TOOLS REQUIRED

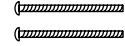


PHILLIPS SCREWDRIVER

### HARDWARE INCLUDED

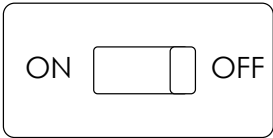


WIRE NUTS



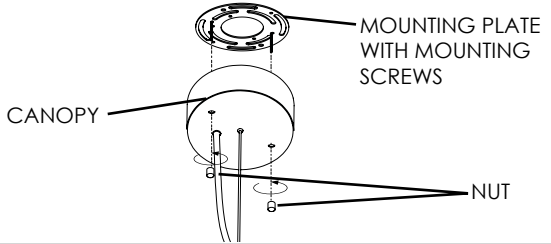
OUTLET BOX SCREWS

**1**



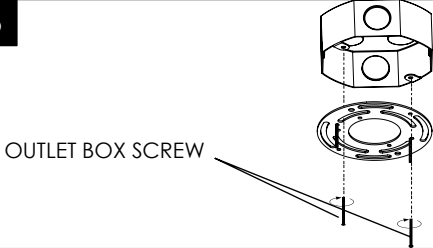
**TURN OFF ELECTRICITY AT MAIN FUSE BOX**

**2**



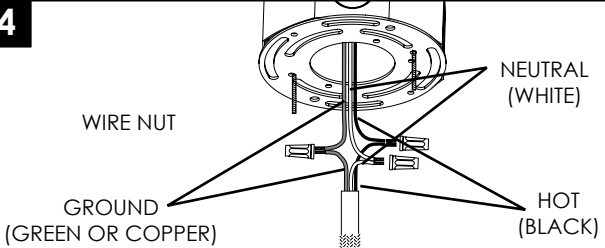
**UNSCREW NUT ON CANOPY TO REMOVE MOUNTING PLATE WITH MOUNTING SCREWS FROM CANOPY. SAVE NUTS FOR LATER USE.**

**3**



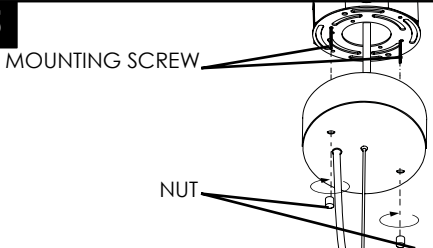
**SECURE MOUNTING PLATE TO OUTLET BOX WITH INCLUDED OUTLET BOX SCREWS.**

**4**



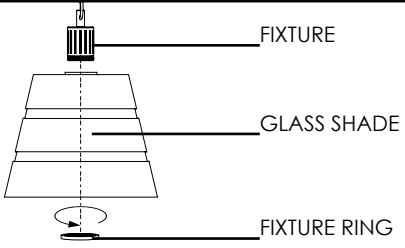
**SECURE WIRE CONNECTIONS, WHITE TO WHITE, BLACK TO BLACK, GROUND TO GROUND WITH A WIRE NUT. CAREFULLY TUCK CONNECTED WIRES AND WIRE NUTS INTO THE OUTLET BOX.**

**5**



**SECURE CANOPY TO MOUNTING PLATE BY TIGHTENING NUTS TO MOUNTING SCREWS**

**6**



**BRING GLASS SHADE UP TO FIXTURE AND SECURE GLASS SHADE BY TIGHTENING FIXTURE RING TO FIXTURE. TURN POWER BACK ON.**