

# ENVISAGE VII

**LED PENDANTS, WALL SCONCES  
AND BACK-LIT MIRRORS**





JESCO Lighting's Envisage VII Collection offers a range of minimalist, contemporary and avant-garde designs for commercial and residential applications. The luminaires are designed to meet a wide range of interior application requirements and client needs.

The Madison series features cased glass in either White or Black, with transparent cut-outs to allow light to radiate.

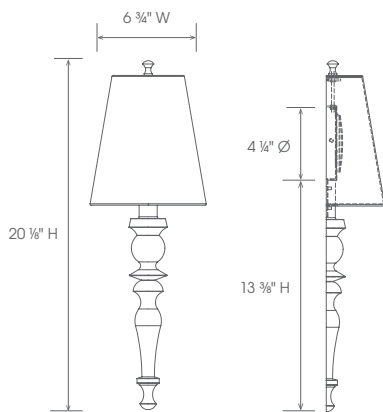
The Brighton and Soho fixtures make a design statement in any space. While providing a wonderfully luminous glow of light, they also make a memorable decorative statement on any wall.

All the pendants and sconces are powered by JESCO's proprietary driverless AC LEDs which remove the weakest link in the lighting system. Besides guaranteeing a long lifetime, the AC LEDs allow for easy installation, simple dimming and code compliant energy savings.

## APPLICATIONS:

- Homes, condominiums, apartments.
- Hotel lobbies, guest rooms, hallways.
- Office entryways, corridors, meeting rooms, executive offices.
- General office work areas, showroom spaces.
- Restaurants, bars, private clubs, health spas.
- Decorative and general lighting in retail stores.
- Physician, hospital and clinic waiting areas, workstations, offices.

**SOHO** adds contemporary chic to a traditional wall sconce. With a high-gloss polymer body, the luminaire evokes a traditional woodturned torch-shape fixture. The fixture is powered by integrated 120V AC LEDs that eliminate the need for a driver, thereby guaranteeing a long lifetime of use. Black and White opaque half-shades project light up and down. These ADA compliant wall sconces are dimmable with any Triac or ELV dimmers.



## WS850 • SOHO

LINE VOLTAGE ADA LED WALL SCONCE

|     |         |    |        |         |         |     |     |        |
|-----|---------|----|--------|---------|---------|-----|-----|--------|
| LED | 120V AC | 8W | 385 Lm | 46 Lm/W | 90+ CRI | DIM | DRY | ETL US |
|-----|---------|----|--------|---------|---------|-----|-----|--------|

**Input:** 120V AC

**Dimming:** Incandescent/Triac, ELV

**CCT:** 2700K, 3000K

Lumen data based on fixture with shade and 3000K, 90+ CRI LED

## TO ORDER

| MODEL | - CCT/CRI           | - FINISH   |
|-------|---------------------|------------|
| WS850 | -                   | -          |
|       | 2790 - 2700K, 90CRI | BK - Black |
|       | 3090 - 3000K, 90CRI | WH - White |

# ENVISAGE VII • MADISON WALL SCONCE

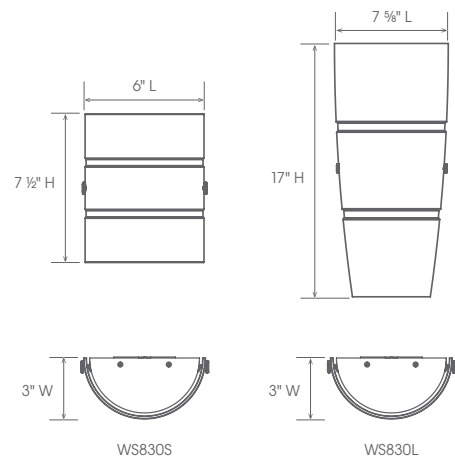


WS830L



WS830S

The handcrafted glass **MADISON Wall Sconce** comes in two sizes - small and large. Available in two styles: Black, opaque, triplex cased glass with white translucent cut-outs and matte black hardware or White, opaque, cased glass with white translucent cut-outs and satin nickel hardware. White light, in color temperatures of 2700K or 3000K, is focused up and down but also radiates through the translucent cut-outs. Engineered with a built-in heat sink to ensure a long lasting lifespan of its state-of-the-art JESCO driverless AC LED. The wall sconces may be dimmed with a standard Triac or ELV dimming control.



## WS830S • MADISON

LINE VOLTAGE ADA LED WALL SCONCE

|     |         |    |        |         |         |     |          |        |
|-----|---------|----|--------|---------|---------|-----|----------|--------|
| LED | 120V AC | 8W | 587 Lm | 75 Lm/W | 90+ CRI | DIM | DRY DAMP | ETL US |
|-----|---------|----|--------|---------|---------|-----|----------|--------|

**Input:** 120V AC  
**Dimming:** Incandescent/Triac, ELV  
**CCT:** 2700K, 3000K



## WS830L • MADISON

LINE VOLTAGE ADA LED WALL SCONCE

|     |         |    |        |         |         |     |          |        |
|-----|---------|----|--------|---------|---------|-----|----------|--------|
| LED | 120V AC | 9W | 576 Lm | 64 Lm/W | 90+ CRI | DIM | DRY DAMP | ETL US |
|-----|---------|----|--------|---------|---------|-----|----------|--------|

**Input:** 120V AC  
**Dimming:** Incandescent/Triac, ELV  
**CCT:** 2700K, 3000K

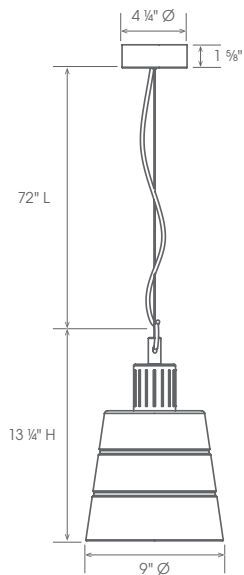
Lumen data based on fixture with white glass and 3000K, 90+ CRI LED

## TO ORDER

| MODEL  | - CCT/CRI           | - FINISH                                  |
|--------|---------------------|---|
| WS830S | 2790 - 2700K, 90CRI | WHSN - White Glass, Satin Nickel Fittings |
| WS830L | 3090 - 3000K, 90CRI | BKBK - Black Glass, Black Fittings        |

WARNING: Cancer and Reproductive Harm - www.P65Warnings.ca.gov

The **MADISON Pendant** is made of handcrafted glass and is suitable for a multitude of design settings. Available in two styles: Black, opaque, triplex cased glass with white translucent cut-outs and matte black hardware matched with a vibrant red braided cord or White, opaque, cased glass with white translucent cut-outs and satin nickel hardware matched with a grey braided cord. White light, in color temperatures of 2700K or 3000K, is focused downward but also radiates through the translucent cut-outs. The fixture is suspended by an adjustable aircraft cable. Engineered with a built-in heat sink to ensure a long lasting lifespan of its state-of-the-art JESCO driverless AC LED. The pendant may be dimmed with a standard Triac or ELV dimming control.



## PD832 • MADISON

LINE VOLTAGE LED PENDANT

|     |         |     |        |         |         |     |     |        |
|-----|---------|-----|--------|---------|---------|-----|-----|--------|
| LED | 120V AC | 11W | 597 Lm | 54 Lm/W | 90+ CRI | DIM | DRY | ETL US |
|-----|---------|-----|--------|---------|---------|-----|-----|--------|

**Input:** 120V AC

**Dimming:** Incandescent/Triac, ELV

**CCT:** 2700K, 3000K

Lumen data based on fixture with white glass and 3000K, 90+ CRI LED

## TO ORDER

| MODEL | CCT/CRI                                    | FINISH  |
|-------|--|---|
| PD832 | 2790 - 2700K, 90CRI<br>3090 - 3000K, 90CRI | WHSN - White Glass,<br>Satin Nickel Fittings<br>BKBK - Black Glass,<br>Black Fittings |

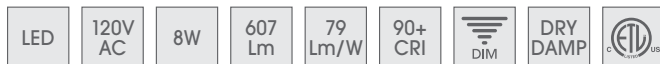
# ENVISAGE VII • BRIGHTON WALL SCONCE



The **BRIGHTON**, a sleek horizontally or vertically mounted wall sconce, features a minimalist cylindrical form. The frosted glass provides functional, softly diffused ambient/accent interior lighting in an understated, crisp, architectural aesthetic. An internal built-in heat sink ensures a long lifespan for the state-of-the-art 120-volt AC LEDs. The fixtures are dimmable with Triac incandescent or ELV dimmers, and are ADA compliant.

## WS825S • BRIGHTON

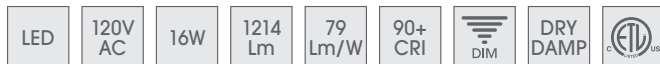
LINE VOLTAGE ADA LED WALL SCONCE



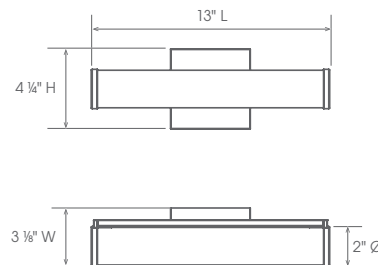
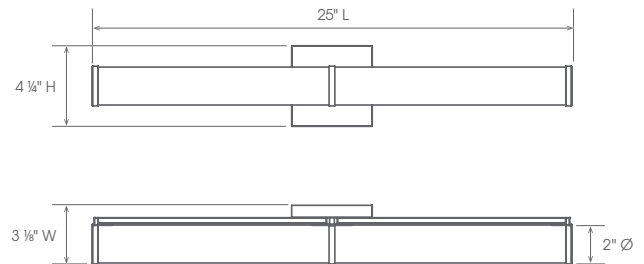
**Input:** 120V AC  
**Dimming:** Incandescent/Triac, ELV  
**CCT:** 2700K, 3000K

## WS825L • BRIGHTON

LINE VOLTAGE ADA LED WALL SCONCE



**Input:** 120V AC  
**Dimming:** Incandescent/Triac, ELV  
**CCT:** 2700K, 3000K  
 Lumen data based on 3000K, 90+ CRI LED



## TO ORDER

| MODEL  | - CCT/CRI           | - FINISH          |
|--------|---------------------|-------------------|
| WS825S | 2790 - 2700K, 90CRI | SN - Satin Nickel |
| WS825L | 3090 - 3000K, 90CRI | CH - Chrome       |
|        |                     | BZ - Bronze       |

WARNING: Cancer and Reproductive Harm - www.P65Warnings.ca.gov







Envisage Back-Lit Mirrors are available in two energy-conserving choices: LED or T5 linear fluorescent light sources. Both provide abundant white light at very low wattage with long maintenance-free operating lives.

Mirrors are manufactured with a copper-free process which provides excellent resistance to humidity and corrosion.

Special diffusion and glazing of the glass makes light output more effective, optimizing viewer comfort. Light placement behind the mirror provides ease of cleaning and eliminates damage typical to exposed light sources.

JESCO's capabilities include manufacturing back-lit LED mirrors in a wide variety of sizes, shapes and color temperatures. We can also provide front-view, edge-lit or other combinations of lighting options. Consult your local sales representative to discuss all our customized options.

The visually appealing geometric designs of these mirrors add value to any interior décor. The mirrors also provide high functionality, flattering visual clarity and make a lasting design statement.

## APPLICATIONS

- Restrooms in restaurants, bars, hotels, guest rooms, locker rooms.
- Bathrooms in hospitals, assisted living and long-term care facilities.
- Lobbies and corridors in hotels, office buildings, restaurants.
- Fitting rooms in clothing stores, tailors, dressmakers.
- Bathrooms, walk-in closets, entries, corridors, bedrooms, living rooms in fine residences.



WARNING: Cancer and Reproductive Harm - www.P65Warnings.ca.gov



## BLML 212 30

LED BACK-LIT MIRROR

Rectangular Cut-Out

|     |             |     |     |      |        |
|-----|-------------|-----|-----|------|--------|
| LED | 100-240V AC | 27W | ADA | IP20 | ETL US |
|-----|-------------|-----|-----|------|--------|

CCT: 3000K

Dims: 39" H x 27 1/2" W x 1 5/8" D

Weight: 53 lb. (24 kg.)

## BLM 262 30

FLUORESCENT BACK-LIT MIRROR

Rectangular Cut-Out

|    |         |     |     |      |           |
|----|---------|-----|-----|------|-----------|
| T5 | 120V AC | 70W | ADA | IP20 | UL LISTED |
|----|---------|-----|-----|------|-----------|

CCT: 3000K

Lamp: (2) T5 14W, (2) T5 21W, 3000K (Included)

Dims: 39" H x 27 1/2" W x 1 5/8" D

Weight: 51 lb. (23 kg.)



BLML 212 30 Shown unlit.



## BLML 213 30

LED BACK-LIT MIRROR

Rectangular Cut-Out

|     |             |        |
|-----|-------------|--------|
| LED | 100-240V AC | 38W    |
| ADA | IP20        | ETL US |

CCT: 3000K

Dims: 63" H x 27 1/2" W x 1 5/8" D

Weight: 86 lb. (39 kg.)



## BLML 211 30

LED BACK-LIT MIRROR

Two Vertical Cut-Outs

|      |             |     |     |
|------|-------------|-----|-----|
| LED  | 100-240V AC | 11W | ADA |
| IP20 | ETL US      |     |     |

CCT: 3000K

Dims: 27 1/2" H x 19 3/4" W x 1 5/8" D

Weight: 28 lb. (12.7 kg.)

## BLM 261 30

FLUORESCENT BACK-LIT MIRROR

Two Vertical Cut-Outs

|      |           |     |     |
|------|-----------|-----|-----|
| T5   | 120V AC   | 28W | ADA |
| IP20 | UL LISTED |     |     |

CCT: 3000K

Lamp: (2) T5 14W, 3000K (Included)

Dims: 27 1/2" H x 19 3/4" W x 1 5/8" D

Weight: 27 lb. (12 kg.)



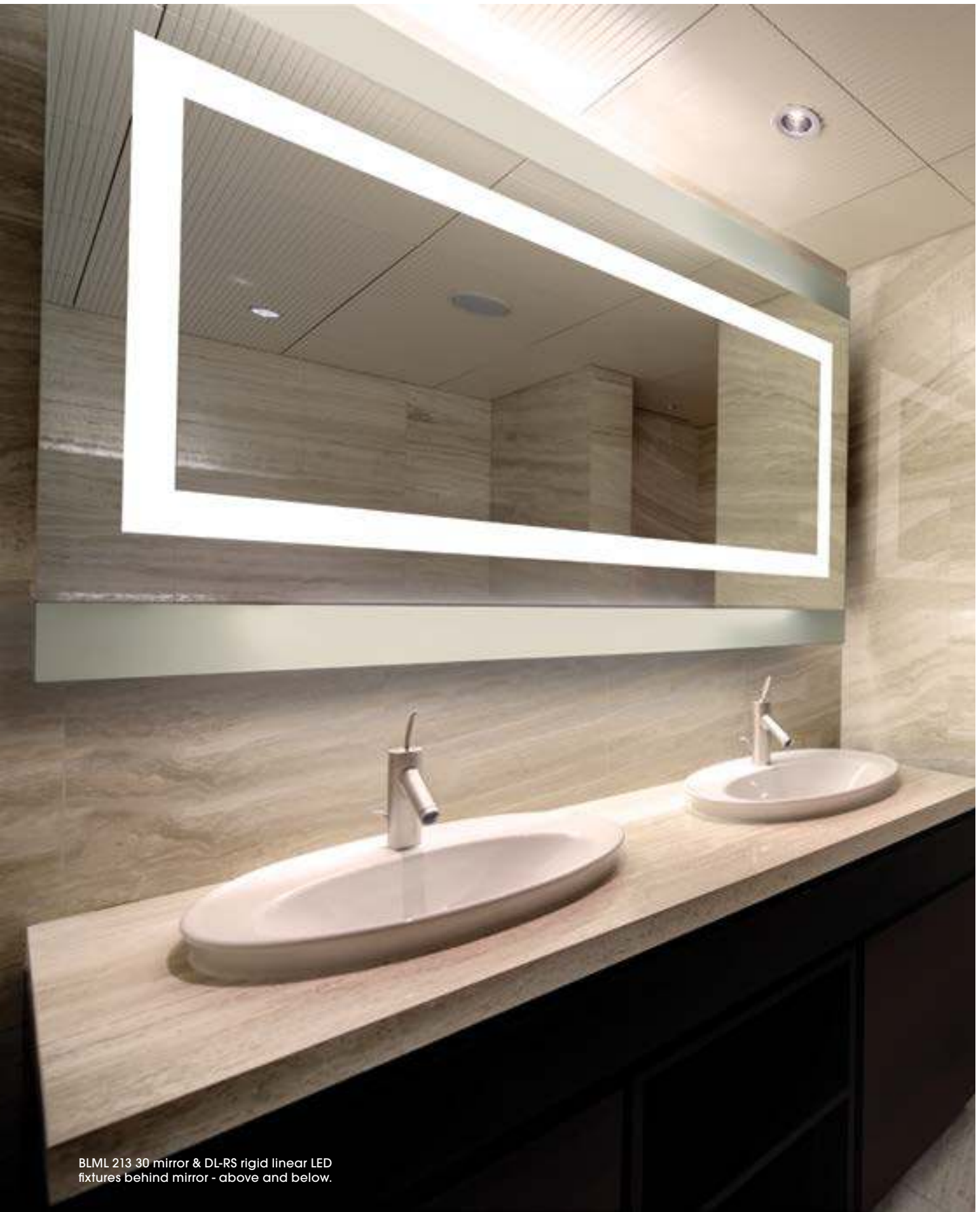
BLML 211 30 Shown unlit.

Note: Mirrors may be mounted vertically or horizontally.

Custom sizes and options available. Contact JESCO for more information.

Specifications subject to change without notice. See spec sheet or visit [jescolighting.com](http://jescolighting.com) for more details.

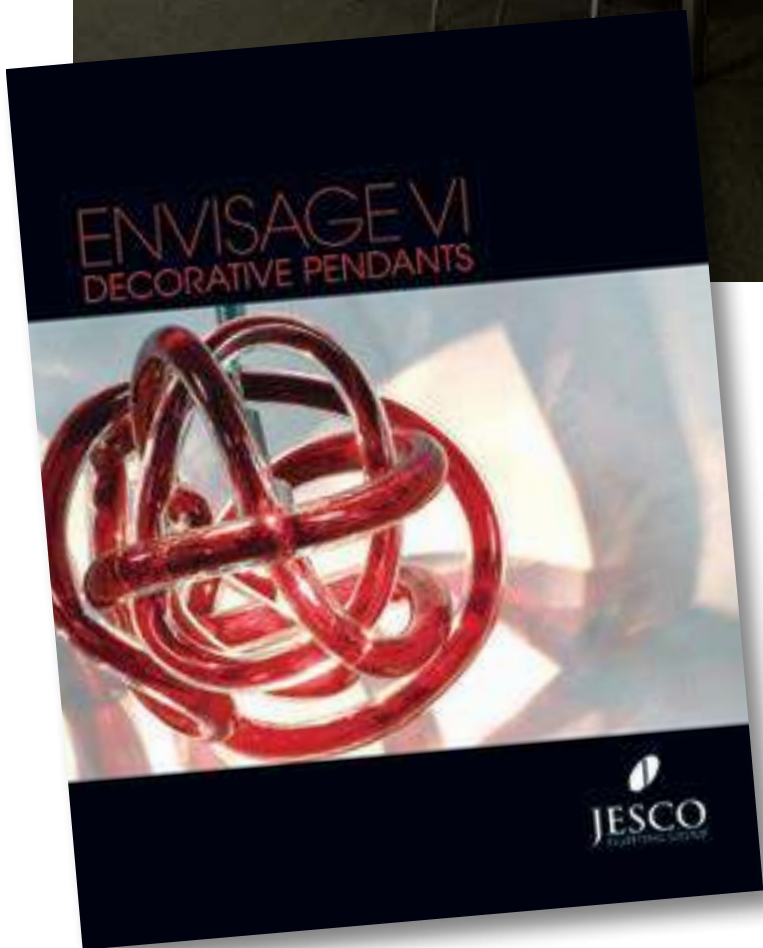
# BACK-LIT MIRRORS



BLML 213 30 mirror & DL-RS rigid linear LED fixtures behind mirror - above and below.



JESCO conference room in the Dallas Trade Mart Building



For additional decorative pendant options, request JESCO's **ENVISAGE VI** Decorative Pendant catalog.

The catalog features an impressive collection of distinctive lighting that represents true glass-making artistry incorporating many one-of-a-kind shapes and styles as well as unique techniques such as hand-blowing or hand-chiseling.

The pendants are available with integrated, driverless, AC LED as well as low and line voltage lamping.



For more details and product specifications please visit  
[JESCOLIGHTING.COM](http://JESCOLIGHTING.COM)



**NEW YORK  
CORPORATE OFFICE**

15 Harbor Park Drive  
Port Washington NY 11050  
TEL 800 527 7796  
FAX 855 265 5768

**LOS ANGELES**

219 South 6th Avenue  
City Of Industry CA 91746  
TEL 626 333 3661  
TEL 855 654 0110  
FAX 626 333 2955

**DALLAS SHOWROOM**

**Dallas Trade Mart**  
Showroom TM 4313  
2100 N. Stemmons Freeway  
Dallas TX 75207

[JESCOLIGHTING.COM](http://JESCOLIGHTING.COM)  
[info@jescolighting.com](mailto:info@jescolighting.com)

© 2017 JESCO LIGHTING

LCAT-ENVISAGE-7

