



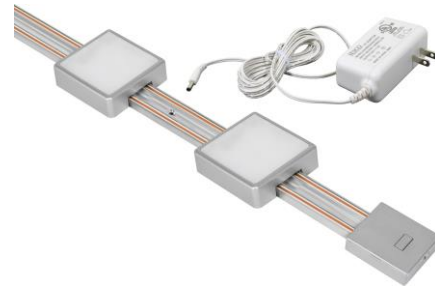
Radianz Track Mount

COVE / CABINET / SHOWCASE / DISPLAY
LED SURFACE MOUNT SERIES

Type	
Project	
Catalog No.	



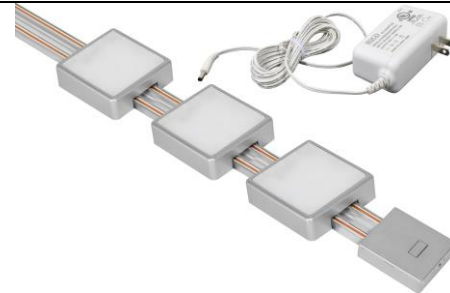
KIT-RZ-T12 RD2 (2 module / 2 foot track kit – Round)



KIT-RZ-T12 SQ2 (2 module / 2 foot track kit – Square)



KIT-RZ-T18 RD3 (3 module / 3 foot track kit – Round)



KIT-RZ-T18 SQ3 (3 module / 3 foot track kit – Square)

DESCRIPTION

The Radianz Track Mount series is an ultra slim track system with high lumen output LED modules that can be repositioned easily by sliding along the track. The KIT-RZ-T1X RDX and KIT-RZ-T1X SQX fixtures are sold separately as complete kits. The kits include: LED modules in round or square options, (1) dimmable track, and mounting clips with screws for wire maintenance. In addition, each track has an onboard on/off dimming switch. The tracks can be combined using the optional linking kit KIT-EXT-T1X up to a total of 24 Watts.

FIXTURE SPECIFICATIONS

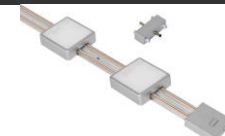
Beam Angle	110°
Voltage	24V DC
Wattage	2W (per module)
Lumens	210 Lm (per module)
Efficacy (lm/W)	105 Lm/W
CRI	80+
Lamp Life	50,000 hours
Housing	Aluminum
Finish	White, Silver
Operating Temp*	-4°F – 95°F
Mounting	Screws
Maximum Run †	11 Fixtures
Environment	Dry
Certifications	c-UL-us (Pending)
Warranty	5 Years – see published warranty terms for detailed information.

† Fixtures are connected via a distribution block.

TRACK EXTENSION KIT



KIT-RZ-EXT-T12 RD2 (Radianz Round Extension Kit)



KIT-RZ-EXT-T12 SQ2 (Radianz Square Extension Kit)

ORDERING INSTRUCTIONS

MODEL	- CCT	- FINISH
KIT-RZ-T12 RD2 – 2' Round Track Kit	- 30	- SV – Silver
KIT-RZ-T12 SQ2 – 2' Square Track Kit	- 30: 3000K	- WH – White
KIT-RZ-T13 RD3 – 3' Round Track Kit		
KIT-RZ-T13 SQ3 – 3' Square Track Kit		
KIT-RZ-EXT-T12 RD2 – 2' Round Track Extension Kit*		
KIT-RZ-EXT-T12 SQ2 – 2' Square Track Extension Kit*		

Example: **KIT-RZ-T12 RD2-30-WH**

* No need to specify finish



www.jescolighting.com
support@jescolighting.com
Tech Support: 855.592.0029

15 Harbor Park Drive
Port Washington, NY 11050
Main Line: 800.527.7796
Fax Line: 855.265.5768

219 South 6th Ave
City of Industry, CA 91746
Main Line: 626.333.3661
Fax Line: 626.333.2955

Rev 63
1/22/2015

Specifications subject to change without notice.

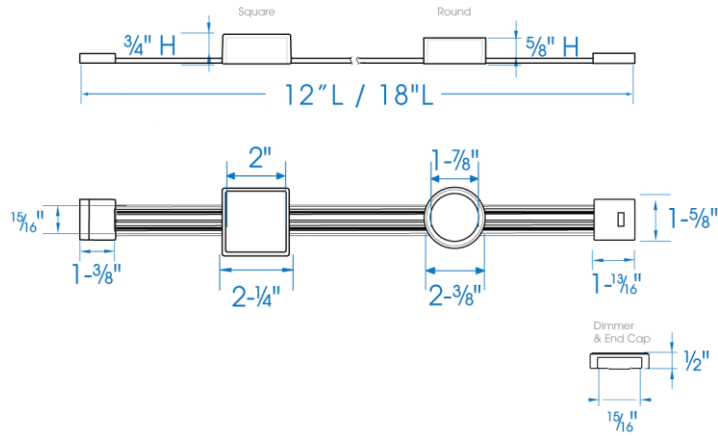


Radianz Track Mount

COVE / CABINET / SHOWCASE / DISPLAY
LED SURFACE MOUNT SERIES

Type	
Project	
Catalog No.	

DIMENSIONS (Nominal)



WIRING DIAGRAM – For reference purposes only. Not for installation. Not to scale.

