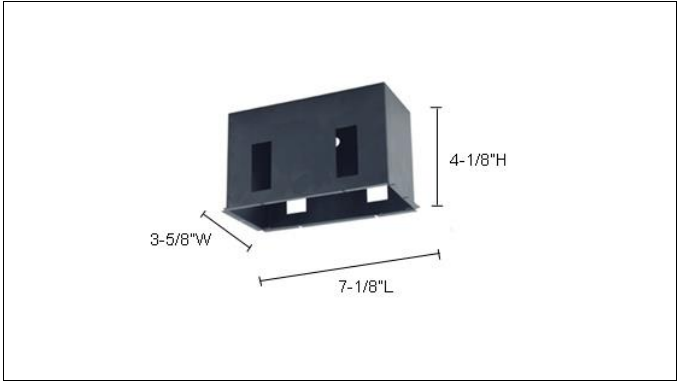




RH24

COVE / CABINET / SHOWCASE / DISPLAY
MINI RECESSED SERIES • HOUSINGS

Type	
Project	
Catalog No.	



CATALOG INFORMATION

MODEL	FINISH
RH24	BK – Black

SPECIFICATIONS

- 1/4" Self Flanged Housing
- Dimensions: 7-1/8"L x 3-5/8"W x 4-1/8"H
- Compact housing is perfect for installation in tight spaces.
- May be powered with a Class 2 Electronic transformer.
- Suitable for cabinets, shelf lighting retail counters, tradeshow and exhibit booths and residential furnishings.
- Not suitable for drywall installations.
- Compatible Trim: RH50

SOCKETS

- SC-6RND:** 6" Socket – White (Round socket for MR16 & MR11 Lamp)
- SC-30RND:** 30" Socket – White (Round socket for MR16 & MR11 Lamp)
- SC-42RND:** 42" Socket – White (Round socket for MR16 & MR11 Lamp)
- SC-54RND:** 54" Socket – White (Round socket for MR16 & MR11 Lamp)
- SC-6REC:** 6" Rectangular Socket (For MR116 & MR11 Lamp)
- SC-6GU:** 6" Round Socket (For MR16 GU10 Lamp. Not compatible with RH43/RH27 trim/housing combination)

ORDERING INSTRUCTIONS

Example: MODEL – FINISH
RH24 – BK

12V TRANSFORMERS

PLUG & PLAY TRANSFORMERS

XF60P3-BK	Transformer with 6-light AMP – 60W
XF60P3-WH	Transformer with 6-light AMP – 60W
XF-60C	Transformer with 1-light AMP – 65W
XF-80C	Transformer with 6-light AMP – 80W
XF-105C	Transformer with 6-light AMP – 105W
XF-150C	Transformer with 6-light AMP – 150W

HARD WIRE TRANSFORMERS

LVT-151-12	Lightech Transformer – 150W
LVT-303-12	Lightech Transformer – 300W



www.jescolighting.com
support@jescolighting.com
Tech Support: 855.592.0029

6625 Traffic Ave
Glendale, NY 11385
Main Line: 800.527.7796
Fax Line: 855.265.5768

219 South 6th Ave
City of Industry, CA 91746
Main Line: 855.654.0110
Fax Line: 626.333.2955

Rev 17
9/30/2013

Specifications subject to change without notice.