



S601

COVE / CABINET / SHOWCASE / DISPLAY
LED SLIM STIX



| | |
|-------------|--|
| Type | |
| Project | |
| Catalog No. | |



DESCRIPTION

The S601 features an ultra slim low profile design giving professionals and non-professionals alike a lighting solution to a variety of applications. High output and easily concealable, the S601 provides unprecedented creative freedom. Units are inter-connectable end-to-end and may be linked using connecting cables. Available in five lengths. Custom sizes are available for larger quantities (4" increments). Two mounting clips and one end cap included with fixture. Patent Pending.

SPECIFICATIONS

| | |
|-------------------------|---|
| CRI | 84 |
| Voltage | 24V DC |
| Operating Temperature * | -22°F to 104°F |
| Beam Angle | 90° |
| Lamp Life | 50,000 hours |
| Maximum Run | 20 ft |
| Housing | AL – Aluminum |
| Environment | Indoor - Dry |
| Certifications |  and  |
| Warranty | 5 Years – see published warranty terms for detailed information. |

* Exceeding the operating temperature values may damage the LEDs by reducing the lifespan, lumen output, and adversely impact color consistency. It is recommended adequate airflow and heatsinking be taken into consideration in the installation and application of this product. Improper thermal management may lead to premature product failure and void the warranty.

LUMEN DATA

| Part Number | Watts (Max) | Color Temp | Lumens | Efficacy (lm/W) |
|-------------|-------------|------------|--------|-----------------|
| S601-08 | 1.9 | 3000-3300K | 160 | 84 |
| | | 4000-4300K | 168 | 88 |
| | | 6000-6500K | 175 | 92 |
| S601-12 | 2.9 | 3000-3300K | 230 | 79 |
| | | 4000-4300K | 246 | 84 |
| | | 6000-6500K | 255 | 87 |
| S601-24 | 6.0 | 3000-3300K | 490 | 81 |
| | | 4000-4300K | 502 | 83 |
| | | 6000-6500K | 520 | 86 |
| S601-36 | 8.9 | 3000-3300K | 710 | 79 |
| | | 4000-4300K | 810 | 91 |
| | | 6000-6500K | 820 | 92 |
| S601-48 | 12 | 3000-3300K | 900 | 75 |
| | | 4000-4300K | 1010 | 84 |
| | | 6000-6500K | 1030 | 86 |

FEATURES

- Integrated constant current circuitry ensures all LEDs operate at the same voltage for maximum light levels and consistent color temperatures.
- Extruded aluminum housing and lens assures even light output while protecting LEDs.
- Unique mounting clips allow for 30° rotation.

APPLICATIONS

- Cove and soffit lighting
- Path and contour marking
- Display lighting
- Under-shelf and under-cabinet lighting
- Accent and edge lighting
- Backlighting
- Signage



www.jescolighting.com
support@jescolighting.com
Tech Support: 855.592.0029

15 Harbor Park Drive
Port Washington, NY 11050
Main Line: 800.527.7796
Fax Line: 855.265.5768

219 South 6th Ave
City of Industry, CA 91746
Main Line: 855.654.0110
Fax Line: 626.333.2955

Specifications subject to change without notice.

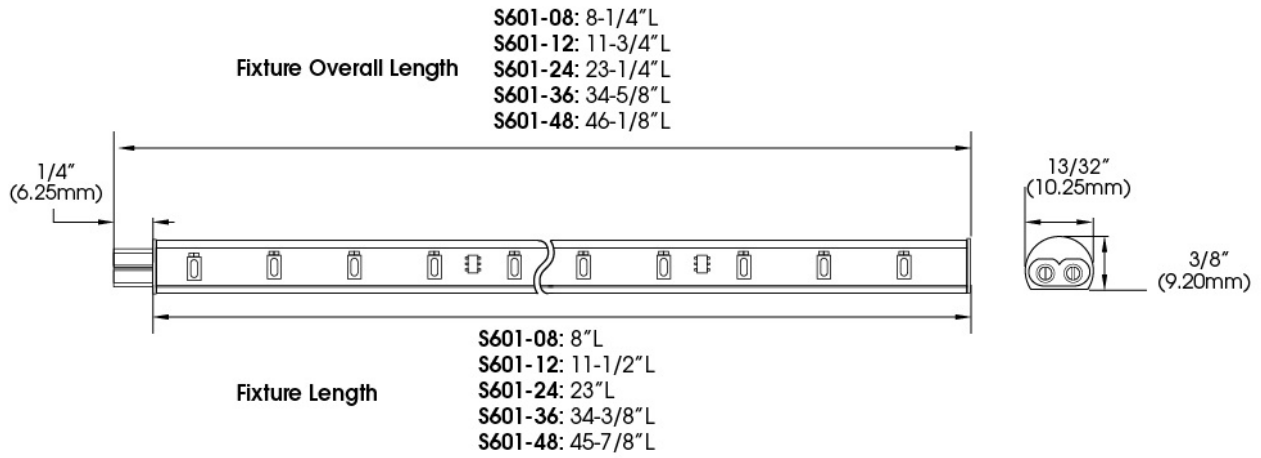


S601

COVE / CABINET / SHOWCASE / DISPLAY
LED SLIM STIX

| | |
|-------------|--|
| Type | |
| Project | |
| Catalog No. | |

DIMENSIONS



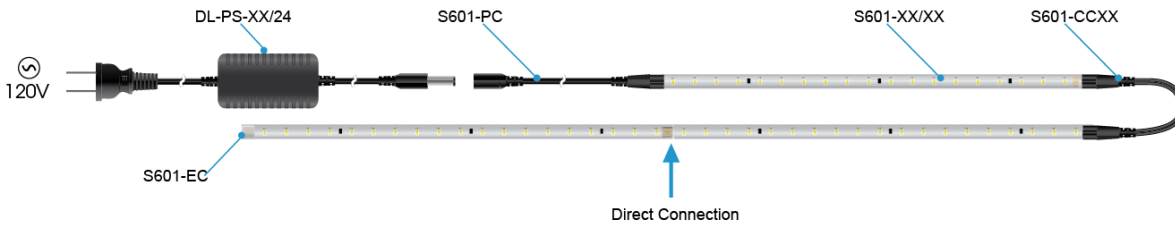
ORDERING INFORMATION

| MODEL | LENGTH | COLOR |
|-------|----------------|-----------------|
| S601 | | |
| | 08 : 8 in | 30 : 3000-3300K |
| | 12 : 11-1/2 in | 40 : 4000-4300K |
| | 24 : 23 in | 60 : 6000-6500K |
| | 36 : 34-3/8 in | |
| | 48 : 45-7/8 in | |

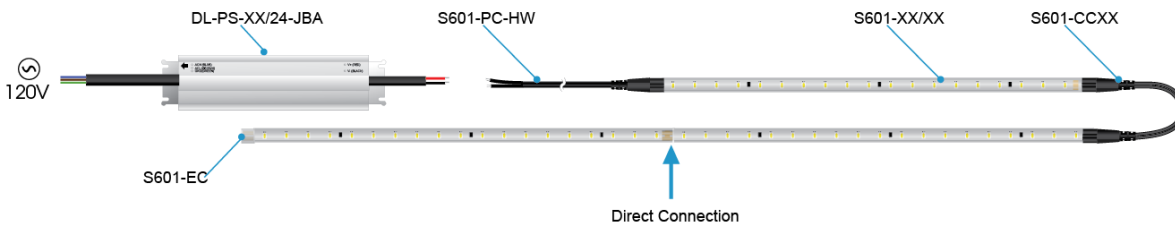
Example : S601-08/30

WIRING DIAGRAMS – For reference purposes only. Not for installation. Not to scale.

1 PLUG AND PLAY



2 HARD WIRE





S601

**COVE / CABINET / SHOWCASE / DISPLAY
LED SLIM STIX**

| | |
|-------------|--|
| Type | |
| Project | |
| Catalog No. | |

POWER SUPPLIES – See Specification Sheets for more information.

If the Max Load of a power supply exceeds the fixture's Max Run, then you may install multiple runs per given power supply.
 Wattage = Max power capacity of power supply. May need to be de-rated if operating at max temperature.
 Max Load = Fixture quantity a power supply can power.
 Max Run = Maximum length of a single run.

| Hard-Wire Power Supplies Dry Location UL Listed (with Junction Box) | | S601-08 Max Run : 20 ft 1.9 W Max | S601-12 Max Run : 20 ft 2.9 W Max | S601-24 Max Run : 20 ft 6.0 W Max | S601-36 Max Run : 20 ft 8.9 W Max | S601-48 Max Run : 20 ft 12.0 W Max |
|---|---------|---|---|---|---|--|
| Model Number | Wattage | Max Load | Max Load | Max Load | Max Load | Max Load |
| DL-PS-20/24-JBA | 20 | 9 | 6 | 3 | 2 | 1 |
| DL-PS-60/24-JBA | 60 | 28 | 18 | 9 | 6 | 4 |
| DL-PS-96/24-JBA | 96 | 45 | 29 | 14 | 9 | 7 |

| Hard-Wire Power Supplies Wet, Damp, or Dry Location UL Listed (with Junction Box) | | S601-08 Max Run : 20 ft 1.9 W Max | S601-12 Max Run : 20 ft 2.9 W Max | S601-24 Max Run : 20 ft 6.0 W Max | S601-36 Max Run : 20 ft 8.9 W Max | S601-48 Max Run : 20 ft 12.0 W Max |
|---|---------|---|---|---|---|--|
| Model Number | Wattage | Max Load | Max Load | Max Load | Max Load | Max Load |
| DL-PS-80/24-JB-OD | 80 | 37 | 24 | 12 | 8 | 6 |
| DL-PS-96/24-JB-OD | 96 | 45 | 29 | 14 | 9 | 7 |

| Plug and Play Power Supplies Dry Location UL Listed | | S601-08 Max Run : 20 ft 1.9 W Max | S601-12 Max Run : 20 ft 2.9 W Max | S601-24 Max Run : 20 ft 6.0 W Max | S601-36 Max Run : 20 ft 8.9 W Max | S601-48 Max Run : 20 ft 12.0 W Max |
|---|---------|---|---|---|---|--|
| Model Number | Wattage | Max Load | Max Load | Max Load | Max Load | Max Load |
| DL-PS-WP24/24 | 24 | 11 | 7 | 3 | 2 | 1 |
| DL-PS-24/24 | 24 | 11 | 7 | 3 | 2 | 1 |
| DL-PS-48/24 | 48 | 22 | 14 | 7 | 4 | 3 |
| DL-PS-60/24 | 60 | 28 | 18 | 9 | 6 | 4 |
| DL-PS-100/24 | 90 | 42 | 27 | 13 | 9 | 6 |
| DL-PS-100/24-CL2 * | 96 | 45 | 29 | 14 | 9 | 7 |

* Class 2

| Hard-Wire Dimmable Power Supplies Dry Location UL Listed (with Junction Box) | | S601-08 Max Run : 20 ft 1.9 W Max | S601-12 Max Run : 20 ft 2.9 W Max | S601-24 Max Run : 20 ft 6.0 W Max | S601-36 Max Run : 20 ft 8.9 W Max | S601-48 Max Run : 20 ft 12.0 W Max |
|--|---------|---|---|---|---|--|
| Model Number | Wattage | Max Load | Max Load | Max Load | Max Load | Max Load |
| DL-PS-40/24-JB-DIM | 40 | 19 | 12 | 6 | 4 | 3 |
| DL-PS-60/24-JB-DIM | 60 | 28 | 18 | 9 | 6 | 4 |
| DL-PS-96/24-JB-DIM | 96 | 45 | 29 | 14 | 9 | 7 |







S601

COVE / CABINET / SHOWCASE / DISPLAY
LED SLIM STIX


| | |
|-------------|--|
| Type | |
| Project | |
| Catalog No. | |


POWER ACCESSORIES & COMPONENTS

| | Part Number | Description |
|---|----------------------|--|
|  | S601-PC S601-PCWH | Plug and Play Power Connector 18AWG, 18" L Black White |
|  | S601-SW | Plug and Play Switch Box On/Off switch 1-5/8"L x 1-1/4"W x 1"H |

| | Part Number | Description |
|---|-------------|--|
|  | S601-PC-HW | Hard-Wire Power Connector 18AWG, 12" L |
|  | S601-EC | End Cap Inserts over the end of fixture or run for a finished look. (1) Included with each fixture. |

CONNECTION ACCESSORIES

| | Part Number | Description |
|---|--------------------|---|
|  | S601-CC3-BK or WH | 3" Connecting Cable, black or white finish |
| | S601-CC6-BK or WH | 6" Connecting Cable, black or white finish |
| | S601-CC12-BK or WH | 12" Connecting Cable, black or white finish |
| | S601-CC15-WH | 15" Connecting Cable, white finish |
| | S601-CC24-BK or WH | 24" Connecting Cable, black or white finish |
| | S601-CC48-BK or WH | 48" Connecting Cable, black or white finish |

| | Part Number | Description |
|---|---------------|-----------------------------|
|  | S601-FLEX-CON | 0 - 180° flexible connector |

DIMMING OPTIONS

| | |
|-----------------|---|
| DS-DV-TV-WH | Wall-Plate Dimmer |
| LC-DIM5A | 0-10V Plug & Play Dimmer |
| LC-DIM5A-HW | 0-10V Hardwire Dimmer |
| LC-DIM100-RF | Plug & Play Remote Step Dimmer |
| LC-DIM100-RF-HW | Hardwire Remote Step Dimmer |
| LC-200-RPT | Power Repeater |
| LC-DIM200-RF-HW | Simple Hand-held Radio Frequency Dimmer Controller |
| LC-RF-400H-DIM | Hand-held Radio Frequency Dimmer Controller |
| LC-RF-400W-DIM | Wall Mounted Radio Frequency Dimmer Controller |
| LC-RF-402W-DIM | Wall Mounted Dual Radio Frequency Dimmer Controller |
| LC-RF-400-RCV | Radio Frequency Receiver |

See our complete line of remote, wall mounted and hand-held [DIMMING OPTIONS](#) online for more information.







S601

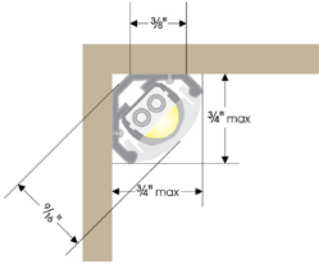

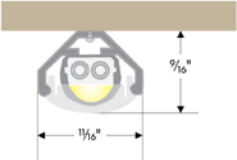
COVE / CABINET / SHOWCASE / DISPLAY
LED SLIM STIX

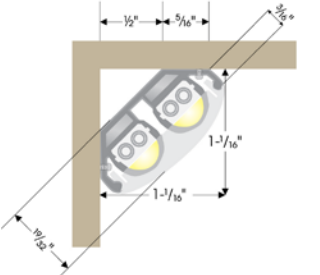

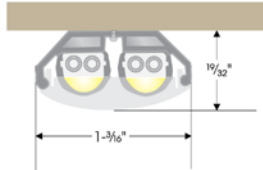
| | |
|-------------|--|
| Type | |
| Project | |
| Catalog No. | |

MOUNTING ACCESSORIES

| | Part Number | Description |
|---|-------------|---|
|  | S601-MC | Mounting Clip Sold as a pair (2) included with each fixture |
| | S601-CLASP | Clear Plastic Clasp (Press fit) Required when using the mounting channel in downward orientation |

| | Part Number | Description |
|---|---------------|--|
|  | ACC-MT-MAG-02 | 3/8" Magnet May be applied to S601-MC or S601 fixture. Recommended 1 magnet per foot. |
| | | |

| Part Number | Description |
|---|--|
| S601-CH6* S601-CH6 Channel - RECESSED | 6' Mounting Channel May be installed at a 0° angle or 45° angle. Field cuttable. Single run of S601 fixture |
|  |  |
| S601-CH6 Channel - SURFACE MOUNTED |  |

| Part Number | Description |
|--|--|
| S601-CH6T* S601-CH6T Channel - RECESSED | 6' Twin Mounting Channel May be installed at a 0° angle or 45° angle. Field cuttable. Parallel runs of S601 fixture |
|  |  |
| S601-CH6T Channel - SURFACE MOUNTED |  |

*Mounts with screws (by others), recommended 6 per feet.

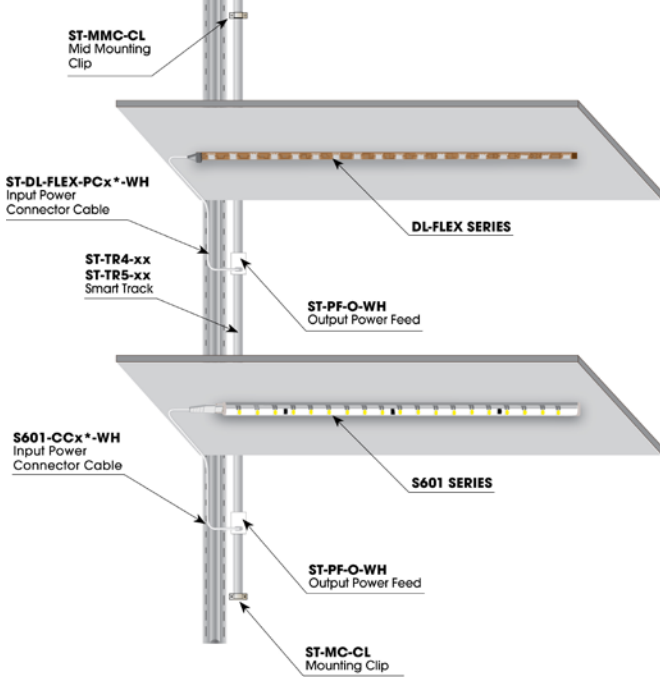


S601

COVE / CABINET / SHOWCASE / DISPLAY
LED SLIM STIX

| | |
|-------------|--|
| Type | |
| Project | |
| Catalog No. | |

SMART TRACK SYSTEM



ST-PF-O-WH
Output Power Feed
Voltage: 24V DC
Max Load: 72W
Dimensions: 1"W x 1"H x 1"L
Material: Plastic
Color: WH-White



ST-PF-I-WH
Input Power Feed
Voltage: 24V DC
Max Load: 100W
Dimensions: 1"W x 1"H x 1-1/2"L
Material: Plastic
Color: WH-White



Input Power Connector Cable
Connects S601 series to ST-PF-O

| Part Number | Length | Finish |
|--------------|--------|--------|
| S601-CC15-WH | 15 in | White |
| S601-CC24-WH | 24 in | White |



Input Power Connector Cable
Connects DL-FLEX series to ST-PF-O

| Part Number | Length | Finish |
|--------------------|--------|--------|
| ST-DL-FLEX-PC15-WH | 15 in | White |
| ST-DL-FLEX-PC24-WH | 24 in | White |



ST-MC-CL
Mounting Clip for ST track
Dimensions: 1-1/16" W x 3/8" H x 1/2" L
Can only attach to the ends of the Smart Track
(2) included with Smart Track



ST-PF-O-CC2-WH
Connecting cable for output power feed
Joins two tracks
Length: 2-1/4"



ST-MMC-CL
Mid Mounting Clip for ST track
Dimensions: 1-1/16" W x 3/8" H x 1/2" L
Applied to the middle of Smart Track for added stability.
(3) included with Smart Track



ST-TRx-xx
Smart Track

| Part Number | Length | Finish |
|-------------|---------|----------------|
| ST-TR4-xx | 47-1/4" | White or Clear |
| ST-TR5-xx | 60" | White or Clear |
| ST-TR8-CL | 96" | Clear |