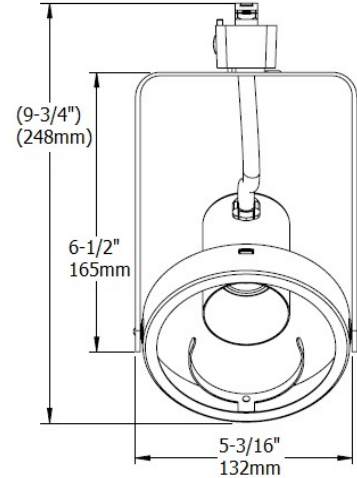
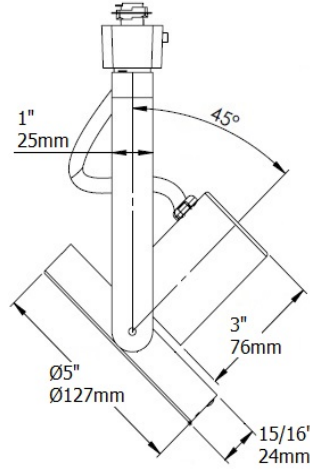
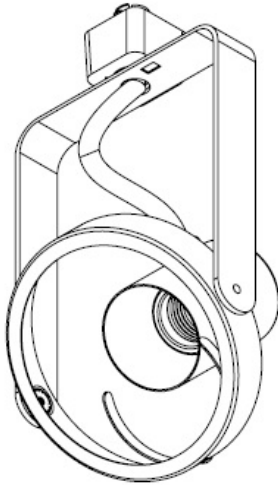




**HV238**

**PAR38 GIMBAL TRACK LUMINAIRE**

Type	
Project	
Catalog No.	



**DESCRIPTION**

PAR38 Halogen or LED track fixture in a minimal yet functional open gimbal ring design. Suitable for residential, retail or hospitality application.

**CONSTRUCTION**

- Molded polycarbonate track fitting.
- Spring loaded locking tab.
- Steel yoke, gimbal ring and socket cover.
- Powder coat paint.
- 350° horizontal, ±90° vertical aim adjustment.

**MOUNTING**

Selection of three track fittings. Provides electrical and mechanical connection to single or two circuit track systems.

**ELECTRICAL**

Porcelain socket, E26 medium base. Integral ON/OFF switch.

**DIMMING**

JESCO HV238 track luminaire is compatible with most dimming protocols prevalent in the United States. Please consult lamp manufacturer for latest compatibility information.

**LAMPS**

Halogen or LED PAR38, E26 medium base 120V 250W max.

**LABELS**

cULus Listed

**WARRANTY**

18 months

**ORDERING INFORMATION**

SYSTEM	SERIES	FINISH
H2 = Jesco H1 Track or Halo <sup>1</sup> Power-Trac	HV238	BK – Black
L2 = Jesco L Track or Lightolier <sup>2</sup> Lytespan Track		WT – White
J2 = Jesco J1, J2 or Juno <sup>3</sup> Trac-Master		
	HV238	

Notes:  
<sup>1</sup>Halo is a registered trademark of Cooper Lighting.  
<sup>2</sup>Lightolier is a registered trademark of Philips Lighting.  
<sup>3</sup>Juno is a registered trademark of Juno Lighting.



www.jescolighting.com  
support@jescolighting.com  
**Tech Support:** 855.592.0029

15 Harbor Park Drive  
Port Washington, NY 11050  
**Main Line:** 800.527.7796  
**Fax Line:** 855.265.5768

219 South 6<sup>th</sup> Ave  
City of Industry, CA 91746  
**Main Line:** 855.654.0110  
**Fax Line:** 626.333.2955

Specifications subject to change without notice.