



S601

COVE / CABINET / SHOWCASE / DISPLAY
LED SLIM STIX

Type	
Project	
Catalog No.	



DESCRIPTION

The S601 features an ultra slim low profile design giving professionals and non-professionals alike a lighting solution to a variety of applications. High output and easily concealable, the S601 provides unprecedented creative freedom. Units are inter-connectable end-to-end and may be linked using connecting cables. Available in five lengths. Custom sizes are available for larger quantities (4" increments). Two mounting clips and one end cap included with fixture. Patent Pending.

SPECIFICATIONS

CRI	84
Voltage	24V DC
Operating Temperature *	-22°F to 104°F
Beam Angle	90°
Lamp Life	50,000 hours
Maximum Run	20 ft
Housing	AL – Aluminum
Environment	Indoor - Dry
Certifications	
Warranty	5 Years – see published warranty terms for detailed information.

* Exceeding the operating temperature values may damage the LEDs by reducing the lifespan, lumen output, and adversely impact color consistency. It is recommended adequate airflow and heatsinking be taken into consideration in the installation and application of this product. Improper thermal management may lead to premature product failure and void the warranty.

LUMEN DATA

Part Number	Watts (Max)	Color Temp	Lumens	Efficacy (lm/W)
S601-08	1.9	3000-3300K	160	84
		4000-4300K	168	88
		6000-6500K	175	92
S601-12	2.9	3000-3300K	230	79
		4000-4300K	246	84
		6000-6500K	255	87
S601-24	6.0	3000-3300K	490	81
		4000-4300K	502	83
		6000-6500K	520	86
S601-36	8.9	3000-3300K	710	79
		4000-4300K	810	91
		6000-6500K	820	92
S601-48	12	3000-3300K	900	75
		4000-4300K	1010	84
		6000-6500K	1030	86

FEATURES

- Integrated constant current circuitry ensures all LEDs operate at the same voltage for maximum light levels and consistent color temperatures.
- Extruded aluminum housing and lens assures even light output while protecting LEDs.
- Unique mounting clips allow for 30° rotation.

APPLICATIONS

- Cove and soffit lighting
- Path and contour marking
- Display lighting
- Under-shelf and under-cabinet lighting
- Accent and edge lighting
- Backlighting
- Signage



www.jescolighting.com
support@jescolighting.com
Tech Support: 855.592.0029

15 Harbor Park Drive
Port Washington, NY 11050
Main Line: 800.527.7796
Fax Line: 855.265.5768

219 South 6th Ave
City of Industry, CA 91746
Main Line: 855.654.0110
Fax Line: 626.333.2955

Specifications subject to change without notice.

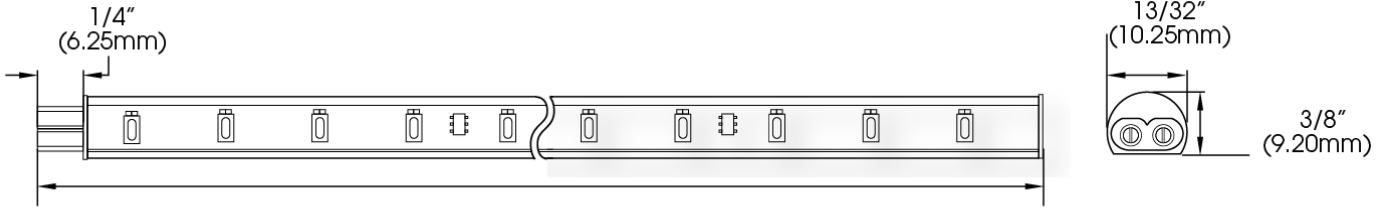


S601

COVE / CABINET / SHOWCASE / DISPLAY
LED SLIM STIX

Type	
Project	
Catalog No.	

DIMENSIONS



S601-08: 8"L / **S601-12:** 11-1/2"L / **S601-24:** 23"L / **S601-36:** 34-3/8"L / **S601-48:** 45-7/8"L

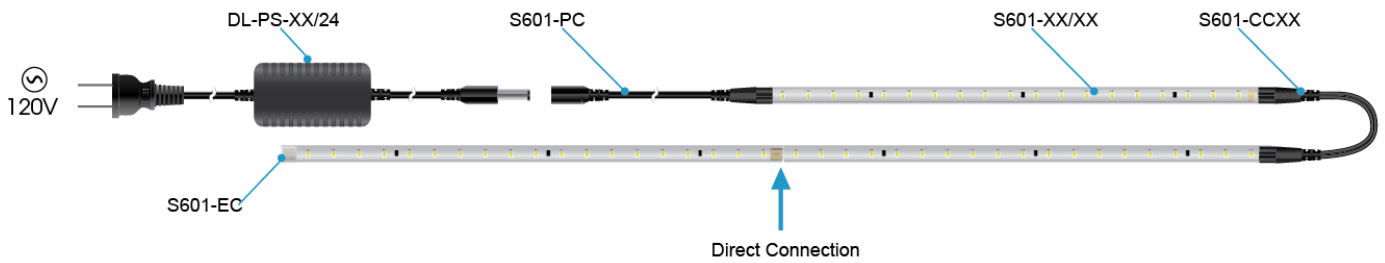
ORDERING INFORMATION

MODEL	LENGTH	COLOR
S601		
	08 : 8 in	30 : 3000-3300K
	12 : 11-1/2 in	40 : 4000-4300K
	24 : 23 in	60 : 6000-6500K
	36 : 34-3/8 in	
	48 : 45-7/8 in	

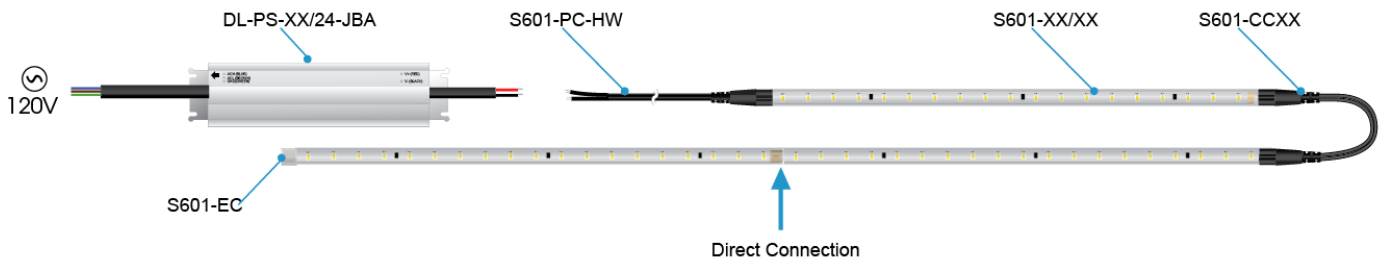
Example : S601-08/30

WIRING DIAGRAMS – For reference purposes only. Not for installation. Not to scale.

1 PLUG AND PLAY



2 HARD WIRE



**S601****COVE / CABINET / SHOWCASE / DISPLAY
LED SLIM STIX**

Type	
Project	
Catalog No.	

POWER SUPPLIES – See Specification Sheets for more information.

If the Max Load of a power supply exceeds the fixture's Max Run, then you may install multiple runs per given power supply.

Wattage = Max power capacity of power supply. May need to be de-rated if operating at max temperature.

Max Load = Fixture quantity a power supply can power.

Max Run = Maximum length of a single run.

Hard-Wire Power Supplies Dry Location UL Listed (with Junction Box)		S601-08 Max Run : 20 ft 1.9 W Max	S601-12 Max Run : 20 ft 2.9 W Max	S601-24 Max Run : 20 ft 6.0 W Max	S601-36 Max Run : 20 ft 8.9 W Max	S601-48 Max Run : 20 ft 12.0 W Max
Model Number	Wattage	Max Load	Max Load	Max Load	Max Load	Max Load
DL-PS-20/24-JBA	20	9	6	3	2	1
DL-PS-60/24-JBA	60	28	18	9	6	4
DL-PS-96/24-JBA	96	45	29	14	9	7

Hard-Wire Power Supplies Wet, Damp, or Dry Location UL Listed (with Junction Box)		S601-08 Max Run : 20 ft 1.9 W Max	S601-12 Max Run : 20 ft 2.9 W Max	S601-24 Max Run : 20 ft 6.0 W Max	S601-36 Max Run : 20 ft 8.9 W Max	S601-48 Max Run : 20 ft 12.0 W Max
Model Number	Wattage	Max Load	Max Load	Max Load	Max Load	Max Load
DL-PS-80/24-JB-OD	80	37	24	12	8	6
DL-PS-96/24-JB-OD	96	45	29	14	9	7

Plug and Play Power Supplies Dry Location UL Listed		S601-08 Max Run : 20 ft 1.9 W Max	S601-12 Max Run : 20 ft 2.9 W Max	S601-24 Max Run : 20 ft 6.0 W Max	S601-36 Max Run : 20 ft 8.9 W Max	S601-48 Max Run : 20 ft 12.0 W Max
Model Number	Wattage	Max Load	Max Load	Max Load	Max Load	Max Load
DL-PS-WP24/24	24	11	7	3	2	1
DL-PS-24/24	24	11	7	3	2	1
DL-PS-48/24	48	22	14	7	4	3
DL-PS-60/24	60	28	18	9	6	4
DL-PS-100/24	90	42	27	13	9	6
DL-PS-100/24-CL2 *	96	45	29	14	9	7

* Class 2

Hard-Wire Dimmable Power Supplies Dry Location UL Listed (with Junction Box)		S601-08 Max Run : 20 ft 1.9 W Max	S601-12 Max Run : 20 ft 2.9 W Max	S601-24 Max Run : 20 ft 6.0 W Max	S601-36 Max Run : 20 ft 8.9 W Max	S601-48 Max Run : 20 ft 12.0 W Max
Model Number	Wattage	Max Load	Max Load	Max Load	Max Load	Max Load
DL-PS-40/24-JB-DIM	40	19	12	6	4	3
DL-PS-60/24-JB-DIM	60	28	18	9	6	4
DL-PS-96/24-JB-DIM	96	45	29	14	9	7







S601

**COVE / CABINET / SHOWCASE / DISPLAY
LED SLIM STIX**


Type	
Project	
Catalog No.	


POWER ACCESSORIES & COMPONENTS

	Part Number	Description
	S601-PC S601-PCWH	Plug and Play Power Connector 18AWG, 18" L Black White
	S601-SW	Plug and Play Switch Box On/Off switch 1-5/8"L x 1-1/4"W x 1"H

	Part Number	Description
	S601-PC-HW	Hard-Wire Power Connector 18AWG, 12" L
	S601-EC	End Cap Inserts over the end of fixture or run for a finished look. (1) Included with each fixture.

CONNECTION ACCESSORIES

	Part Number	Description
	S601-CC3-BK or WH	3" Connecting Cable, black or white finish
	S601-CC6-BK or WH	6" Connecting Cable, black or white finish
	S601-CC12-BK or WH	12" Connecting Cable, black or white finish
	S601-CC15-WH	15" Connecting Cable, white finish
	S601-CC24-BK or WH	24" Connecting Cable, black or white finish
	S601-CC48-BK or WH	48" Connecting Cable, black or white finish

	Part Number	Description
	S601-FLEX-CON	0 - 180° flexible connector

DIMMING OPTIONS

DS-DV-TV-WH	Wall-Plate Dimmer
LC-DIM5A	0-10V Plug & Play Dimmer
LC-DIM5A-HW	0-10V Hardwire Dimmer
LC-DIM100-RF	Plug & Play Remote Step Dimmer
LC-DIM100-RF-HW	Hardwire Remote Step Dimmer
LC-200-RPT	Power Repeater
LC-DIM200-RF-HW	Simple Hand-held Radio Frequency Dimmer Controller
LC-RF-400H-DIM	Hand-held Radio Frequency Dimmer Controller
LC-RF-400W-DIM	Wall Mounted Radio Frequency Dimmer Controller
LC-RF-402W-DIM	Wall Mounted Dual Radio Frequency Dimmer Controller
LC-RF-400-RCV	Radio Frequency Receiver

See our complete line of remote, wall mounted and hand-held [DIMMING OPTIONS](#) online for more information.







S601

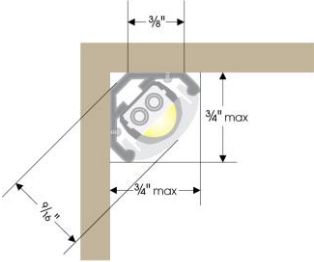

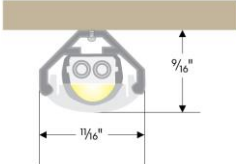
COVE / CABINET / SHOWCASE / DISPLAY
LED SLIM STIX

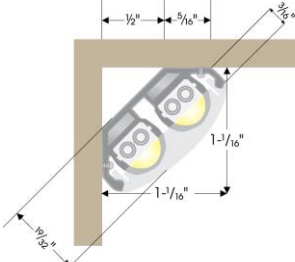

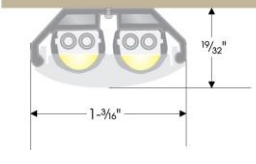
Type	
Project	
Catalog No.	

MOUNTING ACCESSORIES

	Part Number	Description
	S601-MC	Mounting Clip Sold as a pair (2) included with each fixture
	S601-CLASP	Clear Plastic Clasp Required when using the mounting channel in downward orientation

	Part Number	Description
	ACC-MT-MAG-02	3/8" Magnet May be applied to S601-MC or S601 fixture. Recommended 1 magnet per foot.

Part Number	Description
S601-CH6 S601-CH6 Channel - RECESSED	6' Mounting Channel May be installed at a 0° angle or 45° angle. Field cuttable. Single run of S601 fixture
	
S601-CH6 Channel - SURFACE MOUNTED	
	

Part Number	Description
S601-CH6T S601-CH6T Channel - RECESSED	6' Twin Mounting Channel May be installed at a 0° angle or 45° angle. Field cuttable. Parallel runs of S601 fixture
	
S601-CH6T Channel - SURFACE MOUNTED	
	

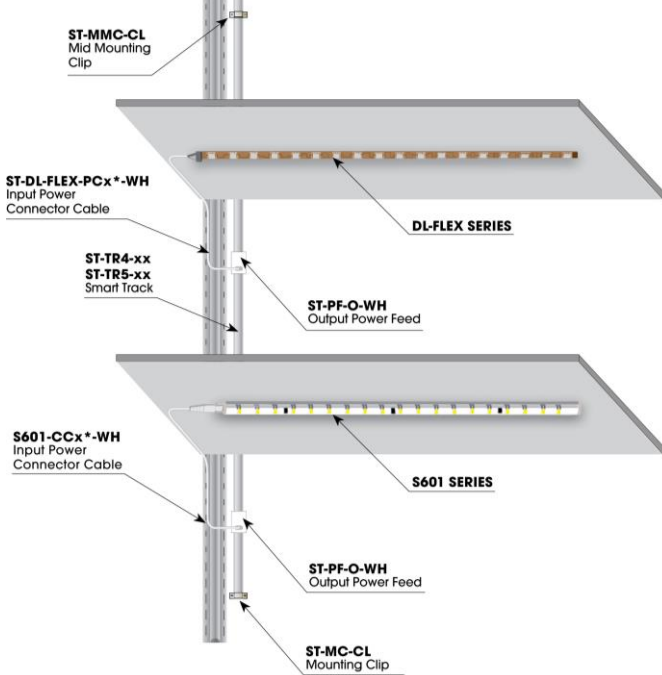


S601

**COVE / CABINET / SHOWCASE / DISPLAY
LED SLIM STIX**

Type	
Project	
Catalog No.	

SMART TRACK SYSTEM



ST-PF-O-WH
Output Power Feed
Voltage: 24V DC
Max Load: 72W
Dimensions: 1"W x 1"H x 1"L
Material: Plastic
Color: WH-White



ST-PF-I-WH
Input Power Feed
Voltage: 24V DC
Max Load: 100W
Dimensions: 1"W x 1"H x 1-1/2"L
Material: Plastic
Color: WH-White



Input Power Connector Cable
Connects S601 series to ST-PF-O

Part Number	Length	Finish
S601-CC15-WH	15 in	White
S601-CC24-WH	24 in	White



Input Power Connector Cable
Connects DL-FLEX series to ST-PF-O

Part Number	Length	Finish
ST-DL-FLEX-PC15-WH	15 in	White
ST-DL-FLEX-PC24-WH	24 in	White



ST-MC-CL
Mounting Clip for ST track
Dimensions: 1-1/16" W x 3/8" H x 1/2" L
Can only attach to the ends of the Smart Track
(2) included with Smart Track



ST-PF-O-CC2-WH
Connecting cable for output power feed
Joins two tracks
Length: 2-1/4"



ST-MMC-CL
Mid Mounting Clip for ST track
Dimensions: 1-1/16" W x 3/8" H x 1/2" L
Applied to the middle of Smart Track for added stability.
(3) included with Smart Track



ST-TRx-xx
Smart Track

Part Number	Length	Finish
ST-TR4-xx	47-1/4"	White or Clear
ST-TR5-xx	60"	White or Clear
ST-TR8-CL	96"	Clear