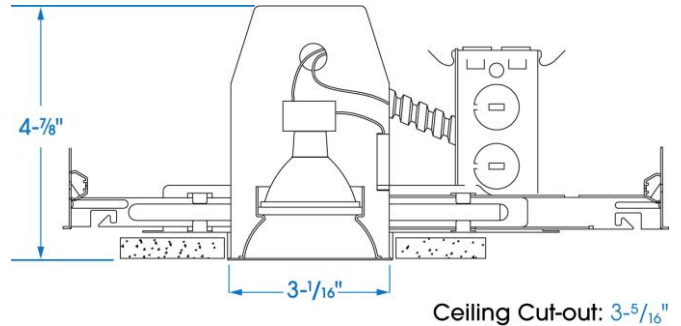




RS3001B

RECESSED LIGHTING
3" APERTURE LINE VOLTAGE HOUSINGS

Type	
Project	
Catalog No.	



DESCRIPTION

Designed for new construction applications, this 3" downlight is ideal for accent and task lighting. The housing adjusts for ceiling thickness of up to 1 1/4" and the hanger bars can extend up to 24" allowing for extra distance between joists. It can be installed in either a damp or dry location but requires at least 3" clearance from ceiling insulation. The luminaire accepts a 35W 120VAC GU10 MR16 lamp, a wide assortment of trims is available and sold separately.

FEATURES

- Galvanized steel housing 4 13/16" high can easily be used with 2" x 6" joist. Galvanized steel mounting frame measures 8" x 5 1/2".
- Self resetting thermal protector protects against overheating from improper lamping or insulation.
- Junction box is UL listed for branch circuit wiring and come with 5 1/2" knockouts and 4 knockouts with romex cable clamps
- Hanger bars can extend up to 24", score lines allow for toolless shortening. They can be repositioned 90° can come with come with integral T-bar clips.
- Ceramic socket with aluminum heat shield for 120V MR16 with GU10 base.
- UL listed for damp locations

SPECIFICATIONS

Model	RS3001B
Input Voltage	120 VAC
Wattage Max	35 W
Dimming	With line voltage incandescent dimmer
Dimensions (without bar hangers)	8"L x 5-1/2" W x 4-7/8" H
Cut-Out	3-5/16" Ø
Environment	Indoor, Damp
Certifications	c-UL-us
Warranty	5 Years – see published warranty terms for detailed information.

ORDERING INFORMATION

MODEL
RS3001B